

**VISIX 5MP, Fixed 2.8mm Lens, In-door/Outdoor Vandal Proof Mini-dome with IR and True WDR, Audio and Mic. IP67/IK10 rated.**

The VX-5M28-MD-IAW is 5 Megapixel, in-door/outdoor, mini-dome IP camera. This camera is IK10 vandal resistant, has 120dB WDR, audio, and built-in IR making the VX-5M28-MD-IAW a versatile camera fitting most every entry-level indoor/outdoor installation requirements.

The VX-5M28-MD-IAW is compatible with the entire VIGIL Software Suite, including direct access through VIGIL Client and our mobile app View Lite II, as well as with VIGIL Central Management for remote health monitoring and notification.

The VX-5M28-MD-IAW also supports dual streaming. This combined with VIGIL Server's Substream Motion Detection and RapidStream technologies allows the camera to be viewed remotely in both live and playback modes with minimal impact on your network.

## Typical Use Cases



**K-12  
EDUCATION**



**WAREHOUSE &  
DISTRIBUTION**



**MALL/MEDIUM  
BUSINESS**



## Key Features and Benefits

VIGIL CLOUD™	✓
Lens	2.8mm Fixed
Resolution (MegaPixel)	5
IR Range	30m
Audio (Mic)	✓
H.264/H.265/MJPEG	✓
Wide Dynamic Range	120 dB
IK10 Impact-Resistant	✓
IP67 Weather-Resistant	✓
4 Year Warranty	✓
Base Analytics	✓

## What's in the Box

Template Sheet  
Torx Wrench  
Waterproof Cap & Gasket  
Screws & Anchors  
Mount Bolts & Nuts

## Camera

Image Sensor	1/2.8" 5.14M CMOS (Sony Starvis)
Lens	2.8 mm, F1.8
Motorized?	No
Angle of View	D : 125.5°, H : 102.4°, V : 77.4°
Min Illum	0.06 Lux, 0Lux with IR (F1.8)
IR Range	30m
Shutter Time	1/15 ~ 1/32000
Day/Night	TDN (True Day & Night)
WDR	120dB

## Compression Standard

Video Compression	H.264, H.265, MJPEG
Bit Rate	100Kbps ~ 10Mbps
Video Streams	2592x1944p30 + 480p30

## Image

Max Resolution	2592 x1944
Frame Rate	30fps

## Functions

Alarm Triggers	Motion Alarm, Network disconnection, Temperature critical
Local Storage	Micro SD / SDHC / SDXC
SD Card Capacity	128GB
Security Protocols	HTTPS(SSL), IP filtering, 802.1x, Digest Authentication, TCP/IP, UDP, AutoIP, RTP(UDP/TCP), RTSP, NTP, HTTP, HTTPS, SSL, DNS, DDNS, DHCP, FTP, SMTP, ICMP, SNMPv1/v2/v3(MIB-2), ONVIF
Sys. Compatibility	CGI API, ONVIF (Profile S)

## Physical

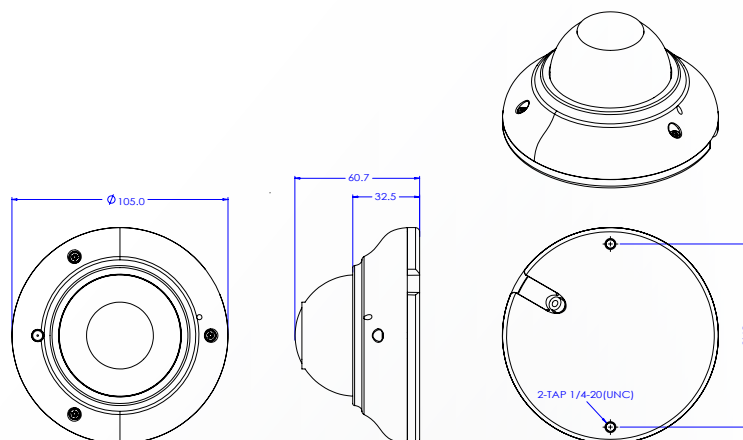
Op. Conditions	-30°C ~ 50°C (-22°F ~ 122°F)
Humidity	10~90% RH (non-condensing)
Weather Proofing	IP67
Impact Protection	IK10
Housing Material	Aluminum
Dome Material	Lexan 143R
Dimensions (D x H)	Ø105 x 60.7 mm
Weight	0.36kg

## Electrical

Power Supply	DC DC12V / POE IEEE 802.3af class2
Power Consump.	DC12V Max 6W / PoE Max 7.2W

## Certifications and Compliance

FCC Part 15, Subpart B, Class B  
 CAN ICES-3 (A)/NMB-3(A)  
 UL and ULC Safety  
 CE  
 NDAA Compliant



## Interface

Communication	RJ45(10/100BASE-T)
Audio Input	On-Board Mic
Audio Output	1
Alarm In	1
Alarm Out	1

## Part Number

VX-5M28-MD-IAW	Base Camera
VX-5M28-MD-IAW-A	Add Advanced Analytics License *
-C128	VIGIL CLOUD Capable with 128GB SD Card
-C256	VIGIL CLOUD Capable with 256GB SD Card
-S128	All-in-One Functionality with 128GB SD Card
-S256	All-in-One Functionality with 256GB SD Card
-S512	All-in-One Functionality with 512GB SD Card
-S1TB	All-in-One Functionality with 1TB SD Card

## Warranty

Four (4) years

## Recommended Mounts

VX-PM-BC11	Pendant Mount
VX-WM-BW11	Wall Mount
VX-GP-02	Gang Plate Mount
VX-JB-BJC04	Junction Box
VX-PM-BC11-KIT	Pendant Mount Kit

\* **NOTE:** - A advanced analytics license can be added to a Base Camera at any time to unlock advanced analytics functionality. Speak to a 3xLOGIC Sales Associate for more info.