

VISIX 8MP Indoor/Outdoor Dome with Remote Focus (3.6-10mm), IR, Audio and Alarm I/O, and True WDR. IP66/IK10 rated

The VX-8M-OD-RIAW is 8 Megapixel, IP67 rated IP camera with a remote focus lens, allowing for flexibility on installation. In addition to being outdoor rated, this camera is also IK10 vandal resistant and has 120dB WDR and built-in 30m IR, making the VX-8M-OD-RIAW a versatile camera fitting most every outdoor installation requirement.

The VX-8M-OD-RIAW is compatible with the entire VIGIL Software Suite, including direct access through VIGIL Client and our mobile app View Lite II, as well as with VIGIL Central Management for remote health monitoring and notification.

The VX-8M-OD-RIAW also supports H.264, H.265 and dual streaming. These technologies, combined with VIGIL Server's Substream Motion Detection and RapidStream technologies allows this camera to be view remotely in both live and playback modes with minimal impact on your network.



Typical Use Cases



**K-12
EDUCATION**



**HOTEL &
RESTAURANT**



**FINANCE &
BANKING**

Key Features and Benefits

Lens	3.6mm - 10mm
Resolution (Megapixels)	8
H.264/H.265/MJPEG	✓
Wide Dynamic Range	120dB
IR Range	30m
IK10 Impact-Resistant (Vandal-Proof Camera)	✓
IP67 Weather-Resistant	✓

What's in the Box

Template Sheet
Torx Wrench
Screw & Anchor
Test Video Cable

Moisture Absorber & Guide

Camera

Image Sensor:	1/1.8" 8M CMOS
Lens	3.6mm-10mm/ F1.5
Motorized?	Yes
Angle of View	D:52.3°~112.9°, H:4, 5.7°~98.4°, V:25.9°~54.6°
Min Illum	Color : 0.09Lux / BW : 0 Lux (F1.5)
IR Range	30m
Shutter Time	1/15 ~ 1/32000
Day/Night	TDN (True Day & Night)
WDR	120dB

Compression Standard

Video Compression	H.264, H.265, MJPEG
Bit Rate	100Kbps ~ 10Mbps
Video Streams	3840x2160p30 + 480p30 with H.264,H265 + MJPEG

Image

Max Image Resolution	3840(H)x2160(V)
Frame Rate	30fps

Functions

Alarm Triggers	Motion Alarm, Network disconnection, Temperature critical
Security	HTTPS(SSL), IP filtering, 802.1x, Digest Authentication
Protocols	TCP/IP, UDP, AutoIP, RTP(UDP/TCP), RTSP, NTP, HTTP, HTTPS, SSL, DNS, DDNS, DHCP, FTP, SMTP, ICMP, SNMPv1/v2/v3(MIB-2), ONVIF
System Compatibility	CGI API, ONVIF (Profile S)

Physical

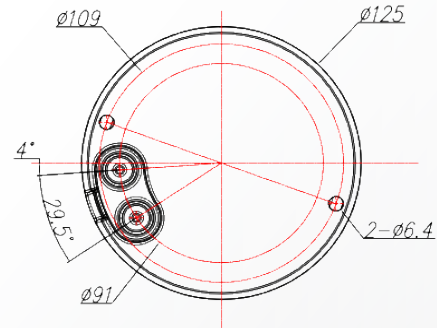
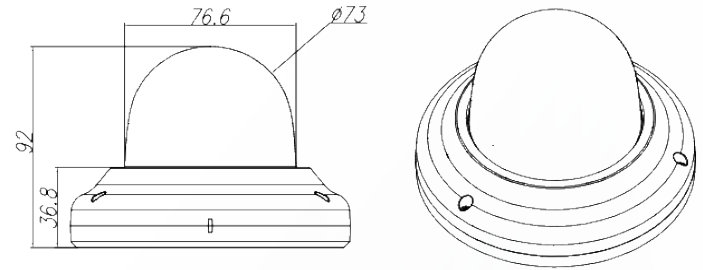
Operating Conditions	-30°C ~ 50°C (-22°F ~ 122°F)
Humidity	10~90% RH (non-condensing)
Weather Proof Rating	IP67
Impact Protection	IK10
Housing Material	Aluminum
Dome Material	Lexan 143R
Dimensions (D x H), Weight	125 mm x 92 mm, 0.52 kg
Local Storage	128GB Max. Micro SD / SDHC / SDXC

Electrical

Power Supply	DC12V PoE IEEE 802.3af Class3
Power Consumption	DC12V 9.3W / PoE 11.6W

Certifications and Compliance

FCC Part 15, Subpart B, Class A
 CAN ICES-3 (A)/NMB-3(A)
 UL and ULC Safety
 CE
 NDAA Compliant



Unit: mm

Interface

Communication	RJ45(10/100BASE-T)
Alarm Input	1 [1.0Vms, 3K ohm]
Alarm Output	1
Video Output	1 CVBS 1.0V p-p(75ohm)
Audio Input	1[1.0Vms, 3K ohm]
Audio Output	1

Part Number

Part Number	VX-8M-OD-RIAW
-------------	---------------

Warranty

Four (4) years

Recommended Mounts

VX-PM-BC10	Pendant Mount
VX-CM-BC04	Corner Mount
VX-POLE-BP04	Pole Mount
VX-JB-BJC03	Junction Box
VX-WM-BW10	Wall Mount