

# 8600 Series

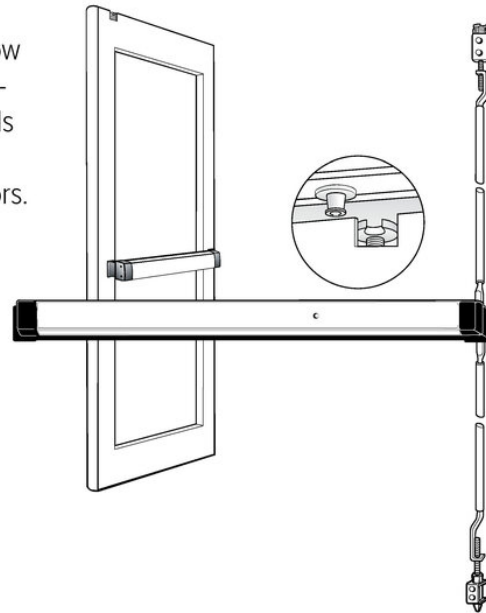
## Narrow Stile Concealed Vertical Rod Exit Device



The 8600 Series Narrow Stile Concealed Vertical Rod Exit Device is designed for narrow stile aluminum applications that require a life-safety exit device with concealed vertical rods for two-point locking. Designed for use in applications with single doors or pairs of doors.

### Certifications

UL 305 Panic hardware  
ANSI/BHMA A156.3, Grade 1



### Features

#### Materials

Push bar made of extruded aluminum, clad or anodized in a variety of finishes.

#### Handing

Device is non-handed.

#### Push bar Length

Standard sizes: dimensioned for 30" [762.0 mm], 36" [914.4 mm], 42" [1,066.8 mm], and 48" [1,219.2 mm] openings. Standard width bars can be field cut to the next smallest opening width.

#### Bar Height

Standard model adjusts from 30" [762 mm] to 44" [1117.6 mm].

#### Door Thickness

Suits 1-3/4" [44.5 mm] standard, up to 2-1/4" [57.2 mm]. Device requires modification when used with cylinder in doors over 1-3/4" [44.5 mm]. Please contact factory for more details.

#### Door Height

Standard configuration suitable for doors up to 66" [1,676.4 mm] above the selected bar height. For doors over 66" [1,676.4 mm] above bar height, up to 10' [3.05 m] use 8655 Tall Door Kit available separately.

#### Stile Width

Minimum 2" [50.8 mm] stile. Fits narrow, medium, and wide stile aluminum doors.

#### Stile Wall

Doors with stile walls other than 1/8" [3.2 mm] require modification.

#### Projection

2-5/8" [66.7 mm] when fully projected, 1-5/8" [41.3 mm] when dogged.

#### Dogging

Standard dogging with hex key or optional cylinder dogging. Electric Dogging option has been discontinued. Motorized and Electric Latch Retraction options can replace Electric Dogging requirement, see Options & Accessories.

#### Fasteners

Standard machine screws.

#### Cylinders

Accepts any standard 1" [25.4 mm] length, 1-5/32" [29.4 mm] diameter mortise cylinder with MS® cam such as the 4036 Mortise Cylinder. Accommodates cylinder lengths from 1" [25.4 mm] to 1-1/4" [31.8 mm]. Available separately.

**Cylinder x Fixed Pull Functions**

For entry trim function 03 (Night latch - key releases latch) select any standard 1" [25.4 mm] length, 1-5/32" [29.4 mm] diameter mortise cylinder with MS® cam such as the 4036 Mortise Cylinder. Accepts any standard mortise cylinder with MS® cam.

If key entry operation is required, any standard mortise cylinder with MS® cam can be installed through an 8650 Cylinder Escutcheon. 8650 Cylinder Escutcheon Kit available separately.

**Entry Trim Functions**

For entry trim function 08 (key locks/unlocks lever) or function 09 (key releases lever) select any standard 1" [25.4 mm] length, 1-5/32" [29.4 mm] diameter mortise cylinder with MS® cam such as the 4036 Mortise Cylinder. Accommodates cylinder lengths from 1" [25.4 mm] to 1-1/4" [31.8 mm]. Available separately.

**Bolts and Strikes**

The patented top latching mechanism utilizes a rotating top bolt which deadlatches around the header strike, interlocking the door to the frame. Supplied with standard header strike. Adjustable protected steel rods. The hexagonal, hardened steel bottom bolt is shielded in a cast housing for strength and stability.

**Standard Package**

Individually boxed.

**Shipping Weight**

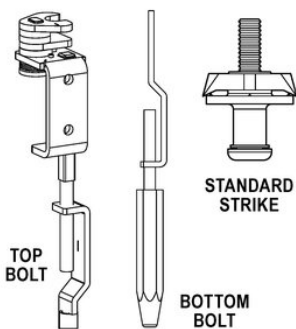
12 lbs [5.44 kg]

**Options**

- Available in top rod only version, less bottom rod. Specify by adding "T" after exit device model number.
- **Electrification Options**
- Motorized Latch Retraction, Electric Latch Retraction (LR), Alarm, Monitoring, Cylinder Dogging, Matching End Caps

For more detailed information on any of the options listed above please see the Exit Devices Options on page 97 of this catalog.

All measurements are approximate and are provided for informational purposes only. Refer to the product Installation Instructions.



**How to Order & Related Products**

**8200 Narrow Stile Surface Vertical Rod Exit Device** Specify quantity and the following information. Order related products separately.

MODEL	PUSH BAR FINISH	ROD TYPE	DEVICE OPTIONS	MONITORING OPTION	DOOR OPENING WIDTH On pair of doors, specify HALF of the total exit opening		US FINISH	END CAPS OPTION FOR US FINISH
<b>86</b>	<b>22</b>	<b>T</b>	<b>MLR</b>	<b>M2</b>	<b>-36</b>			
<b>86 Life-Safety</b>	<b>00 US Finish</b>	<b>T Top Rod only</b>	<b>LR Electric Latch Retraction (solenoid)</b>	<b>M Single Switch</b>	<b>30 30 inches*</b>	<b>42 42 inches</b>	<b>US3 Bright Brass</b>	<b>MEC Matching End Caps</b>
	<b>11 Clear Anodized 628</b>	<b>- Standard rod</b>	<b>MLR Motorized Latch Retraction</b>	<b>M2 Dual Switch</b>	<b>36 36 inches</b>	<b>48 48 inches</b>	<b>US4 Satin Brass</b>	
	<b>22 Dark Bronze Anodized 313</b>		<b>C Cylinder Dogging (non-fire rated devices ONLY)</b>	<b>(Blank) No Monitor</b>	<b>AXXB Alarmed Exit Device where XX is door opening width</b>		<b>US32 Bright Stainless</b>	
	<b>33 Black Anodized 335</b>		<b>(Blank) No Option</b>				<b>US32D Satin Stainless</b>	

**RELATED** When purchasing this product, please consider the following related products, available separately:

TRIM	CYLINDER	ACCESSORIES	POWER
3080, 3080E Series Entry Trim, 3090-150, A100 Series Keyless Entry	Operable by 4036 Mortise Cylinder depending upon the ANSI/BHMA functions of the exit device.	8655 Tall Door Kit 8650 Cylinder Escutcheon kit REX-Monitor/Signal Kits	PS-EXIT Power Supply (replaces PS-SE and PS-LR models), 4612 Power Transfer Device, 4605 Transformer, 4603 Rectifier



Patent pending and/or patent www.assaabloydss.com/patents. Copyright © 2021, Hanchett Entry Systems, Inc., an ASSA ABLOY Group company. All rights reserved. Reproduction in whole or in part without the express written permission of Hanchett Entry Systems, Inc. is prohibited.

Experience a safer and more open world

