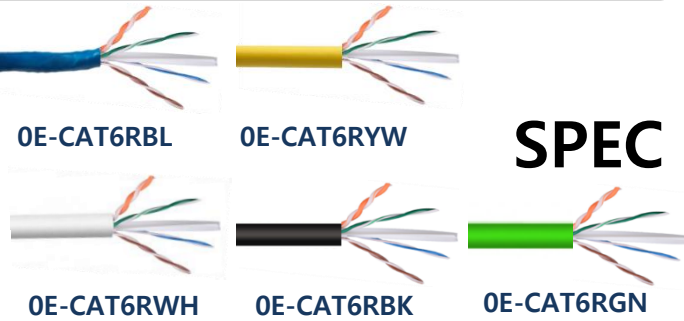


CAT6 RISER CABLE

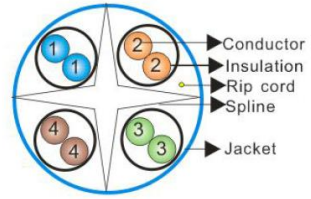
23/4 CMR/FT4 Reel in BOX

Doc. No. : GL CAT6-170 (rev.5)

Date : 8th Jan. 2021



SPEC SHEET



Physical Characteristics

- **Conductor:** 23 AWG Solid Bare Annealed Copper
- **Insulation:** HDPE (High Density Polyethylene)
- **Conductor Color Code:**
Pair 1: Blue - White/Blue, **Pair 2:** Orange - White/Orange
Pair 3: Green - White/Green, **Pair 4:** Brown - White/Brown
- **Spline:** FR Polyolefin
- **Rip Cord:** Applied longitudinally under jacket
- **Jacket:** PVC (Flame-Retardant, SUN RES & RoHS compliant)
- **Jacket Legend:**
 0000FT CAT 6 4 PR 23 AWG E507576 (UL) CMR c(UL)us FT4 SUN RES 75C (RoHS)
 UL VERIFIED TO TIA-568C.2 CAT 6 ##### RM# A B C D E F 1 2 3 4 5 6 7 8 9
- **Nominal Cable Diameter (in) :** 0.232
- **Nominal Cable Net Weight (lbs/1000ft) :** 27.60
- **Minimum Bend Radius (in) :** 1.0
- **Maximum Pulling Force (lbs):** 25
- **Temperature Rating (°F):**
Installation: +32 to + 140 **Storage & Operation:** -4 to + 167
- **Operating Voltage:** 300V

Applications

- IEEE802.3: 1000BASE-T, 100 BASE-TX, 10 BASE-T, ANSI/TIA/EIA 854: 1000BASE-TX, 155Mp/s, 1.2 Gb/s ATM, ANSI X3.263: 100Mb/s, IEEE 802.3af DTE Power (PoE), Digital Video

Standard Compliance

- ANSI/TIA-568-C.2
- ANSI/TIA-862 (Building Automation)
- IEC 11801 Ed.2.0 (Class E)
- ICEA S-102-700 (Category 6)
- NEC/CEC Type CMR (UL 1666) for Riser
- UL 444
- RoHS Compliant Directive 2011/65/EU

Certifications



Certifications for Management System

- ISO9001: 2008, ISO14001: 2004, OHSAS 18001

Electrical Characteristics

Max. Capacitance (nF/100m @ 1 kHz)	Max. DC Resistance (Ω/100m @ 68°F)	Dielectric strength (DC-kV, 2s)	Characteristic Impedance (Ω 1~100 MHz)
5.6	9.38	2.5	100 ± 15

Frequency	Insertion Loss	NEXT	PSNEXT	ACRF	PSACRF	Return Loss	PD	PD Skew
MHz	Max. dB/100m	Min. dB/100m	Min. dB/100m	Min. dB/100m	Min. dB/100m	Min. dB/100m	Max. ns/100m	Max. ns/100m
1	2.0	74.3	72.3	67.8	64.8	20.0	570	45
4	3.8	65.3	63.3	55.8	52.8	23.0	552	45
10	6.0	59.3	57.3	47.8	44.8	25.0	545	45
16	7.6	56.2	54.2	43.7	40.7	25.0	543	45
20	8.5	54.8	52.8	41.8	38.8	25.0	542	45
31.25	10.7	51.9	49.9	37.9	34.9	23.6	540	45
62.5	15.4	47.4	45.4	31.9	28.9	21.5	539	45
100	19.8	44.3	42.3	27.8	24.8	20.1	538	45
250	32.8	38.3	36.3	19.8	16.8	18.0	537	45
350	39.8	36.1	34.1	16.9	13.9	16.3	536	45

* Spec meets ANSI/TIA/EIA 568 C.2 standard. Frequencies beyond the TIA requirements are for information only. All values are dB/ 100 m (328ft)