



DESCRIPTION

The GTA-DESB is a modular audio entrance station for the GT Series multi-tenant video intercom system. It is equipped with an audio module for communication, a keypad for direct dialing, and a display module to show a greeting message, tenant directory, and system status. A built-in user guide on the audio module can be configured to display one of six languages. The guide provides operational assistance by lighting the appropriate icon along with the option for audible instruction.

The GTA-DESB works on a common bus wiring system, carrying the calling and communication functions on a 2-conductor wire. A separate power supply provides voltage to the tenant directory module, while the power for the audio is supplied on the common bus wires.

The entrance station is designed to be semi-flush mounted. For added weather resistance, there is an optional rain hood and a hooded surface mount box available. Use the surface mount box if surface mounting is required.

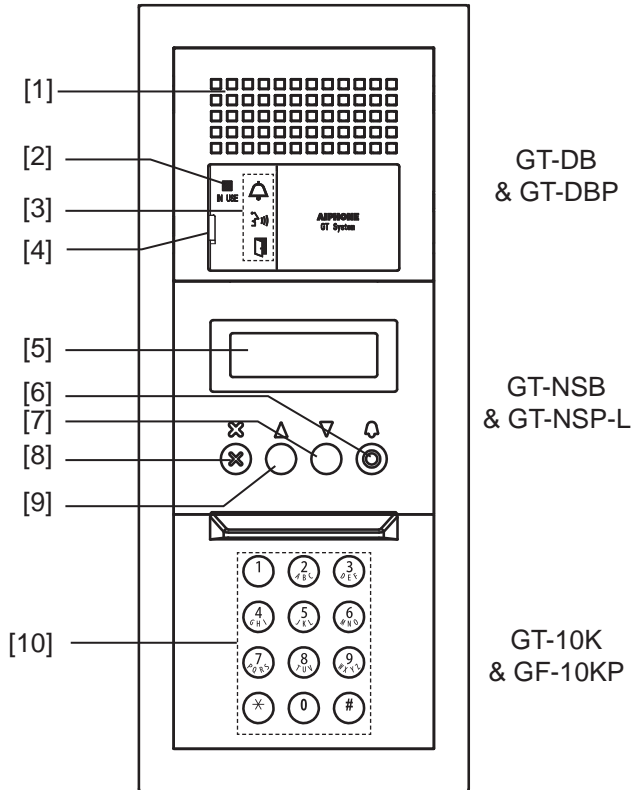
FEATURES

- Hands-free audio communication
- Direct dialing, alphabetical scrolling, or “jump” scrolling by letter to select tenant name
- Up to 500 names/numbers can be stored in the tenant directory module
- Alphanumeric room numbers and/or names can be programmed
- Access control door entry with up to 500 unique codes to activate door release
- Scrolling welcome message, up to 160 characters, adjustable scroll speed
- Display module displays tenant name and their dialing number
- PC program for loading tenant information, access codes, and welcome message (via USB)
- Semi-flush mount with the option of a rain hood (GT-103H) or surface mount with hooded box (GT-103HB)
- Zinc die cast weather and vandal resistant construction

GTA-DESB

1 x 3 Modular Audio Entrance Station with Digital Directory

FEATURE CALL-OUT:



FEATURE CALL-OUT DEFINITIONS

- Audio module and panel (GT-DB and GT-DBP)
 - [1] Speaker
 - [2] In-use LED (orange)
 - [3] Guidance indicators
door call-in/talk/door release
 - [4] Microphone
- Display module and panel (GT-NSB and GT-NSP-L)
 - [5] Display
 - [6] Call button (or set and move forward)
 - [7] Forward search button (or move cursor to the right)
 - [8] Cancel button (or set and return)
 - [9] Back search button (or move cursor to the left)
- Keypad module and panel (GT-10K & GF-10KP)
 - [10] Keypad (0~9, *, #)

SPECIFICATIONS

- Power: 24V DC, use specified number of PS-2420ULs per system configuration
- Calling: Electronic ring tone from entrance station
- Communication: Hands-free from entrance station to tenant station
- Capacity:
 - Max. 16 entrance stations per system
 - Max. 4 video guard stations per system
 - Max. 500 tenant stations per system
 - Max. 4 tenant stations per suite
- Wire:
 - Two sets of 2-conductor, PE insulation (two common buses for audio and video)
 - Aiphone #872002, 2-conductor PE insulated, non-shielded, 20AWG (Audio)
 - Aiphone #871802, 2-conductor PE insulated, non-shielded, 18AWG (Video)
- Wiring Distance:
 - GT-BC to farthest entrance station: 980'
 - GT-BC to farthest tenant station: 980'
 - GT-VBC to farthest entrance station: 980'
 - GT-VBC to farthest tenant station: 500'
- Talk Path: Single channel with privacy
- Dimensions: 12-⁵/₈" H x 5-⁵/₁₆" W x ⁵/₈" D (outer panel dimensions, not including optional rain hood or surface mount box)

KIT COMPONENTS

The GTA-DESB kit is made up of the following components:

- GT-DB** Audio Module
- GT-DBP** Panel for GT-DB
- GT-NSB** Display Module
- GT-NSP-L** Panel for GT-NSB
- GT-10K** Keypad Module
- GF-10KP** Panel for GT-10K
- GF-3B** 3-Module Back Box
- GF-3F** 3-Module Frame