

BA-1

Paging Adaptor

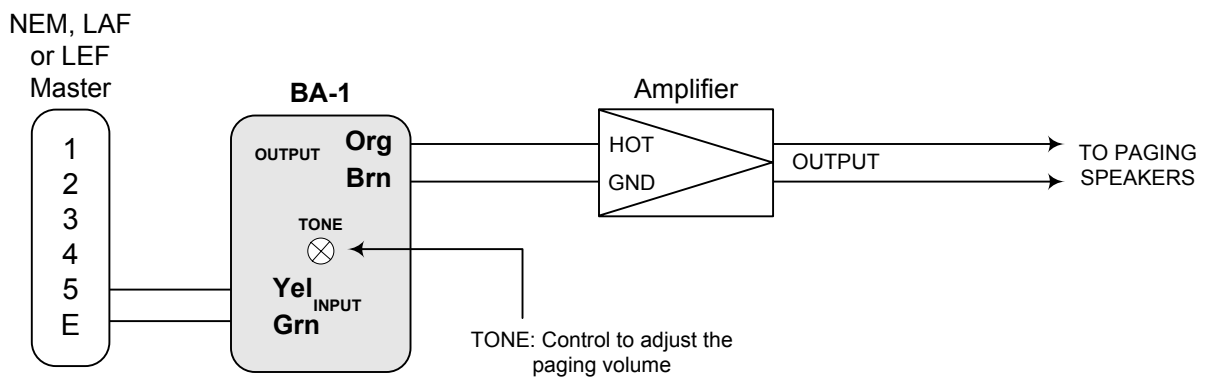
Use with:

LEM, LEF, LAF/LDF, or NEM/NDR Series Masters

- INSTRUCTIONS -

The BA-1 Paging Adaptor allows paging to external speakers from the NEM, LAF, LEF, LDF and LEM series master stations. For each zone of paging, use a BA-1 with the appropriate sized amplifier. The BA-1 provides outgoing paging only. Talkback is not available.

WIRING DIAGRAM:



NOTES:

1. The above example shows station 5 accessing the paging zone. Any unused station can be used for a paging zone.
2. The colored wires at each end of the BA-1 are the Input and Output. Connect them to the intercom and amplifier as shown.
3. Only wiring concerning the BA-1 is shown here. For complete installation information see the system's instruction manual.
4. The TONE control is located on the top of the BA-1, and requires a screwdriver for adjustment.

SPECIFICATIONS:

Power Source: Supplied by master
Input: 20 ohms
Output: 10K ohms
Amplifier input
requirements: Aux input (10K ohms)
Dimensions: 4-1/8"H x 2-1/2"W x 1-1/2"D

BA-1 COLOR CODE DEFINITIONS:

Org: Hot side of output
(Connect to amplifier input)
Brn: Ground side of output
(Connect to amplifier input)
Yel: Hot side of BA-1 input
(Connect to station # on master)
Grn: Ground side of input
(Connect to "E" terminal on master)

Aiphone Communication Systems
1700 130th Ave. N.E.
Bellevue, WA 98005
(425) 455-0510
FAX (425) 455-0071

TOLL FREE TECHNICAL SUPPORT:
(800) 692-0200
TOLL FREE FAX LINE:
(800) 832-3765
E-MAIL: tech-serv@aiphone.com

BA-1 Instr.
0705jdjs