

NHR-3TS

Common Area Call Station



DESCRIPTION:

The NHR-3TS Common Area Call Station for the CommuniCare system provides call annunciation outside of a common area restroom, or an urgent staff call from a designated staff call station.

With two corridor lamps, the NHR-3TS registers at the master station as an independent calling location, designated as a restroom or staff call station. The lamps can be lit to indicate calls from two areas.

Mounted into a standard 2-gang box, the common area call station is used in conjunction with the NHR-7A bathroom pullcord station for common area restrooms, or the NHR-7A without the cord attached for a staff call station.

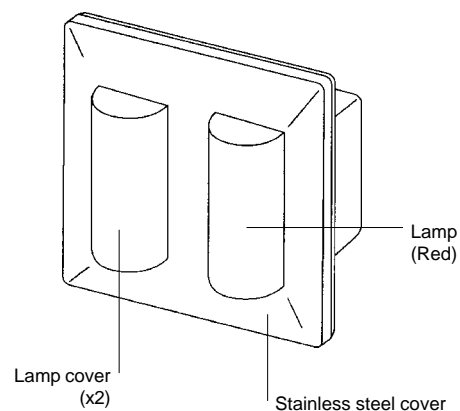
OPERATION:

A call placed will register at the master station as an urgent call. Either lamp on the NHR-3TS will light, depending on the wiring of the call station to the NHR-3TS. There can be two call stations or groups of call stations associated with each NHR-3TS, each lighting a separate corridor lamp, but lighting the same LED on the master.

The call must be cancelled at the calling location by moving the call switch to the upward position. There is no communication associated with a common area call station.

FEATURES:

- Provides call annunciation from common area restrooms or staff call location
- Two corridor lamps, indicating calling location
- 2-gang mounting with stainless steel plate
- Wires the same as a patient station



ARCHITECTS/ENGINEERS SPECIFICATIONS:

Common area call station shall be Aiphone model NHR-3TS, with 22AWG stainless steel faceplate, two corridor lamps with optional red bulb covers, and removable lens covers.

A call from an urgent call station (NHR-7A) shall activate the associated lamp, flashing continually until reset at the calling station. Two lamps shall be provided, allowing calls from two areas to register as one call on the master, but distinguishable at the calling location.

Wiring to CCU shall not exceed 3 twisted pair if no zone indicator light is included, or 3 twisted pair plus one wire if a zone indicator light is used. Cable size greater than 22AWG shall not be acceptable.

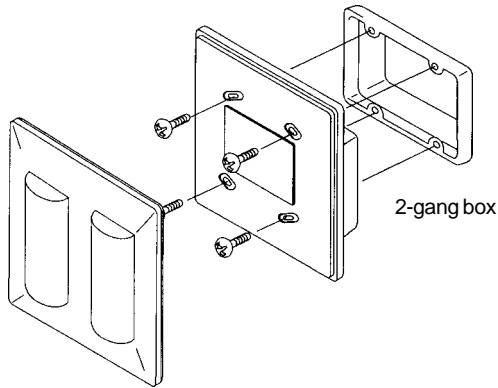
Physical size of the common area call station shall not exceed 4-3/4" high by 4-9/16" wide, and shall mount on a standard 2-gang electrical box.

Equipment shall be UL 1069 listed, and system components shall be provided by a manufacturer having ISO 9001 certification for quality standards.

CONTROLS AND INDICATORS:

- Two lamps, with removable red bulb covers
- Two lens covers

MOUNTING:



Stainless steel faceplate with 2 lens covers

SPECIFICATIONS:

Power source:	Provided by NHX-80X
Capacity:	Any number. Each NHR-3TS counts as one (1) station on system
Wiring:	3 twisted pair shielded low capacitance cable (12 pF/Ft) from NHX-80X Aiphone #862208 With NHR-3A-4 Zone Indicator Light: 3 twisted pair + 1 common wire per zone Aiphone #862208
Wiring Distance:	165' w/22AWG
Material:	Stainless steel faceplate ABS plastic lens covers
Dimensions (H x W x D):	NHR-3TS 4-3/4" x 4-9/16" x 2-1/2"
Certification:	UL 1069 Listed C-UL Canadian Standard C22.2

Product specification subject to change without notice.

