

SBX-LSE

Stainless Steel Security Lock Box For Video Door Station Models: JF-DV, JF-DVF, MK-DV, MK-DVF

- INSTRUCTIONS -

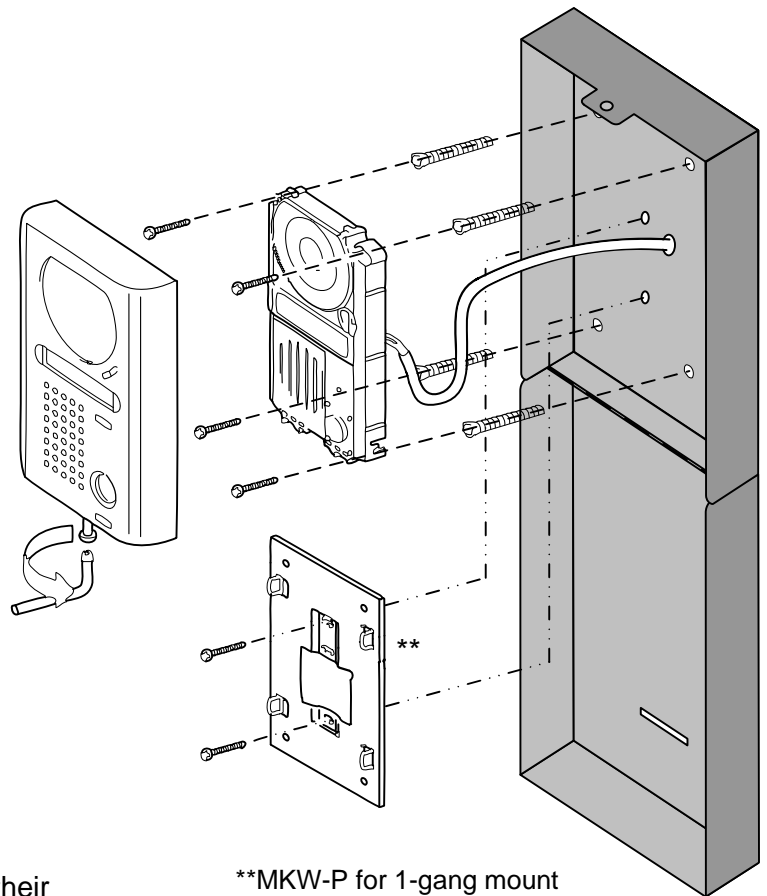
The SBX-LSE is an 18-Gauge stainless steel lockable enclosure designed to give the video door station added protection during non-business hours. This enclosure is designed to be mounted with the following model Aiphone units: JF-DV, JF-DVF, MK-DV and MK-DVF.

CONTENTS:

- SBX-LSE enclosure box
- Mounting plate for JF/MK-DV door station
- "L" bracket (for securing in open position)

MK/JB-DV MOUNTING INSTRUCTIONS:

1. Pass door station wiring through the center of the SBX-LSE and the large offset hole in the included mounting plate.
2. When mounting to a 1-gang box, the SBX-LSE should be secured to the box or ring using the MKW-P and included screws.
3. Attach wires to JF/MK-DV door station.
4. When mounting directly to wall surface, verify proper orientation and hole alignment, secure the SBX-LSE to the wall using the corner mounting holes on the JF/MK-DV and included screws. Otherwise, secure the JF/MK-DV to the MKW-P with the provided screws.
5. Secure front chassis to door station using included security screw.

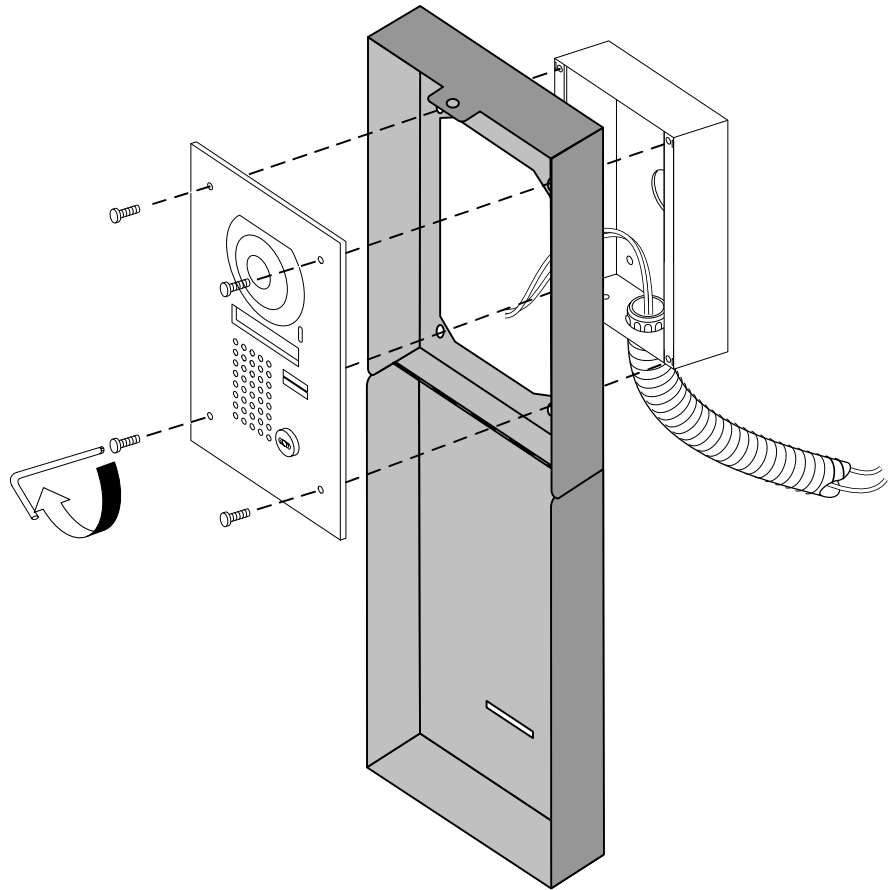


**MKW-P for 1-gang mount only (sold separately)

NOTE: Customer is to provide a security lock of their choosing to lock the panel in the closed position when the system is not in use. When in the open position, the padlock can be secured to the "L" bracket.

MK/JB-DVF MOUNTING INSTRUCTIONS:

1. Install flush mount backbox per JF/MK-DVF standard instructions.
2. Pass door station wiring through the center of the SBX-LSE and attach to door station.
3. Secure the SBX-LSE and JF/MK-DVF to the flush mount backbox using the included security screws.



NOTE: Customer is to provide a security lock of their choosing to lock the panel in the closed position when the system is not in use. When in the open position, the padlock can be secured to the "L" bracket.

SPECIFICATIONS:

Mounting:	JF/MK-DVF mounting box, with MKW-P for 1-gang box or surface mount directly to wall surface
Material:	18-Gauge Stainless Steel
Color:	Polished Stainless Steel
Dimensions (HxWxD):	
Closed-	11-1/4" x 5-7/8" x 1-9/16"
Open-	20-3/8" x 5-7/8" x 1-9/16"
Interior Depth:	1-1/2"



SBX-LSE open w/camera



SBX-LSE Closed