

ConteralP® Indoor Dome Megapixel Camera

1080p or 5 Megapixel (MP) H.265/H.264 All-in-One Fixed or Motorized Remote Focus and Zoom Varifocal Lens True Day/Night Indoor Dome IP Camera with SNAPstream+™ (Smart Noise Adaptation and Processing), Enhanced WDR™ (Wide Dynamic Range), NightView™, and Smart IR

H.265



The ConteralP® Indoor Dome megapixel camera features 1080p and 5-megapixel (MP) resolution for optimum performance. The ConteralP Indoor Dome combines a day/night mechanical IR cut filter with an integrated fixed or motorized remote focus and zoom varifocal lens for excellent, optimal image quality.


Regardless of the time of day, the ConteralP Indoor Dome is prepared for any lighting condition. For applications with poor lighting conditions, Enhanced WDR™ (wide dynamic range) at 120dB provides the best visual balance to shaded and bright light conditions.

For clear color images in low-light, NightView™ offers strong low-light sensitivity for capturing details in extremely poor-lit scenes. Built-in Smart IR LED illumination automatically adjusts output in response to the distance of an object in view to prevent over-exposure when the object is very close to the camera.

AV Costar™ was the first to bring H.264 to the mainstream market and recently developed SNAPstream™ (Smart Noise Adaptation and Processing) technology for reducing bandwidth without impacting image quality. Today we are proud to offer our next generation H.265 with SNAPstream+™ smart codec capable of delivering high quality video while saving over 50% of the data rate to reduce or prevent strain on the network.

The microSDXC card slot supports up to 1TB of capacity for convenient onboard storage. The camera's power can be supplied via a Power-over-Ethernet (PoE - IEEE 802.3af) compliant network cable connection.

The ConteralP Indoor Dome is ONVIF (Open Network Video Interface Forum) Profile S, G, and T conformant, providing interoperability between network video products regardless of manufacturer.

								
Remote Focus and Zoom Lens (~200 Models Only)	SNAPstream+™ Technology	NightView™	Enhanced WDR™ Wide Dynamic Range	Smart IR LEDs	True Day/Night with IR Cut Filter	CorridorView™ with 90° Image Flip	Tri-Encoder H.265/H.264/MJPEG	1TB Max Capacity MicroSDXC Card Slot

Series Features

- 1080p (2.1MP) or 5MP Resolution
- Fixed and Varifocal Lens Options
- Remote Focus/Zoom Motorized Lens (~200 Models Only)
- SNAPstream+™ Capability to Reduce Bandwidth without Impacting Image Quality
- NightView™ for Strong Low Light Performance
- True Day/Night Functionality with Mechanical IR Cut Filter
- Enhanced WDR up to 120dB at Full Resolution: See Clearly in Shaded and Bright Light Conditions Simultaneously
- CorridorView™ Allows 90° Image Rotation for Better Coverage in Hallways and Corridors
- Privacy Mask, Motion Detection, Bit Rate Control, Multi-Streaming, Multicasting, Forensic Zooming, and Scaling
- On-Screen Display (OSD)
- Triple Encoder: H.265/H.264/MJPEG
- Network Protocols Include SNMP, HTTPS, IPv6, DHCP, 802.1x, and More
- Audio In / Out
- All-in-One H.265/H.264 PoE Solution, PoE and Auxilliary Power: 12V DC
- Smart IR Illumination with Variable Illumination Ensures that IR Light is Evenly Disbursed up to 66ft (20m) for Scenes with Low or No Ambient Light
- 1TB Capacity MicroSDXC Card Slot for Onboard Storage
- NDAA Compliant

Camera Imaging Specifications

Model		AV02CID-200/201	AV05CID-200/201
Image Sensor		1080p (2.1MP) CMOS Progressive Sensor	5MP CMOS Progressive Sensor
Optical Format		1/2.8"	1/2.8"
Minimum Illumination	Color (Day Mode)	0.04 Lux	0.15 Lux
	B/W (Night Mode)	0.005 Lux	0.01 Lux
Full FOV Resolution		1920 H x 1080 V	2592 H x 1944 V
Scaling <i>(See Scaling Resolutions Below)</i>		Yes	Yes
IR Illumination		66ft (20m) max	66ft (20m) max
Dynamic Range		120dB DOL WDR	120dB DOL WDR
Frame Rates	Single Stream	Up to 30fps (1080p) Enhanced WDR on; 60fps (1080p) off	Up to 30fps (5MP)
	Multi-Stream	Up to 60fps (1080p) + 60fps (1080p) + 60fps (360p) Enhanced WDR off Up to 30fps (1080p) + 30fps (1080p) + 30fps (360p) Enhanced WDR on	Up to 30fps (5MP) + 30fps (5MP) + 30fps (360p) Enhanced WDR off Up to 30fps (5MP) + 30fps (5MP) + 30fps (360p) Enhanced WDR on
Lens	Motorized Lens (-200 Models)	2.7-13.5mm, F1.4, H-FOV = 28°-100°, V-FOV = 16°-54°	2.7-13.5mm, F1.4, H-FOV = 27°-79°, V-FOV = 20°-58°
	Fixed Lens (-201 Models)	3.6mm, F2.0, H-FOV = 84°, V-FOV = 45°	3.6mm, F2.0, H-FOV = 77°, V-FOV = 56°

Programmability

Optics	Remote focus, remote zoom (-200 models only)	
Low-Light Performance	NightView™ technology	
	Smart IR	
Programmable Shutter Speed	Auto/manual 0.1ms ~ 500ms	
Motion Detection	Real-time, 1024 detection zones	
Privacy Masking	Unlimited	
Backlight Compensation	Auto	
White Balance Mode	Auto/manual	
Gain Control	Auto	
Flicker Control*	5Hz-255Hz adjustable	
Image Rotation	CorridorView™ (90°, 180°, and 270° image rotation) + mirror	
Scaling	1080p	1920x1080, 1280x720, 960x540, 640x480, 640x360
	5MP	2592x1944, 2048x1536, 1920x1080, 1296x972, 1280x720, 960x540, 640x480, 640x360
Wide Dynamic Range	120dB DOL WDR	
Efficiency	SNAPstream+™ (Smart Noise Adaptation and Processing)	
	Bit rate and bandwidth limitation control	
Miscellaneous	Programmable brightness, contrast, sharpness, saturation, hue	
Password	16-digit ASCII character password	
On-Screen Display (OSD)	Time/date/camera name/custom text	

Data Transmission

Compression Type	H.265/H.264 (MPEG-4, Part 10)/Motion JPEG
Bit Rate Control	64K-8000K
Smart Codec	Smart GOP
Transmission Protocols	SNMP, HTTP, HTTPS, IPv6, IPv4, SSL, TCP/IP, UPnP, UDP, RTCP, RTSP, RTP, SMTP, NTP, DHCP, FTP, 802.1x, Zero Configure
	10/100Base-T Ethernet network interface, RJ45
Multi-Streaming	2 x H.265/H.264 stream, 1 x M-JPEG stream
Users	Live viewing/Administrator for up to 10 clients

Event Management

Event Trigger	Motion detection, tampering detection, alarm in
Notifications	Send/record message via e-mail/FTP/NAS/SD card, record JPG/mp4

Compliance

Industry Standard	ONVIF Profile S, G, T conformant
FCC Compliance	47 CFR 15 Class A
Environmental	RoHS, REACH, WEEE
Markings	(CE) EN55032 Class A, EN55024, EN61000-3-2, EN61000-3-3, EN60950

Environmental

Operating Temperature	-10°C (14°F) to +50°C (122°F)
Humidity	10% to 90% (non-condensing)
Storage Temperature	-10°C (14°F) to +60°C (140°F)

General Electrical

Alarm Input/Output	1 input (wet contact)/1 output (wet contact) on pigtail cable	
Power Over Ethernet	PoE IEEE 802.3af, Class 3	
	Total PoE solution (no external power requirement)	
Auxiliary Power	12V DC	
Power Consumption	1080p	8.5W max
	5MP	10W max

IR Illuminator

LEDs	4pcs, Smart IR
Projection Distance	66ft (20m) max

Audio Electrical

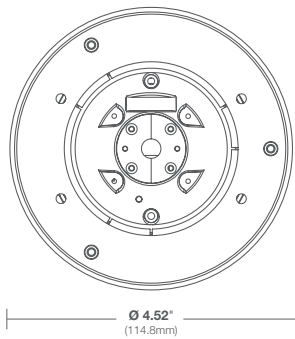
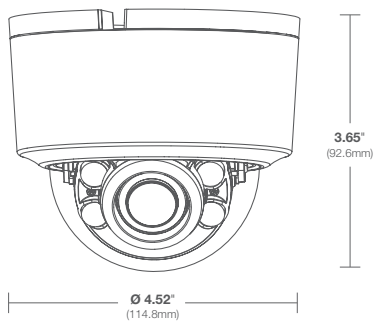
Streaming	Two-way
Compression	G.711 PCM 8 kHz/8 bit
Input/Output	Line in* / Line output

* Requires Amplification

Mechanical

Casing	Plastic surface mount chassis with polycarbonate dome bubble	
Gimbal	Easy 3-axis camera adjustment with 355° pan, and 60° tilt, and 180° Z-rotation	
Dimensions <i>(See Dimensions)</i>	Unit	Ø 4.52" (114.8mm) x 3.65" H (92.6mm)
	Packaged	6.1" W (155mm) x 6.5" H (165mm) x 6.0" D (152mm)
Weight	Unit	0.79lbs (0.36kg)
	Packaged	1.21lbs (0.55kg)
On Board Storage	MicroSDXC slot up to 1TB (card not included)	
Body Color	AV Costar White (Pantone® Cool Gray 1C)	

Dimensions



CID-FMA



Flush Mount Adapter

CID-CMT-W



Pendant Mount with Built-In Junction Box

CID-WMT-W



Wall Mount Adapter

See Next Page for Ordering Information



Model Numbers

1080p	AV02CID-200	WDR
	AV02CID-201	WDR
5MP	AV05CID-200	WDR
	AV05CID-201	WDR

Accessories (Sold Separately)

AV-CRMA-W	Corner Mount Adapter (AV Costar White)
AV-PMA-W	Pole Mount Adapter (AV Costar White)
CID-CMT-W	Pendant Mount for ConteraIP Indoor Dome (AV Costar White)
CID-FMA	ConteraIP Indoor Dome Flush Mount Adapter (White)
CID-WMT-W	Wall Mount for ConteraIP Indoor Dome (AV Costar White)
CID-200COVER-B	Color Change Snap-On Cover (Black)

Configurations



Surface mount dome

Create Your Model (Example: AV05CID-200)

Megapixel Resolution Contera Product Line Body Type Generation Lens

