

ConteralP® Omni LX Remote Setup Megapixel Camera

20 Megapixel (MP) H.265/H.264 All-in-One Remote Setup Omni-Directional Remote-Configurable Multi-Sensor True Day/Night Indoor/Outdoor Dome IP Cameras with SNAPstream+™ (Smart Noise Adaptation and Processing), WDR (Wide Dynamic Range), and NightView™

H.265



The ConteralP Omni LX Remote Setup (RS) is an industry-game-changing omni-directional, remote-configurable, multi-sensor, multi-megapixel camera built to provide outstanding high resolution video coverage for a wide range of applications. The unmatched coverage and capabilities of the ConteralP Omni LX RS provides organizations of all sizes the flexibility to deploy a surveillance camera system that truly matches their current and future requirements for complete situational awareness.

ConteralP Omni LX RS is available with a 20-megapixel (MP) resolution. The number of cameras required for a project can be dramatically reduced with a single ConteralP Omni LX RS, thanks to its four customizable remote sensor gimbals. Installation is fast and easy. Install the hinged mounting plate, connect the PoE+ (Power-over-Ethernet) IP cable, and then remotely configure the camera. Select a preset choice for 180°, 270°, or 360° views, or use the intuitive interface to remotely pan, tilt, zoom, and focus each sensor. Two custom presets created by the user can be saved to memory. The camera is integrated with the industry's leading VMS/NVR platforms.












ConteralP Omni LX RS is ideal for applications with normal to challenging lighting conditions. The Omni combines a day/night mechanical IR cut filter for the highest image quality at any time of day. For clear color images in low-light, NightView

offers strong low-light sensitivity for capturing details in extremely poor-lit scenes. Power can be supplied via a single PoE+ (802.3at) compliant network cable or via an 24–48V DC/24V AC power supply.

ConteralP Omni LX RS is designed for demanding environments. Certified to rigorous dust and water tests, the camera carries an IP66 rating. The rugged dome housing is IK-10 rated to withstand the equivalent of 55 kg (120 lbs) of force for vandal-prone applications.

AV Costar™ was the first to bring H.264 to the mainstream market and recently developed SNAPstream™ (Smart Noise Adaptation and Processing) technology for reducing bandwidth without impacting image quality. Today we are proud to offer our next generation H.265 with SNAPstream+smart codec capable of delivering high quality video while saving over 50% of the data rate to reduce or prevent strain on the network.

The ConteralP Omni LX RS is ONVIF (Open Network Video Interface Forum) Profile S, G, and T compliant, providing interoperability between network video products regardless of manufacturer.

										
Remote Setup	SNAPstream+™ Technology	Omni-Directional Track with 4 Customizable Sensors	Presets 180°/270°/360°	Custom Presets	Motorized Pan & Tilt Capable	Enhanced WDR™ Wide Dynamic Range	True Day/Night with IR Cut Filter	NightView™	Impact / Weather Resistant IK-10 and IP66 Rated	Tri-Encoder H.265/H.264/MJPEG

Series Features

- 20MP (4x 5MP Sensors)
- No Touch Setup: 4 Individual Camera Gimbals Each with a Varifocal Motorized Lens That Can be Remotely Setup in Any Position Around a 360° Track
- Preset Positions to Create a 360°, 270°, or 180° Field of View, or Save Custom Presets
- SNAPstream+Advanced Compression Algorithm Reduces Bandwidth without Impacting Image Quality
- NightView for Strong Low Light Performance
- True Day/Night Functionality with Mechanical IR Cut Filter
- On-Screen Display (OSD)
- Enhanced WDR up to 120dB at Full Resolution: See Clearly in Shaded and Bright Light Conditions Simultaneously
- Privacy Mask, Motion Detection, Bit Rate Control, Multi-Streaming, and Multicasting
- Triple Encoder: H.265/H.264/MJPEG
- Network Protocols Include SNMP, HTTPS, IPv6, DHCP, 802.1x, and More
- All-in-One H.265/H.264 Total PoE+ Solution PoE+ and Auxiliary Power: 24V-48V DC/24V AC
- Audio In / Out
- 1TB Capacity MicroSDXC Card Slot for Onboard Storage
- Outdoor Rated IP66 and IK-10 Impact-Resistant Housing

Camera Imaging Specifications

Model		AV20576RS
Image Sensor (CMOS)		20MP (5MP x 4) CMOS Progressive Sensor
Optical Format		1/2.8"
Pixel Pitch		2.0µm
Minimum Illumination	Color (Day Mode)	0.15 Lux
	B/W (Night Mode)	0.15 Lux
Full FOV Resolution	Total	10368 H x 1944 V
	Per Sensor	2592 H x 1944 V
Dynamic Range		DOL WDR 120db
Frame Rates*	At Max Resolution	30fps (20MP)
	Multi-Stream	Up to 30fps (20MP) + 30fps (20MP) + 30fps (1.2MP) Enhanced WDR on
Lens (x4)		3.3–6.6mm, F1.8, H-FOV = 42°–96°

Programmability

Optics	Remote focus / zoom
Low-Light Performance	NightView™ technology
Programmable Shutter Speed	Auto/manual 0.1ms ~ 500ms
Motion Detection	Real-time, 1024 detection zones
Privacy Masking	Unlimited
Backlight Compensation	Auto
White Balance Mode	Auto/manual
Gain Control	Auto
Flicker Control	5Hz–255Hz adjustable
Scaling <i>(Per Sensor)</i>	20MP 2592x1944, 2560x1440, 2304x1296, 2048x1536, 1920x1080, 1600x1200, 1296x972, 1280x960, 1280x720, 800x600, 640x480
Wide Dynamic Range	Adjustment between WDR and LDR modes
Efficiency	SNAPstream+ (Smart Noise Adaptation and Processing)
	Bit rate and bandwidth limitation control
Miscellaneous	Programmable brightness, contrast, sharpness, saturation, hue
Password	16-digit ASCII character password
On-Screen Display (OSD)	Time/date/camera name/custom text

Data Transmission

Compression Type	H.265/H.264 (MPEG-4, Part 10)/Motion JPEG
	21 levels of quality
Bit Rate Control	128K–8000K
Smart Codec	Smart GOP
Network Protocols	SNMP, HTTP, HTTPS, IPv6, IPv4, SSL, TCP/IP, UPnP, UDP, RTCP, RTSP, RTP, SMTP, NTP, DHCP, FTP, 802.1x, Zero Configure
Network Interface	10/100/1000Mbps Ethernet, RJ45
Max Camera Bandwidth	36Mbps (9Mbps per sensor)
Multi-Streaming	2 x H.265/H.264 stream, 1 x M-JPEG stream (per sensor)
Users	Live Viewing/Administrator for up to 10 clients

Event Management

Event Trigger	Motion detection, tampering detection, alarm in
Notifications	Send/record message via e-mail/FTP/NAS, record JPG/mp4

Compliance

Industry Standard	ONVIF Profile S, G, T conformant
FCC Compliance	47 CFR 15 Class A
Environmental	RoHS, REACH, WEEE
Markings	CE: EN55032 Class A, EN55024, EN61000-3-2, EN61000-3-3, EN60950
Mechanical	IK-10 (EN62262), IP66 (EN60529)

Environmental

Operating Temperature	-40°C (-40°F) to +50°C (122°F)
Humidity	0% to 90% (non-condensing)
Storage Temperature	-40°C (-40°F) to +60°C (140°F)

Electrical

Alarm Input/Output	1 input (wet contact)/1 output (wet contact)
Power Over Ethernet	IEEE 802.3at (PoE+), Class 4
Auxiliary Power	24-48V DC, 24V AC
Power Consumption	23W max

Audio Electrical

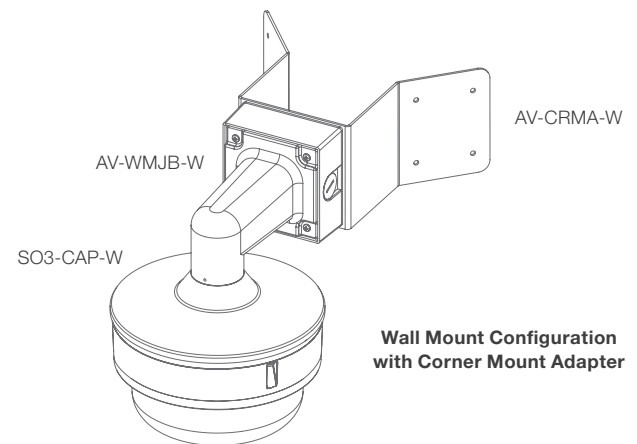
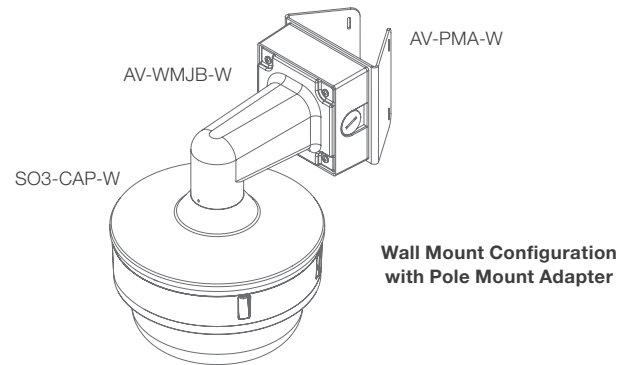
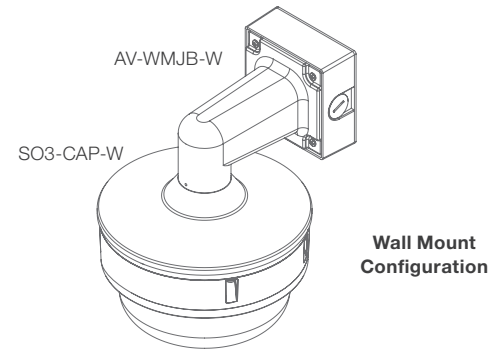
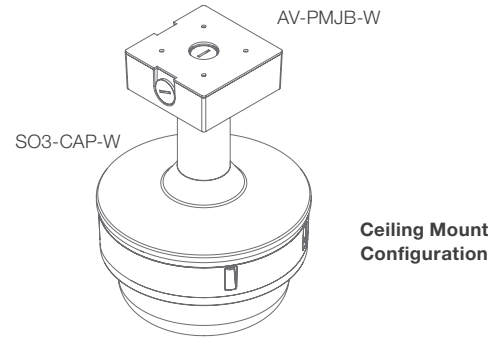
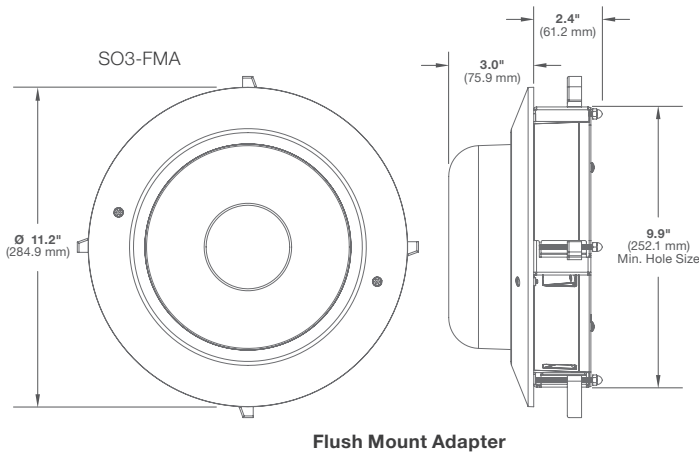
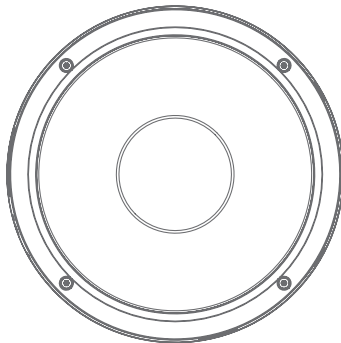
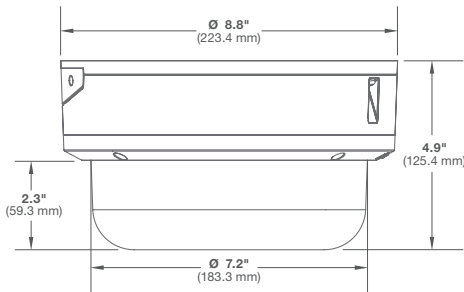
Streaming	Two-way
Compression	G.711 PCM 8 kHz/8 bit
Input/Output	Line in**/ Line output

* Maximum with H.264 compression
 ** Requires Amplification

Mechanical

Casing	Die-cast aluminum chassis with polycarbonate dome bubble	
	IP66 weather proof standard	
	Impact resistant, IK-10 rated	
Gimbal	Remotely adjustable, 3-axis w/360° pan, 135° tilt	
Dimensions <i>(See Dimensions)</i>	Unit	Ø 8.8" (223.4mm) x 4.9" H (125.4mm)
	Bubble Only	Ø 7.2" (183.3mm) x 2.3" H (59.3mm)
	Packaged	11.1" W (281mm) x 11.1" L (281mm) x 7.4" H (188mm)
Weight	Unit	5.2lbs (2.36kg)
	Packaged	5.9lbs (2.68kg)
On Board Storage	MicroSDXC slot up to 1TB (card not included)	
Body Color	Arecont Vision® White (Pantone® Cool Gray 1C)	

Dimensions



See Next Page for Ordering Information

ConteraIP® Omni LX Remote Setup Megapixel Cameras Ordering Information



Configurations



Omni LX Remote Setup

Model Numbers

20MP	AV20576RS	WDR
-------------	-----------	------------

Accessories (Sold Separately)

AV-1AK	ConteraIP® Optional Audio Kit
AV-CRMA-W	Corner Mount Adapter (Arecont Vision® White)
AV-JBA-W	Standard Junction Box (Arecont Vision® White)
AV-PMA-W	Pole Mount Adapter (Arecont Vision® White)
AV-PMJB-W	Pendant Mount Bracket with Standard Junction Box (Arecont Vision® White) (Fits Cap 1.5" NPT, Box Fits 3/4" NPT)
AV-WMJB-W	Wall Mount Bracket with Standard Junction Box (Arecont Vision® White) (Fits Cap 1.5" NPT, Box Fits 3/4" NPT)
SO3-CAP-W	Cap for ConteraIP® Omni LX RS (Arecont Vision® White)
SO3-FMA	Flush Mount Adapter for ConteraIP® Omni LX RS (Arecont Vision® White)

Create Your Model (Example: AV20576RS)

Megapixel Resolution Generation Body Type Compression Remote Setup



+1.818.937.0700 | www.avcostar.com | avsales@arecontvision.com

© 2021 Arecont Vision Costar, LLC. All rights reserved. Arecont Vision, Contera, and ConteraIP are registered trademarks of the company. AV Costar, the AV Costar logo, NightView, SNAPstream and SNAPstream+ are business use trademarks of the company.

Rev 002.003

