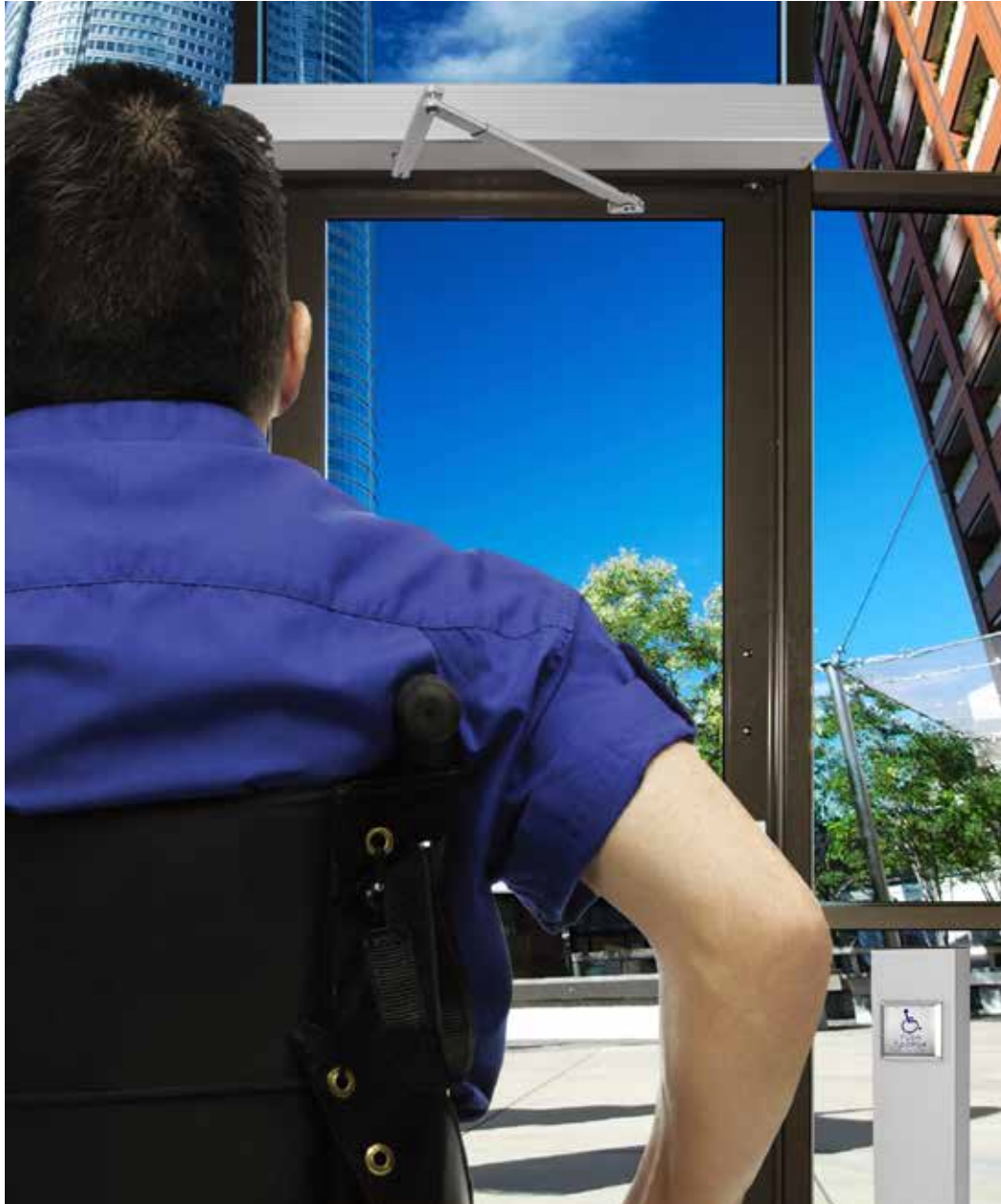
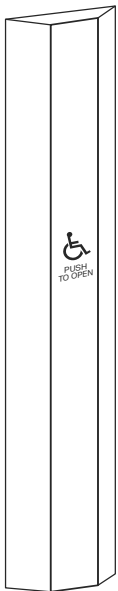


Auto EntryControl™

Low Energy Swing Door Operator



ADA Compliant Solution

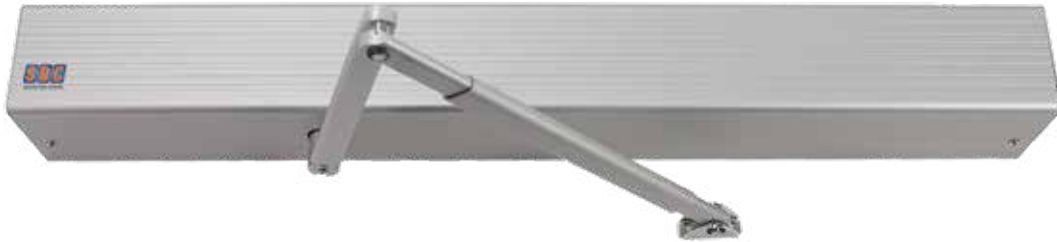
REV 9



The Lock Behind Your System

LOW-ENERGY, HANDS-FREE COMPLIANCE

Security Door Controls is pleased to offer its latest product line designed to maximize public door accessibility for Americans with Disabilities Act (ADA) Title III applications. The **Auto EntryControl™** Low Energy Swing Door Operator provides our newest and most convenient features to gain safe access for ADA applications.



ADA is a civil rights law that is intended to guarantee equality for those who are physically handicapped or disabled. There are four major sections of the bill and they are intended to prohibit discrimination in Employment, Public Service, Public Accommodations, and Telecommunications. SDCs focus is on Title III (Public Accommodations). Title III is not a product specification or a building code, but a directive to ensure equality in accessibility within public buildings. Such things as door opening size, door opening force requirements, door closing time, degree of door opening, and door and lock handle designs must all be addressed to satisfy the ADA guidelines.

ADA “BLUE-PAINT” ACCESS

From the moment a physically disabled person enters the facility parking lot, they immediately begin looking for the ADA “blue-paint” and signage. All subsequent entry decisions are based on following the “blue-paint” pathways designed to provide access.

After parking, attention quickly turns to locating a barrier-free ramp leading to the entry way and door actuator. Although the SDC Auto EntryControl™ Low Energy Operator can be useful on a variety of locations, the ADA “blue-paint” clearly defines a need for assisted ingress/egress compliance in retail storefronts, office buildings, campuses and healthcare facilities.



FEATURES

Access Controls: The Auto EntryControl™ Low Energy Operator offers true **Plug N Play Access Control System Installation**. It features an internal, **1.0 Amp+ Accessory/Lock Power Supply** to allow for integration with electric latch retraction exit devices, electric strikes, and other electric locking system **without adding an extra power supply**. A time delay function is also built into the control system eliminating the need for supplemental relays or controls. See Typical Systems Applications on pages 11 and 12.



Activation: The Auto EntryControl™ Low Energy Operator can be activated with the press of a switch. Virtually any form of “knowing act” can be used to initiate the operator making integration with existing systems easier. For the full line of activation devices that SDC offers see page 14-19.

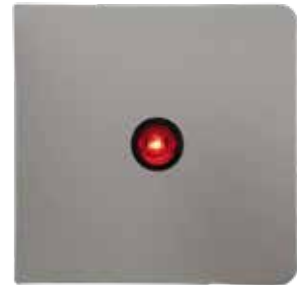
Push and Go Option: With the flip of a switch, the Auto EntryControl™ Low Energy Operator can be configured to activate and open based on a slight movement of the door.

Utilizing this option eliminates the need for supplemental activation devices but does not preclude their use.



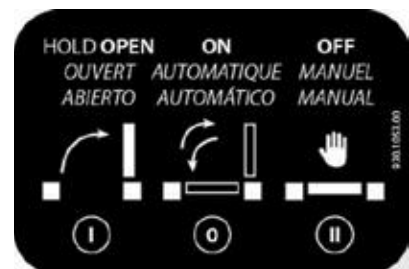
Hold-Open Timer: Upon receipt of an activation signal, the operator will power open the door from the closed position. The door may be held in the open position up to 30 seconds (compliance with ANSI/BHMA A156.19 requires the door to remain in the open position for a 5 second minimum). Additionally, a “hold-open” switch is provided to hold the door open for extended periods.

External Function Switches: The Auto EntryControl™ Low Energy Operator is equipped with external function switches providing basic controls.



- **Illuminated Power Switch:** Illuminated to be visible at night, the switch controls power to the operator motor. The Auto EntryControl™ Low Energy Operator functions as a manual closer with power off.

- **Mode Control Switch:** A three function switch is provided for control of the powered function of the operator. “Day” mode will engage the operator for normal powered operation with activation by push plate, “Push and Go”, or signal from other “knowing act” device. “Night” mode disables the operator for normal powered operation; however, the operator can be configured to receive activation signals from a secure activation device such as a card reader for secure activation, generally from one side. Switching to “Hold-Open” mode will power the operator opening the door, holding it open indefinitely.





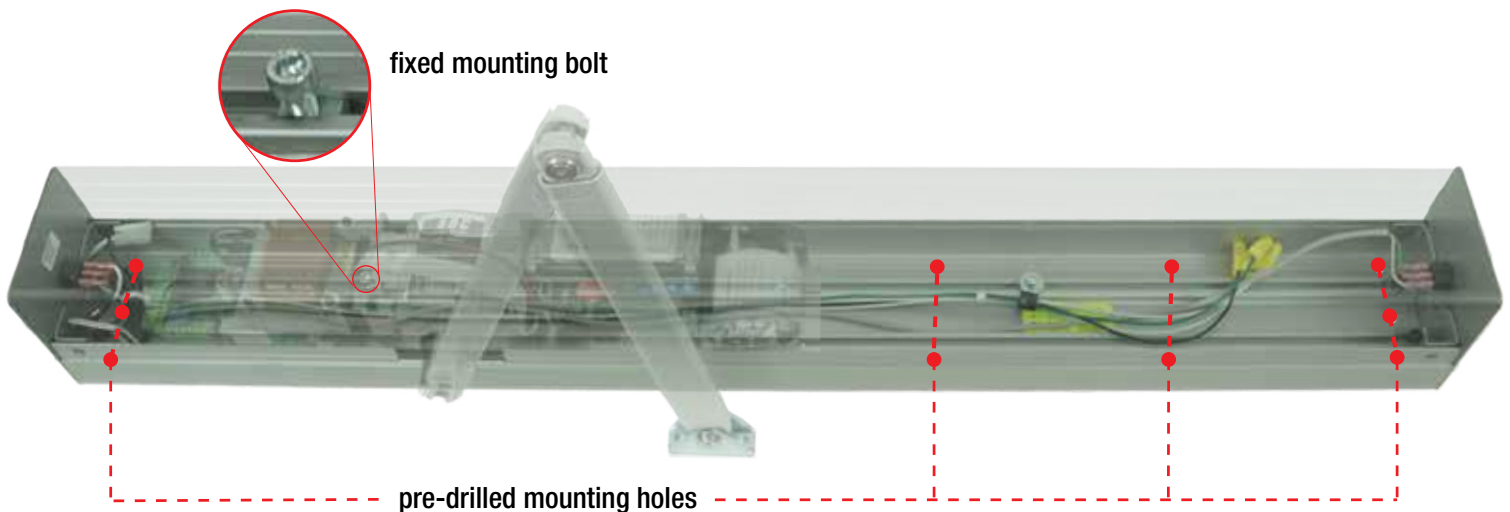
FEATURES (CONTINUED)

Obstruction Detection: During the opening cycle an obstruction function effectively reduces the possibility of personal injury in accordance with A156.19. Additionally this feature prevents damage to door and/or surrounding structures. After a stall time-out, the door will close.

Power-Close Option: This switched feature can be used to control exterior openings that require additional closing force to resist interior stack pressures and wind conditions that do not allow the door to close properly. Use this feature to reduce heating and cooling loss and save energy and money.

Momentary Pull: The momentary pull on activation of the operator before opening is to relieve pressure for latching hardware. It is part of the core functionality and cannot be altered. Installers and end-users appreciate the benefits of this feature!

Single Button, Self Tuning: The automatic setup button allows for easy setup.



Easy, One-man Installation: The motor assembly is removable and makes the back plate installation easy. It is achieved through the custom designed mounting plate, which allows the motor-logic assembly to be detached from the mounting plate. The back plate is pre-drilled with mounting holes and includes a fixed mounting bolt for hanging the motor-logic assembly once the mounting plate is secured to the door header. The motor-logic assembly can now be easily secured to the mounting plate, providing for single technician installs without requiring any additional help.



SPECIFICATIONS

| | | |
|---|---|----------|
| Power Supply | 115VAC @ 60Hz (+6%, -10%) | |
| Power Consumption | 100W | |
| Current consumption | 1A | |
| Motor | 24 VDC Permanent Magnet with Belt Driven Encoder | |
| Header Dimension | 4 1/2"H x 4 7/8"D | |
| Fused Protection | 3.5A Fuse (F1 located on I/O Board) | |
| Weight | 22 lbs per Operator Assembly | |
| Ambient Operating Temperature | -4 to 131°F | |
| Ingress Protection | IP23 - protection from spray water up to 60° from the vertical - i.e. Rainstorm | |
| | PUSH Arm | PULL Arm |
| Maximum Door Weight | 36" Door: 438 lbs | 342 lbs |
| | 42" Door: 328 lbs | 256 lbs |
| | 48" Door: 254 lbs | 198 lbs |
| 24 VDC Accessory / Lock Power Supply | 24 VDC / 1 Amp + | |
| Adjustable Timers | Hold Open Time, Opening & Closing Speed | |
| Standard Selector Switch Function | <ul style="list-style-type: none"> • Automatic • Hold Open • Manual (Off) | |
| Standard Control Outputs | <ul style="list-style-type: none"> • Electric Lock Control • 24 VDC Power Supply • Door Status (Fully Open & Fully Closed) • Alarm Signal | |
| Standard Control Inputs | <ul style="list-style-type: none"> • Interior Activation • Exterior Activation • Emergency Shutdown • Fire Alarm Input • Safety Device Input | |
| Maximum Degree of Opening | 130° | |
| Shipping Weight | 32.2 lbs | |



REGULATORY

- Meets requirements for ANSI A156.19 Standard For Power Assist And Low Energy Power Operated Doors
- UL 325 Standard for Door, Drapery, Gate, Louver, and Window Operators and Systems or use on fire and smoke check doors
- Meets ADA – Americans With Disabilities Act
- In compliance with FCC 47 CFR Part 15 Class B emissions requirements (USA)
- NFPA 101 – Life Safety Code
- ETL Intertek Listed



WARRANTY

Three years from the date of invoice



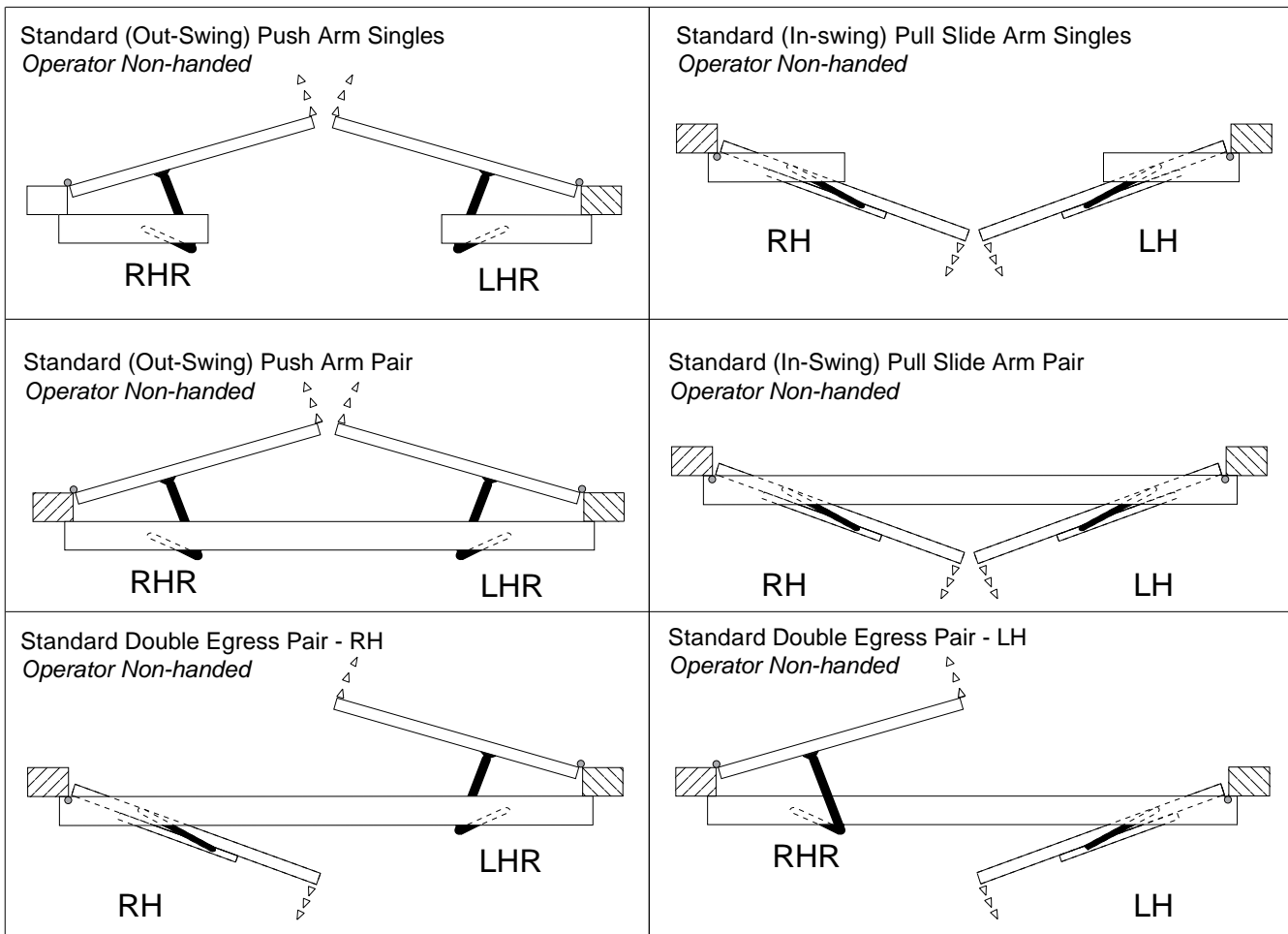
PACKAGE INCLUDES (SINGLE DOOR PACKAGE):

- Auto EntryOperator™ Low Energy Operator (Non-handed)
- Standard Arm (PUSH side) or Track Arm (PULL side) or both
- Spindle (PUSH 35 mm, PULL 20 mm)
- Technical manual
- Signs

FEATURES

- ADA Compliant
- Meets ANSI A 156.19
- Certified for use as fire door operators (3 hour rating)
- Self-Tuning, Self-Learning
- Minimum 5 seconds from close to open
- Stays open for 5 seconds minimum
- High Traffic Use
- Push or Pull (In swing, Out swing)
- Activation: Knowing Act
- Optional Safety Device
- Input Power: 1A, 100W
- Non-Handed
- Extremely Quiet Operation

DOUBLE DOOR CONFIGURATION





HOW TO ORDER **SINGLE MODEL**

1| SPECIFY MODEL

- AUTO1** PUSH Operator - includes 35 mm spindle, one motor assembly, PUSH arm
- AUTO2** PULL Operator - includes 20 mm spindle, one motor assembly, PULL arm
- AUTO3** PUSH & PULL Arms with 20 mm + 35 mm Spindles, one motor assembly

2| SPECIFY DOOR OPENING WIDTH

- 36** for 36" Door Opening
- 42** for 42" Door Opening
- 48** for 48" Door Opening



3| SPECIFY FINISH

- V** 628 Aluminum (standard)
- X** 710 Dark Anodized Aluminum

4| OPTIONAL ARM EXTENSION

- AUTO-AEV** Arm Extension for PUSH arm for reveal >8" (13" max), 628 Aluminum
- AUTO-AEX** Arm Extension for PUSH arm for reveal >8", Dark Bronze

5| OPTIONAL SPINDLES

- SP20** 20 mm Spindle
- SP35** 35 mm Spindle
- SP50** 50 mm Spindle
- SP80** 80 mm Spindle



HOW TO ORDER **DOUBLE MODEL** (SEE NEXT PAGE)





HOW TO ORDER **DOUBLE** MODEL (SPECIAL ORDER ONLY)

1| SPECIFY MODEL

- AUTO1** PUSH-PUSH Operator - includes 35 mm spindles, 2 motor assemblies, 2 PUSH arms
- AUTO2** PULL-PULL Operator - includes 20 mm spindles, 2 motor assemblies, 2 PULL arms
- AUTO3** DUAL EGRESS Operator with 20 mm + 80 mm Spindles, 2 motor assemblies, 1 DUAL EGRESS, 1 PUSH arm

2| SPECIFY DOOR OPENING WIDTH

- 72** for 72" Door Opening
- 84** for 84" Door Opening
- 96** for 96" Door Opening



shown with optional Auto-IR

3| SPECIFY FINISH

- V** 628 Aluminum (standard)
- X** 710 Dark Anodized Aluminum

4| OPTIONAL ARM EXTENSION

- AUTO-AEV** Arm Extension for PUSH arm for reveal >8" (13" max), 628 Aluminum
- AUTO-AEX** Arm Extension for PUSH arm for reveal >8", Dark Bronze

5| OPTIONAL SPINDLES

- SP20** 20 mm Spindle
- SP35** 35 mm Spindle
- SP50** 50 mm Spindle
- SP80** 80 mm Spindle





AUTO ENTRYCONTROL™ ACCESSORIES

Auto-IR

Presence Sensor and Door Re-Activator



FEATURES

Auto EntryControl's™ Auto-IR Accessory allows re-activation of door before contact is made during the closing cycle, protecting slow-moving people as well as people trailing behind. It reliably detects stationary as well as moving objects in the swing path of an automatic door. When using the Auto-IR, mounted on the application side of the door, the need for an extended hold open time is eliminated, allowing the door to begin the close cycle after the minimum 5 second hold open time has elapsed.

- Exceeds ANSI 156.19 standards by offering a contactless experience
- Proven active infrared technology (distance measurement sensor using the principle of triangulation)
- Guarantees smooth and safe operation of a door intended to be used by the elderly and disabled people. Sensor is only active following a knowing activation such as pressing a wall switch
- Following a door activation, the Auto-IR remains enabled to allow continued automatic non-contact re-activation capability should someone remain in the door opening while the door is open or while it is closing



MODELS

AUTO-IR Presence Sensor and Door Activator 48", length field-adjustable

Auto-Switches

Remote Key Lock and Rocker Switches

FEATURES

The AUTO Switches series offer cost-effective, remote automatic door operator controls. Fully compatible with all Auto EntryControl operators, they provide the same OFF-AUTO-HOLD OPEN functionality as the operator's build-in switch. All models include mounting hardware and termination wire leads. Key lock switch models are keyed alike and include 2 keys. Key is removable in all 3 positions.

- Rocker switch: 20A @ 125VAC; 12A @ 250VAC
- Key lock switch: 4A @ 28VDC; 4A @ 125 VAC; 2A @ 250VAC
- Narrow faceplate: 4-1/2" x 1-3/4" Stainless Steel, designed to mount in the aluminum jamb
- Single gang faceplate: 4-5/8" x 2-7/8" Stainless Steel, designed to mount on standard electrical box

MODELS

- AUTO-KS** Single Gang key lock switch
- AUTO-KSN** Narrow key lock switch
- AUTO-RKR** Narrow rocker switch



Auto-PROG

Handheld Programmer Module for Custom Configuration

Allows for custom configuration and adjustment of:

- All inputs & outputs
- The opening/closing motion settings (e.g., speed, strength, backcheck)
- Most timers (e.g., push&go pause time, strike relay delay)
- Advanced interlock/sequencing capabilities
- Diagnostic information (e.g., errors, warnings, cycle count)

MODELS

AUTO-PROG Handhelp Programmer Module



Auto-AE

PUSH Arm Extension for Reveals Greater Than 8 Inches (13" max)



MODELS

- AUTO-AEV** Arm Extension for PUSH arm - Aluminum
- AUTO-AEX** Arm Extension for PUSH arm - Dark Bronze

SP

Spindle for Auto EntryControl™ arm



MODELS

- SP20** 20 mm Spindle
- SP35** 35 mm Spindle
- SP50** 50 mm Spindle
- SP80** 80 mm Spindle



ADA COMPLIANT ACCESSORIES

(KNOWING ACT) SEE PAGES 18-24

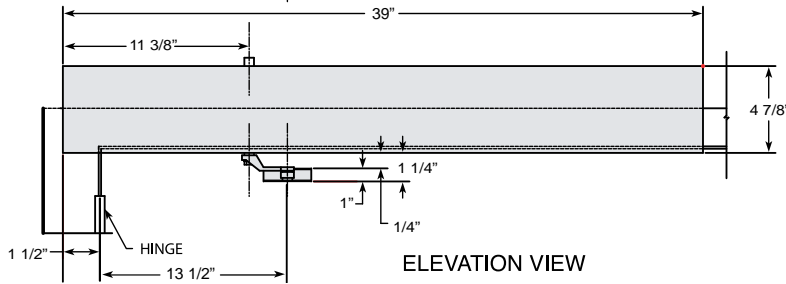
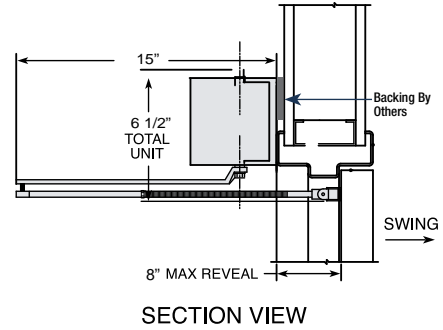
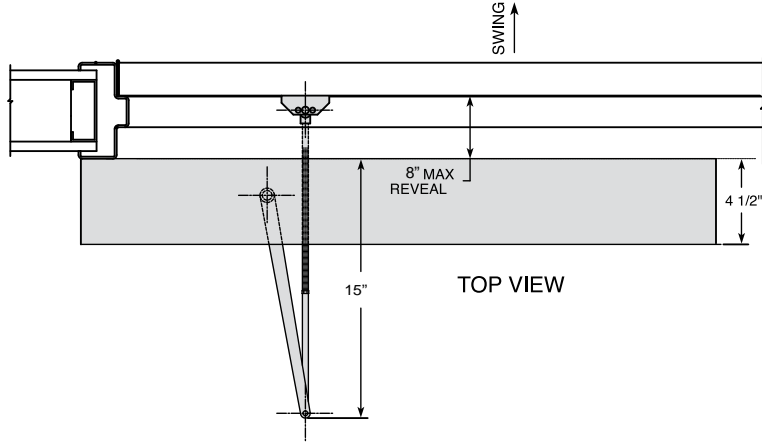




STANDARD APPLICATION

Auto 1

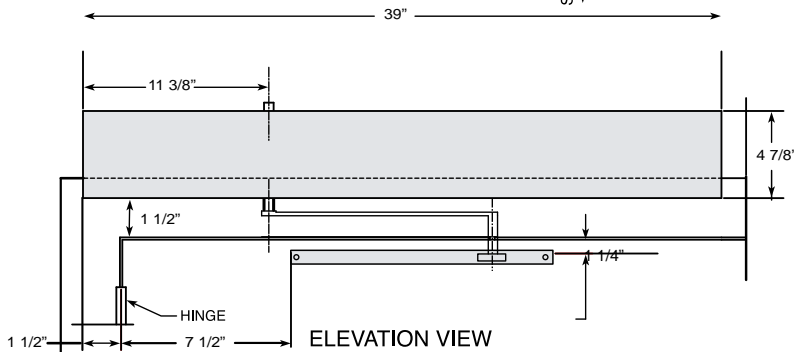
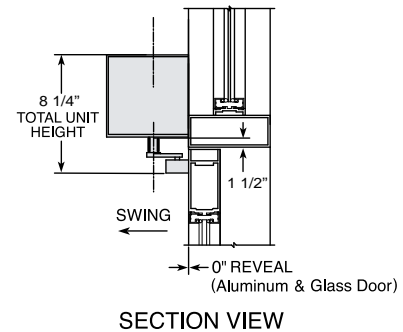
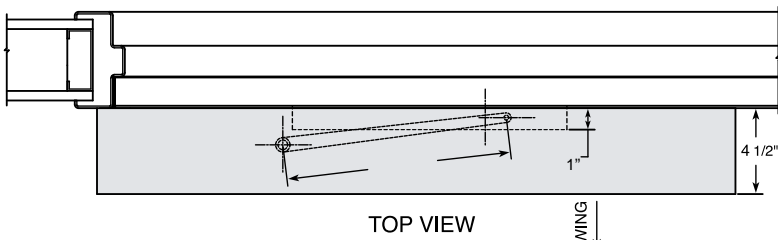
Standard Arm - PUSH Side



Hollow Metal Door Shown

Auto 2

Track Arm - PULL Side



Aluminum & Glass Door Shown



TYPICAL SYSTEM APPLICATION

(SINGLE OPERATOR)

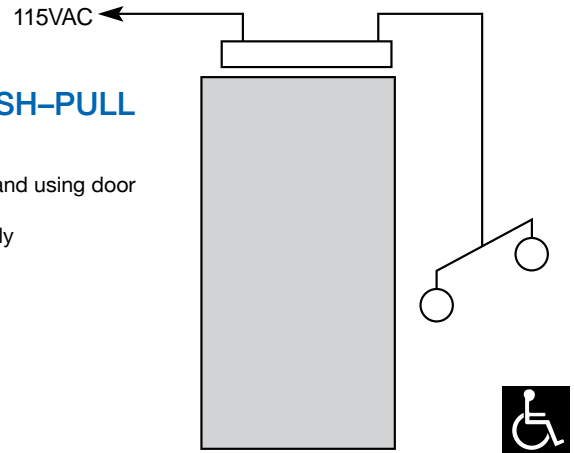
Auto EntryControl™ Low Energy Operator with PUSH-PULL

Operation: 115VAC

- Free ingress & egress using low energy operator or bypassing the operator and using door manually
- Door operator acts as standard door closer when entering or exiting manually

Material:

- Auto EntryControl™ Low Energy Operator
- 2 Door Actuators or Push and Go
- Local Power



Auto EntryControl™ Low Energy Operator with Concealed Mag Lock for Glass Door Applications

Operation: 115VAC

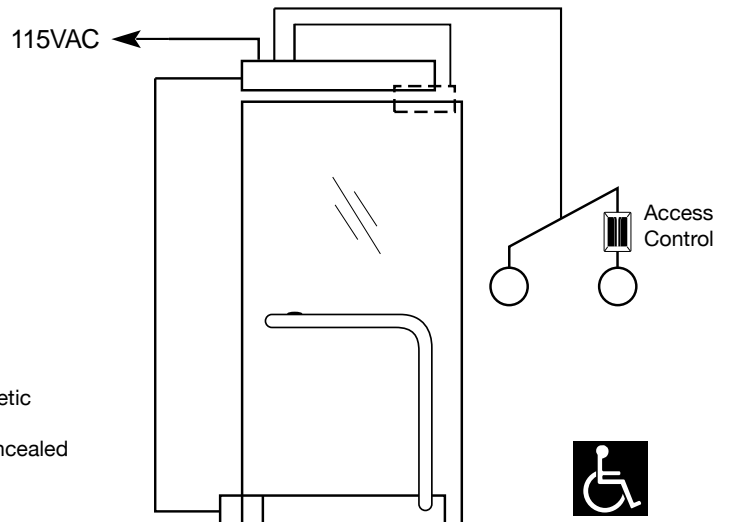
- Free entry when security system is shunted or off
- Entry after hours by card reader, which unlocks & activates low energy operator
- Free egress at all times by touching push bar or using inside actuator, which de-energizes mag lock and activates low energy operator

Material:

- Auto EntryControl™ Low Energy Operator
- Electromagnetic Shear Lock
- Electrified Pivot
- Touch Bar Sensor PUSH-PULL set
- Access Control
- SDC Actuators



Electromagnetic Shear Lock
Hi/Shear Concealed
EMLock
1560 Series



Auto EntryControl™ Low Energy Operator with Electric Latch Retraction Mortise Lock

Operation: 115VAC

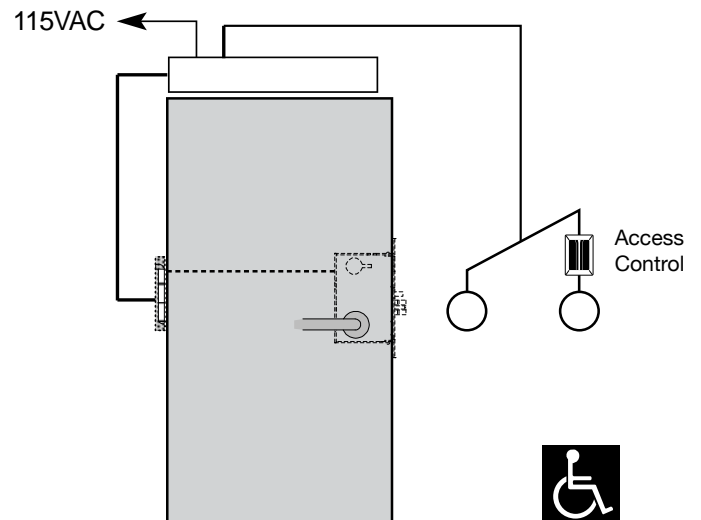
- Free entry when security system is shunted or off
- Entry after hours by card reader, which unlocks & activates low energy operator
- Free egress at all times by touching push bar or using inside actuator, which de-energizes mag lock and activates low energy operator

Material:

- Auto EntryControl™ Low Energy Operator
- Electric Latch Retraction Mortise Lock
- Electrified Pivot
- Touch Bar Sensor PUSH-PULL set
- Card Reader
- SDC Actuators



Electric Latch Retraction
Mortise Lock
Z7600 Series





TYPICAL SYSTEM APPLICATION

(DOUBLE OPERATOR)

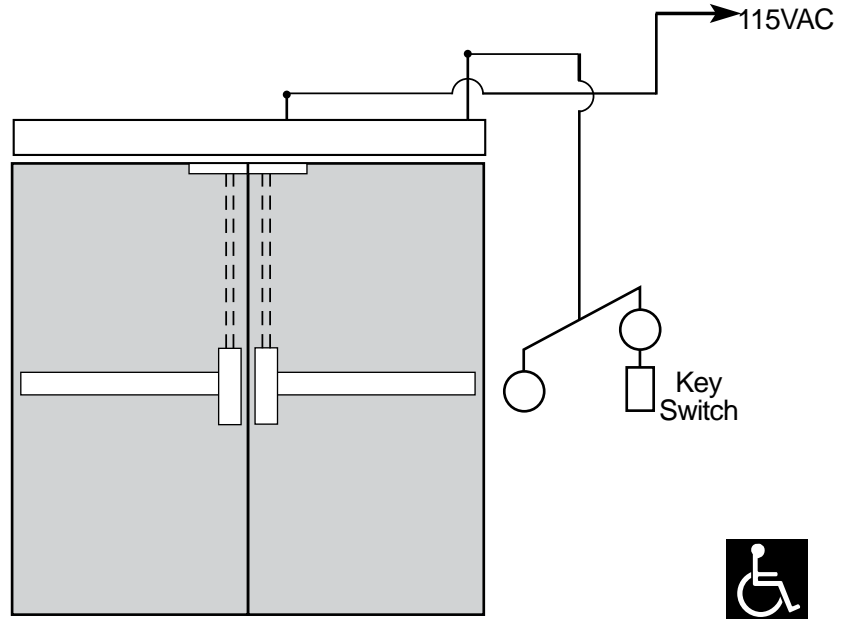
Auto EntryControl™ Low Energy Operator with Electric Strike

Operation: 115VAC

- Doors are to be closed and latched (Example: Fire Doors)
- Key switch shunts exterior actuator (Example: After hours traffic control)
- When not shunted, actuators will signal electric strike power supply and activate auto operators
- From secure side, egress by manually pushing exit devices or using inside actuator to activate auto operators

Material:

- 2 Auto EntryControl™ Low Energy Operator
- 2 Vertical Rod Exit Devices
- Electric Strike - by other
- Key Switch
- 2 Actuators



Auto EntryControl™ Low Energy Operator with Latch Retraction

Operation: 115VAC

- Doors are to be closed and latched at all times
- When activated, latch bolts are retracted and door(s) will automatically open
- Non-rated devices can be dogged for push/pull operation

Material:

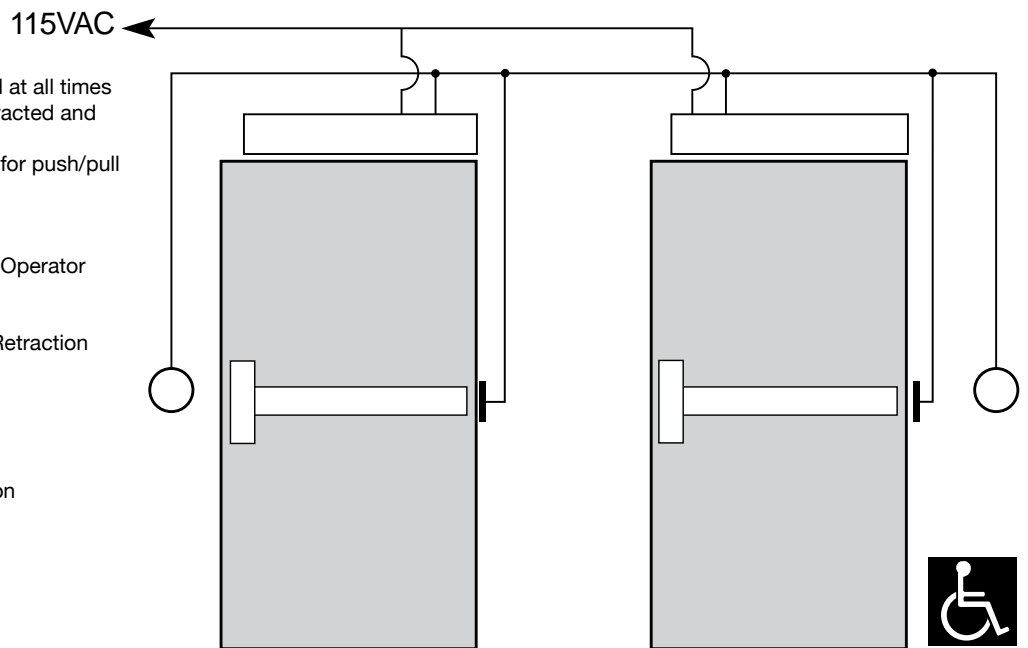
- 2 Auto EntryControl™ Low Energy Operator
- 1 Power Supply
- 2 Electric Hinges
- 2 Exit Devices with Electric Latch Retraction
- 2 Actuators



Electrified Exit Device with Latch Retraction S6000E



Electric Latch Retraction / Dogging Kit LR100





ARCHITECTURAL SPECIFICATIONS

Low Energy Operators shall:

- A. Provide door operator as recommended by manufacturer for door size, weight, and movement; for condition of exposure; and for long-term, maintenance-free operation under normal traffic load for type of occupancy indicated.
- B. Operators: Self-contained units powered by a minimum fractional horsepower, permanent magnet, low voltage, DC motor.
 - 1. Electro-mechanical Operator: Transmit power from operator to door through reduction gear train, splined spindle, door arm, and linkage assembly. Drive train shall have positive constant engagement.
 - a. Operator shall be non-handed. One operator type shall be used for in-swing, outswing, right hand or left hand. Handed operators shall not be acceptable.
 - b. Electro-Hydraulic operators, or operators requiring a manual door closer to pull the door closed following an automatic opening, shall not be acceptable.
 - c. Operator shall employ a field adjustable mechanical stop to limit door travel for the fully open or closed door position.
 - 2. Operation: Power opening and spring closing.
 - 3. Mounting: Surface applied or overhead concealed.
 - 4. Features:
 - a. Adjustable opening, and closing speeds.
 - b. Adjustable hold-open time between 0 and 30 seconds.
 - c. Stop door on obstruction.
 - d. Push and Go operation
 - e. Fire Alarm input
 - f. Door Sequencing input
 - g. Door Interlock input
 - h. LED Status indication for all inputs
- C. Closing Operation: The operator shall close the door by coiled spring energy employing the motor, as a dynamic brake to provide closing speed control. The closing spring shall be adjustable for positive closing action at a low material stress level for long spring life. Spring type shall be a clock style torsion spring. Linear type compressions springs shall not be acceptable.
- D. Manual Use: The operator shall function as a manual door closer in the direction of swing with or without electrical power. The operator shall deliver an even, consistent open force across the entire transition from door fully closed to door fully open.
- E. Electrical service to door operators shall be provided under Division 16 Electrical. Minimum service to be 120 VAC, 10 amps for doors with operators in pairs, 5 amps for single doors.



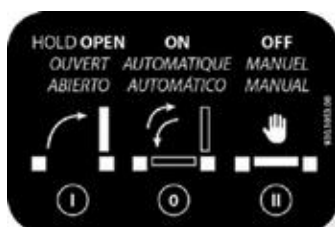
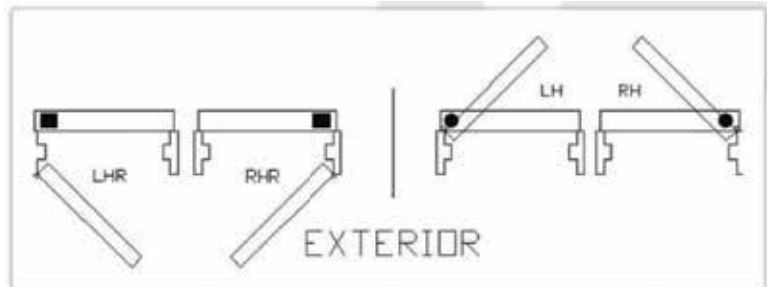
HANDING DETAILS

- One operator works for any hand of door.
- The hand depends on how the operator is mounted to the header.
- Determine the hand of the door to be automated and mount the operator & short back-plate assembly using the 5 bolts provided.
- The removeability of the motor assembly makes installation and mounting easy.
- On-Off-Hold Switch on outside of housing



PUSH

PULL



Dual Switch Bollard Post

High-Low CBC compliant Bollard with Switch Plates Combo



Alternative to wall mounted access control or switches for entry doors. Bollard post provide visibility and meet accessibility guidelines. **Practical solution for surface mount and California Building Code compliance.**

FEATURES

- CBC 2016 Section 11B 404.3 code compliant bollard and switch plates
- Black HDPE removable cap
- Two 4-1/2" 'Push to Open' blue infill push plates, located at 7" and 36" centerline from floor
- 6" square post with 1/8" walls
- Surface mount (42")



MODELS

- CBC482A4U** 42" surface mount, 6" square post, with high and low 4-1/2" SPDT switch plates
- CBC484A4U** 42" surface mount, 6" square post, with high and low 4-1/2" DPDT switch plates

480 Series CBC Push Plate Kit

CA High-Low compliant Wireless Push Plate Switch Kit



Designed to control automatic door or electrified locking hardware with wireless Push Plate Switch access. Each Kit contains four 4-1/2" Push Plate Switches (square, 480 series,) four matching surface mount back boxes (square, 480 series,) four wireless transmitters (400W1-433, 9V Batteries included) and one wireless nano receiver (400RC433).



FEATURES

- Pressing Any Part of the Push Plates 4 1/2" Active Area Causes Switch Actuation
- Surface Box Mount
- Transmitter: Pre-Wired for Quick Installation
- Transmitter Antenna Magnifies Signal
- Receiver Designed to Control Automatic Closing and Anti-Burglar Systems

MODELS

- 482S-CBCKIT** Wireless Push Plate Switch Kit - SQUARE Switches



Bollard Post

For Push Plate Or Touch Panel Applications



S and D prep
(shown with
4-1/2" Push Plate Switch -
sold separately)



P prep
(shown with
36" Touch Panel - sold
separately)

FEATURES

- For use with Push Plates, Touch Panel Columns & Exit Switches (sold separately)
- Black HDPE removable cap
- 6" square with 1/8" walls
- Standard single gang prep located at 36" from finished floor
- Surface mount (42") or In-Ground mount (54")

MODELS

- BPS6** 42" surface mount, 6" square post
BPG6 54" in-ground, 6" square post

APPLICATION

- Alternative to wall mounted access control or switches for entry doors.
- Bollard post provide visibility and meet accessibility guidelines.
- Practical solution for surface mount or in-ground installation.

PRODUCT SKU SAMPLE: **BPG6 D V 484A4U 400W1-433 400RC433**

HOW TO ORDER

1| SPECIFY MODEL

- BPS6** 42" surface mount, 6" square post
BPG6 54" in-ground, 6" square post

2| SPECIFY PREP

- S** 1-gang prep
D 2-gang prep (not suitable for Vestibule Switches)
P Touch Panel prep
A Narrow Mullion Prep

3| SPECIFY FINISH

- V** 628 Aluminum (standard)
X 710 Dark Anodized Aluminum

4| SPECIFY PUSH PLATE OR TOUCH PANEL (SOLD SEPARATELY)

- 482O4U** Push Plate Switch 4-1/2 square, Push to Open, Black Infill, SPDT
482A4U Push Plate Switch 4-1/2 square, Ⓜ Push to Open, Blue Infill, SPDT
484O4U Push Plate Switch 4-1/2 square, Push to Open, Black Infill, DPDT
484A4U Push Plate Switch 4-1/2 square, Ⓜ Push to Open, Blue Infill, DPDT
482AA36 Touchpanel 36", Ⓜ Push to Open, Blue Infill, SPDT
484AA36 Touchpanel 36", Ⓜ Push to Open, Blue Infill, DPDT

5| SPECIFY WIRELESS TRANSMITTER (OPTIONAL - SOLD SEPARATELY)

- 400W1-433** 433MHz Micro Transmitter
400RC433 433MHz One Channel Receiver



= can be used with wireless transmitter and receiver

Meets ANSI A156.19; ADAAG 4.30; ADA 1990

1-11/16" Narrow Mullion Push Plate Switch

Recessed, Surface Box or Bollard Mount



MODELS

- 48201U** Push to Open, black infill, SPDT
- 482A1U** ♿ Push to Open, blue infill, SPDT
- 48401U** Push to Open, black infill, DPDT
- 484A1U** ♿ Push to Open, blue infill, DPDT

FEATURES

- Designed to flush-mount directly into narrow jamb
- Requires narrow mullion prep
- 4-1/2" x 1-11/16"
- Depth: SPDT - 7/8" deep; DPDT - 1-1/2" deep

ACCESSORIES

- 400-1B** Narrow Mullion Surface Box, 1-3/4" x 4-9/16" x 1-3/4" H (Recommended for SPDT or hardwired DPDT)



4" Square Vestibule Push Plate Switches

Recessed, Surface Box or Bollard Mount



482A4VWPU



484A4VWU



482A4VWPB



484A4VPU

FEATURES

- Pressing any part of the push plates 4" split active area causes switch actuation
- 2 Gang Wallmount or Surface Box Mount
- Depth: 2x SPDT 7/8" deep

MODELS

- 482A4VWPU** ♿ Push to Open, L / R Arrow, blue infill, Vestibule Split Buttons, SPDT
- 482A4VWU** ♿, L / R Arrow, blue infill, Vestibule Split Buttons, SPDT
- 482A4VPU** L / R Arrow, Push to Open, black infill, Vestibule Split Buttons, SPDT
- 482A4VWPB** ♿ Push to Open, L / R Arrow, white infill on blue back, Vestibule Split Buttons, SPDT

ACCESSORIES

- 480-4SBB** Surface mount box, 4-1/2" x 4-1/2" x 1 3/4" O.D. with Battery compartment for wireless

2 3/4" x 4 1/2" Single (1) Gang Push Plate Switch

Surface Box or Bollard Mount



FEATURES

- Pressing any part of the push plate (2 3/4" x 4 1/2") causes switch actuation
- Surface Box or Bollard Mount
- Depth: SPDT - 7/8" deep; DPDT - 1 1/2" deep

MODELS

- 48202U** Push to Open, black infill, SPDT
- 482A2U** ♿ Push to Open, blue infill, SPDT
- 48402U** Push to Open, black infill, DPDT
- 484A2U** ♿ Push to Open, blue infill, DPDT

ACCESSORIES

- 480-2SB** Surface mount box 2 3/4" x 4 1/2" x 1 5/8" H



= can be used with wireless transmitter and receiver

Meets ANSI A156.19;
ADAAG 4.30; ADA 1990



4 1/2" x 4 1/2" Square Push Plate Switches

Recessed, Surface Box or Bollard Mount



FEATURES

- Pressing any part of the push plates 4 1/2" x 4 1/2" active area causes switch actuation
- 1 Gang or 2 gang recessed or Surface Box Mount
- Depth: SPDT 7/8" deep; DPDT 1 1/2" deep

MODELS

- 48204U** Push to Open, black infill, SPDT
- 482A4U** ♿ Push to Open, blue infill, SPDT
- 48404U** Push to Open, black infill, DPDT
- 484A4U** ♿ Push to Open, blue infill, DPDT



High Density Polyethylene (HDPE)

FEATURES

- Pressing any part of the push plates 4" x 4" active area causes switch actuation
- 1 Gang recessed or Surface Box Mount
- Depth: SPDT 3/4" min; DPDT 1-5/32" min

MODELS

- 482A4SPH** ♿ Push to Open, white infill on blue back, HDPE, SPDT
- 484A4SPH** ♿ Push to Open, white infill on blue back, HDPE, DPDT

ACCESSORIES

- 480-4FB** Square Flush Recessed box, 6 3/4" x 6 3/4" x 2-1/8" H.
- 480-4SBB** Surface mount box, 4-1/2" x 4-1/2" x 1 3/4" H with Battery compartment for wireless
- 480-4SB** Surface mount box, Tamper-Resistant, 5-1/2" x 5-1/2" x 2-1/8" H



6" x 6" Square Push Plate Switches

Recessed, Surface Box or Bollard Mount



FEATURES

- Pressing any part of the push plates 6" x 6" active area causes switch actuation
- 1 Gang or 2 gang recessed or 4S Box or Surface Box Mount
- Depth: SPDT 7/8" deep; DPDT 1 1/2" deep

ACCESSORIES

- 480-6SBB** Surface mount box, 2-gang Battery Compartment, 4 1/2" x 4 1/2" x 1 3/4" H



MODELS

- 48206U** Push to Open, black infill, SPDT
- 482A6U** ♿ Push to Open, blue infill, SPDT
- 48406U** Push to Open, black infill, DPDT
- 484A6U** ♿ Push to Open, blue infill, DPDT

= can be used with wireless transmitter and receiver

Meets ANSI A156.19;
ADAAG 4.30; ADA 1990



4 1/2" Round Push Plate Switches

Recessed, Surface Box or Bollard Mount



FEATURES

- Pressing any part of the push plates 4" 1/2 active area causes switch actuation
- 1 Gang recessed or Surface Box Mount
- Depth: SPDT 7/8" deep; DPDT 1-1/2" deep

MODELS

- 482O4RU** Push to Open, black infill, SPDT
- 482A4RU** Push to Open, blue infill, SPDT
- 484O4RU** Push to Open, black infill, DPDT
- 484A4RU** Push to Open, blue infill, DPDT

ACCESSORIES

- 480-4RSB** Surface box, 5" Dia., 2 1/8" H (not shown)
- 480-4RG** 4" round gasket for 4RSB or 4RFB box
- 480-4RFB** Recessed Mount Box, 6-3/8" overall diameter with trim ring
- 480-4RRB** Surface Escutcheon, 7-7/8" Dia., 1-9/16" overall height



6" Round Push Plate Switches

Recessed, Surface Box or Bollard Mount



FEATURES

- Pressing any part of the push plates 6" active area causes switch actuation
- 1 Gang or 4S recessed or Surface Box Mount
- Depth: SPDT 7/8" deep; DPDT 1 1/2" deep

MODELS

- 482O6RU** Push to Open, black infill, SPDT
- 482A6RU** Push to Open, blue infill, SPDT
- 484O6RU** Push to Open, black infill, DPDT
- 484A6RU** Push to Open, blue infill, DPDT



High Density Polyethylene (HDPE)

FEATURES

- Pressing any part of the push plates 6" active area causes switch actuation
- 1 Gang recessed or Surface Box Mount
- Depth: SPDT 7/8" min; DPDT 1 1/2" min

MODELS

- 482A6RPH** Push to Open, white infill on blue back, HDPE, SPDT
- 484A6RPH** Push to Open, white infill on blue back, HDPE, DPDT

ACCESSORIES

- 480-6RSB** Surface box Round, 6 7/16" Dia., 2 1/8" Depth (not shown)
- 480-6RG** 6" round gasket for 6RSB or 6RFB
- 480-6RFB** Recessed Flush Escutcheon, 7 3/4" overall diameter with trim ring



= can be used with wireless transmitter and receiver

Meets ANSI A156.19;
ADAAG 4.30; ADA 1990



Ingress-R.E.X Touch Panel Column

Surface or Bollard Mount



FEATURES

- 9" x 6" Ingress-R.E.X Touch Panel Column
- Fully Active 22-1/2 Sq. Inch Actuation Area

MODELS

- 482AA9** ♿ Push to Open, blue infill, SPDT

SPECIFICATIONS

| | |
|-----------------------------------|---|
| Centerline Mounting Height | Recommended 34" to 48" |
| Material | Sturdy 1/8" extrusion with architectural finish |
| Finish | V 628 Aluminum (standard) X 710 Dark Anodized Aluminum, white infill |
| Overall Size | 9" H x 6" W x 1-1/2" D |
| Active Area | 9" H x 2-1/2" W |

FEATURES

- 36" x 6" Ingress-R.E.X Touch Panel Column Fully Active 90 Sq. Inch Actuation Area
- Recommended mounting height is 3" from floor

MODELS

- 482AA36** ♿ Push to Open, blue infill, SPDT
484AA36 ♿ Push to Open, blue infill, DPDT

SPECIFICATIONS

| | |
|---------------------|---|
| Material | Sturdy 1/8" extrusion with architectural finish |
| Finish | V 628 Aluminum (standard) X 710 Dark Anodized Aluminum, white infill |
| Overall Size | 36" H x 6" W x 1-1/2" D |
| Active Area | 36" H x 2-1/2" W |



474 No Touch Switch Series

Wave-To-Open Switch



FEATURES

474 Touchless Switches use Active IR Sensor Technology. A simple wave of the hand in front of the 474 Touchless Switch activates the switch to control electric locks/strikes, magnetic locks, or automatic door operators for entry or egress. 474 Touchless Switches come standard with an adjustable 2"-7" activation read range.

MODELS

- 474U** No Touch Switch SPDT, Single Gang faceplate 'WAVE TO OPEN' inprint
474DU No Touch Switch SPDT, Double Gang faceplate 'WAVE TO OPEN' inprint
474MU No Touch Switch SPDT, Single Gang faceplate, Manual Override Button*



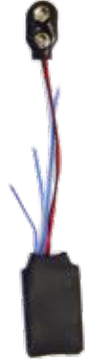
= can be used with wireless transmitter and receiver

Meets ANSI A156.19;
ADAAG 4.30; ADA 1990

Wireless Transmitter & Receiver

For Remote Control Versatility for Touch Panel Column and Push Plate Switches.
75 foot wireless range (less barriers).

433MHz Micro Transmitter



FEATURES

- Requires a non-metallic surface box or standard bollard cap (non-metallic)
- Pre-Wired for quick installation
- Antenna magnifies signal
- Works with 400RC433

MODELS

400W1-433 433MHz Micro Transmitter

SPECIFICATIONS

| | |
|----------------------|----------------------------|
| Voltage Input | 9V Battery (included) |
| Trigger Input | Momentary, N.O.Dry Contact |
| Temperature | -20F — 100F |
| Dimensions | 1-9/64" x 15/16" x 7/32" |

433MHz 1 Channel Nano Receiver

Designed to control automatic door or electrified locking hardware with code-hopping technology for increased security.



FEATURES

- Works with 400W1-433

MODELS

400RC433 433MHz 1 Channel Receiver

SPECIFICATIONS

| | | | |
|--------------------------|------------|---------------------|----------------------------|
| Carrier Frequency | 433.92 MHz | Power Supply | 12/24 VAC/ DC |
| Relay Numbers | 1 | Dimensions | 1-1/4" x 2" x 3/4" Deep |
| Temperature | -4F — 158F | | |
| Contacts | C-NO | | |

Wireless Push Plate Switch Kit

Designed to control automatic door or electrified locking hardware with wireless Push Plate Switch access. Each Kit contains two 4-1/2" Push Plate Switches (round or square, 480 series,) two matching surface mount back boxes (round or square, 480 series,) two wireless transmitters (400W1-433, 9V Batteries included) and one wireless nano receiver (400RC433).

FEATURES

- Pressing Any Part of the Push Plates 4 1/2" Active Area Causes Switch Actuation
- Surface Box Mount
- Transmitter: Pre-Wired for Quick Installation
- Transmitter Antenna Magnifies Signal
- Receiver Designed to Control Automatic Closing and Anti-Burglar Systems



MODELS

482S-KIT Wireless Push Plate Switch Kit - SQUARE Switches



482R-KIT Wireless Push Plate Switch Kit - ROUND Switches

