

# VB-R11



## Keep every angle covered

A 1.3 MP 30x zoom PTZ for indoor applications, which offers versatile high quality live monitoring even in low light and features continuous 360° rotation and Auto Flip for precise and responsive targeting.



With recessed mount kit



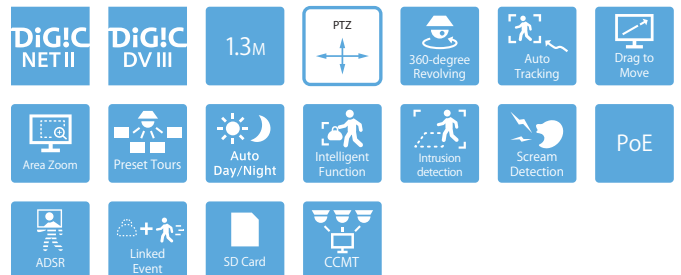
With pendant adapter



- 1.3 MP indoor continuous 360° PTZ with Auto-Flip for easy tracking of subjects
- Excellent low light performance, near or far, with f/1.4-4.6, 30x IR Corrected High-UD zoom lens with a wide 58.4° angle of view
- Effective and precise tracking of fast moving subjects with a highly accurate and responsive 450°/s Pan/Tilt mechanism
- Improved bandwidth control and easy setting of area specific image quality with ADSR technology
- Enhance your ability to identify alarming situations with inbuilt intelligent Intruder and Scream detection

### Product Range

**VB-R11**  
VB-H43/B  
VB-M42/B



# Technical Specifications

# VB-R11

CAMERA	
<b>Image Sensor</b>	1/3 type CMOS (primary color filter)
<b>Number of Effective Pixels</b>	Approx. 1.3 million pixels
<b>Scanning Method</b>	Progressive
<b>Lens</b>	30x optical zoom (20x digital zoom) lens with auto focus
<b>Focal Length</b>	4.4 (W) - 132 mm (T) <sup>1)</sup>
<b>F-number</b>	F1.4 (W) - F4.6 (T)
<b>Viewing Angle</b>	<b>For 16:9 aspect ratios:</b> Horizontal: 58.4° (W) - 2.1° (T) Vertical: 34.1° (W) - 1.2° (T) <b>For 4:3 aspect ratios</b> Horizontal: 58.4° (W) - 2.1° (T) Vertical: 45.0° (W) - 1.6° (T)
<b>Day/Night Switch</b>	Auto / Day Mode / Night Mode
<b>Min. Subject Illumination</b>	<b>(F1.4, shutter speed 1/30 sec., when smart shade control is off, 50IRE)</b> Day Mode (colour): 0.03 lux Night Mode (mono): 0.002 lux  When using the Dome Unit (Smoked) (sold separately) Day Mode (colour): 0.06 lux Night Mode (mono): 0.004 lux
<b>Focus</b>	Auto / One-shot AF / Manual / Fixed at infinity
<b>Shooting Distance (from front of lens)</b>	Day Mode: 0.3 m (12 in.) - infinity (W), 2.0 m (6.6 ft.) - infinity (T) Night Mode: 1.0 m (3.3 ft.) - infinity (W), 2.0 m (6.6 ft.) - infinity (T)
<b>Shutter Speed</b>	1, 1/2, 1/4, 1/8, 1/15, 1/30, 1/50, 1/60, 1/100, 1/120, 1/250, 1/500, 1/1000, 1/2000, 1/4000, 1/8000, 1/10000, 1/16000 sec.
<b>Exposure</b>	Auto / Auto (Flickerless) / Auto (Shutter-priority AE) / Manual (Shutter Speed, Aperture, Gain)
<b>White Balance</b>	Auto / Light Source / Manual Light Source: Daylight Fluorescent / White Fluorescent / Warm Fluorescent / Mercury Lamp / Sodium Lamp / Halogen Lamp Manual: One-shot WB / R Gain / B Gain
<b>Metering Mode</b>	Center-Weighted / Average / Spot
<b>Exposure Compensation</b>	9 levels
<b>Smart Shade Control</b>	Auto / Manual / Disable Auto: 3 levels Manual: 7 levels - Brightens shaded areas of a video
<b>Haze Compensation</b>	Auto/Manual / Disable Auto: 3 levels Manual: 7 levels
<b>AGC Limit</b>	6 levels
<b>Image Stabilizer</b>	2 levels (digital)
<b>Pan Angle Range</b>	360° continuous panning
<b>Tilt Angle Range</b>	180° (ceiling-mounted position: 0° - 180°) - When the horizontal direction of the camera is 0°
<b>Moving Speed</b>	Pan: Max. 450°/sec. Tilt: Max. 450°/sec.
SERVER	
<b>Video Compression Method</b>	JPEG, H.264
<b>Video Size</b>	JPEG, H.264: 1280 x 720, 640 x 360, 320 x 180 1280 x 960, 640 x 480, 320 x 240
<b>Video Quality</b>	JPEG, H.264: 10 levels
<b>Frame Rate</b>	JPEG: 0.1 - 30 fps H.264: 1/2/3/5/6/10/15/30 fps  - Values represent streaming performance from the camera. - The frame rate may be reduced due to Viewer computer's specs, the number of clients accessing at the same time, network loads, video quality setting, type or movement of the subject or other reasons.  Maximum frame rate when used in the following combinations: When streaming H.264(1) (1280 x 720) and H.264(2) (1280 x 720) simultaneously: 15 fps When streaming H.264(1) (1280 x 960) and H.264(2) (1280 x 960) simultaneously: 15 fps
<b>I-Frame Interval</b>	0.5/1/1.5/2/3/4/5 sec.
<b>Simultaneous Client Access</b>	Max. 30 Clients + 1 Admin Client - H.264: Max. 10 Clients
<b>Bit Rate Control</b>	Target Bit Rate: 64 / 128 / 256 / 384 / 512 / 768 / 1024 / 1536 / 2048 / 3072 / 4096 / 6144 / 8192 / 10240 / 12288 / 14336 / 16384 kbps
<b>ADSR: Area-specific Data Size Reduction</b>	Number of Specified Areas: Max. 8 areas Data Size Reduction Level: 3 levels
<b>Security</b>	Camera Control: Administrator, Authorized user, Guest user (level of control varies depending on user) Access Control: User authority (user name and password), Host Access Restrictions (IPv4, IPv6) IEEE802.1X: EAP-MD5, EAP-TLS, EAP-TTLS, EAP-PEAP Encrypted Communications: SSL/TLS, IPsec
<b>Protocol</b>	IPv4, IPv6, TCP/IP, UDP, HTTP, FTP, SNMPv1/v2c/v3 (MIB2), DHCP, DNS, AutoIP, mDNS, ARP, ICMP, POP3, NTP, SMTP, RTP/RTCP, RTSP, SSL/TLS, IPsec, ONVIF, WV-HTTP (Canon proprietary)

<b>Audio Compression Method</b>	G.711 $\mu$ -law (64 kbps)
<b>Audio Communication Method</b>	Full-duplex (two-way) - Echo cancellation function compliant RTP, Sound Transfer Protocol by Canon
<b>Audio File Playback</b>	Available (audio files can be played back when an event is triggered by the intelligent function or external device input.) - A third-party amplifier speaker is necessary
<b>Privacy Mask</b>	Number of registration: Max. 8 places, Number of mask colors: 1 (select from 9 colors)
<b>View Restriction</b>	Available
<b>Presets</b>	Number of registers: Max. 256 positions (+Home Position) Items to Reg.: Pan / Tilt / Zoom, Exposure, Smart Shade Control, Focus, White Balance, Video Quality Adjustment, Day / Night, Haze Compensation Number of Preset Tour Route: Max. 5
<b>Intelligent Function (Video)</b>	Detection Types: Moving Object Detection, Abandoned Object Detection, Removed Object Detection, Camera Tampering Detection, Passing Detection, Intrusion Detection, and Auto Tracking Detection Settings: Max. 15 Non-detection Area Settings: Available
<b>Intelligent Function (Audio)</b>	Volume Detection, Scream Detection
<b>Event Trigger Type</b>	External Device Input, Intelligent Function (Video), Intelligent Function (Audio), Timer, Day / Night Switch Number of Linked Events: 2 Linked Event Conditions: AND, OR (whether or not there is a sequence to events)
<b>Image Upload</b>	FTP/HTTP/SMTP (e-mail)
<b>Event Notification</b>	HTTP/SMTP (e-mail)
<b>On-Screen Display</b>	Available
<b>Daylight Saving Time</b>	Available
APPLICATION	
<b>Viewer</b>	Camera Viewer Mobile Camera Viewer
<b>Included Software</b>	Camera Management Tool RM-Lite Recorded Video Utility
<b>Language</b>	German / English / Spanish / French / Italian / Polish / Russian / Turkish / Chinese (Simplified) / Japanese
<b>Operating System/Compatible Browser</b>	Windows Vista, Internet Explorer 9 Windows 7, Internet Explorer 11/Chrome 54 Windows 8.1, Internet Explorer 11/Chrome 54 Windows 10, Internet Explorer 11/Microsoft Edge/Chrome 54 Windows Server 2008, Internet Explorer 9 Windows Server 2008 R2, Internet Explorer 11/Chrome 54 Windows Server 2012, Internet Explorer 10/Chrome 54 Windows Server 2012 R2, Internet Explorer 11/Chrome 54 Windows Server 2016, Internet Explorer 11/Chrome 54
<b>Verified Mobile Devices</b>	Surface, iPad, iPhone, Nexus, Galaxy
INTERFACE	
<b>Network Terminal</b>	LAN x 1 (RJ45, 100Base-TX (auto / full-duplex / half-duplex))
<b>Audio Input Terminal (common for LINE IN &amp; MIC IN)</b>	$\phi$ 3.5 mm ( $\phi$ 0.14 in.) mini-jack connector (monaural) LINE IN (connect to an amplifier microphone) or MIC IN (connect to a microphone w/o amplifier) - Switch LINE IN / MIC IN in the setting page.
<b>Audio Output Terminal (LINE OUT)</b>	$\phi$ 3.5 mm ( $\phi$ 0.14 in.) mini-jack connector (monaural) LINE OUT (connect to an amplifier speaker)
<b>External Device I/O Terminal</b>	Input x 2, Output x 2
<b>Memory Card</b>	SD Memory Card, SDHC Memory Card, SDXC Memory Card Compatible. Recorded Content: Log, Video (Event, Manual, ONVIF, Timer, Upload) Frame Rate: Max. 1 fps (JPEG) Max. 30 fps (H.264)
OTHER	
<b>Operating Environment</b>	Temperature AC, DC, PoE: -10°C - +50°C (+14°F - +122°F)  Humidity 5% - 85% (without condensation)
<b>Power Supply</b>	PoE: PoE power supply via LAN connector (IEEE802.3at Type1 compliant) AC Adapter: PA-V18 (100 - 240 V AC) (sold separately) External power source: 24 V AC/12 V DC
<b>Power Consumption</b>	PoE: Max. approx. 9.5 W AC Adapter PA-V18: Max. approx. 9.6 W (100 V AC) Max. approx. 9.8 W (240 V AC) DC: Max. approx. 8.8 W AC: Max. approx. 9.2 W
<b>Dimensions</b>	( $\phi$ x H) $\phi$ 199 x 199 mm ( $\phi$ 7.83 x 7.83 in.) - Camera only (excluding Ceiling Plate)
<b>Weight</b>	Approx. 1990 g (4.39 lb.)
<b>International Standard</b>	EN55032 Class B, FCC part15 subpart B Class B, ICES-003 Class B, VCCI Class B, RCM AS/NZS EN55022 Class B, KN22 Class B, EN55024, KN24, EN50581 IEC/UL/EN60950-1, EN50130-4

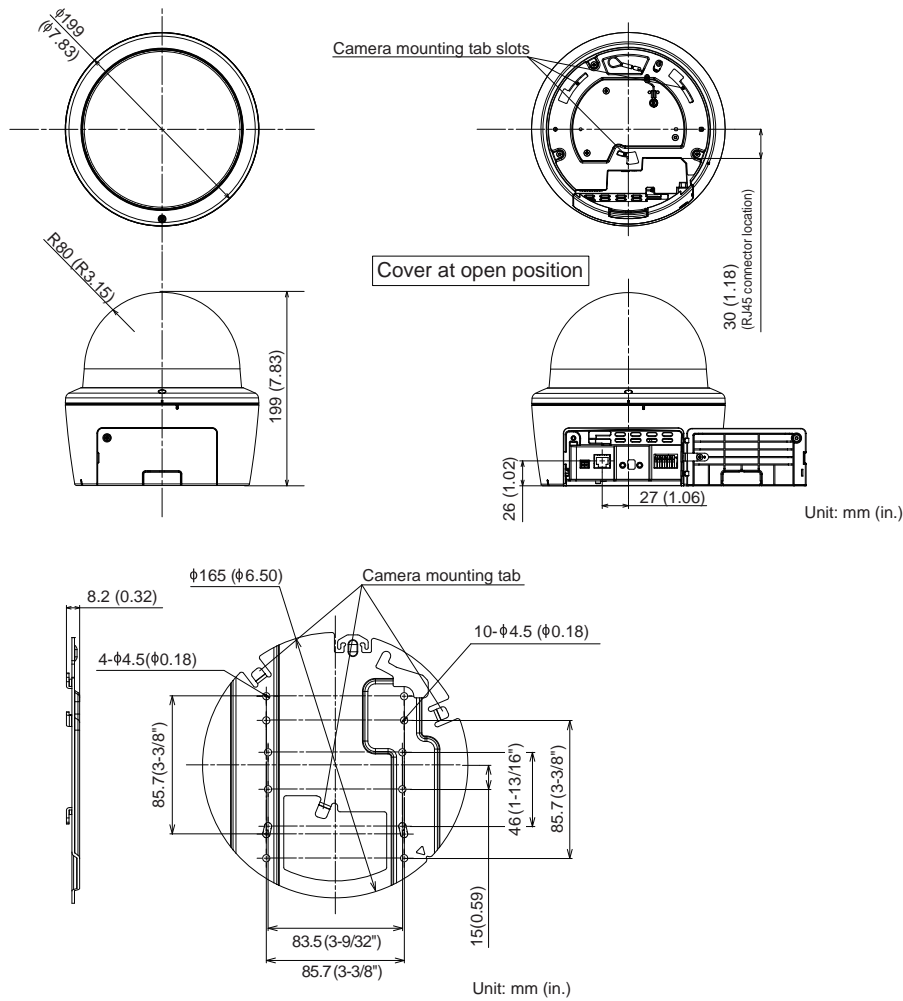
# Technical Specifications

# VB-R11

## What's in the box?

- VB-R11 Main Unit
- Setup CD-ROM
- Ceiling Plate
- Wrench
- Template
- Power Connector
- Installation Guide
- Warranty Card
- Leaflet of Warranty Card
- Packaging

## Dimensions



## Compatible Accessories



Keep every angle covered

# VB-R11

A 1.3 MP 30x zoom PTZ for indoor applications, which offers versatile high quality live monitoring even in low light and features continuous 360° rotation and Auto Flip for precise and responsive targeting.



Sales Start Date: July 2015

#### Product Details:

Product Name	Mercury Code	EAN Code
Network Camera VB-R11	0306C001AB	4549292032482

#### Optional Accessories:

Product Name	Mercury Code	EAN Code
Recessed Mounting Kit SR11-S-VB	0714C001AA	4549292043488
Plenum Recessed Mounting Kit SR11-P-VB	0716C001AA	4549292043501
Pendant Mounting Kit PC640-VB	0719C001AA	4549292043532
Smoked Dome Unit DU10-S-VB	0721C001AA	4549292043556
AC Adapter PA-V18 (E)	8362B002AA	4960999986791
AC Adapter PA-V17 (GB)	2245B003AA	4960999480206

#### Measurement / Logistic Information:

Product Name	Mercury code	Pack type	Pack description	Quantity per pack	Length (mm)	Width (mm)	Height (mm)	Net Weight (kg)	Gross Weight (kg)
Network Camera VB-R11	0306C001AB	EA	Each	1	283	323	302	2.0	3.5
		CT	Carton	2	322	588	359	4.0	
		EP	Euro Pallet	12				23.9	