

AXIS P33 Network Camera Series — Indoor models

Fixed domes for any environment with remote focus and zoom



- > Exceptional image quality including 5 MP and HDTV
- > WDR and Lightfinder
- > OptimizedIR
- > Remote focus and zoom
- > P-Iris control
- > IK10 impact-resistant models

AXIS P33 Network Cameras constitute a series of indoor and outdoor-ready fixed domes. These cameras are ideal for unobtrusive video surveillance, day and night, in exposed areas such as city surveillance, airports, railway stations, retail stores, office buildings, museums, schools and university campuses.

AXIS P33 Series offers models with exceptional image quality in up to 5 megapixel, including SMPTE-compliant HDTV 720p and 1080p video. AXIS P33 Series provides multiple, individually configurable H.264 and Motion JPEG video streams.

The HDTV 720p/1 MP models support Axis' Lightfinder technology, which makes these cameras extremely sensitive to low light. AXIS P3384-V that additionally supports Wide Dynamic Range – Dynamic Capture, provides outstanding video quality in the most demanding conditions with strong variations in light. The 5 megapixel model, AXIS P3367-V, can cover a large area with exceptional detail and light sensitivity. All AXIS P33 models support P-Iris control for optimal image clarity.

AXIS P3364-LV incorporates new long-life LED technology that is highly power-efficient. Adjustable in angle and intensity, the built-in OptimizedIR solution offers easy configuration optimizing for the scene.

All AXIS P33 cameras support the remote focus capability that eliminates hands-on focusing at the camera, and remote zoom that allows the camera's angle of view to be optimized.

All AXIS P33 cameras offer digital pan/tilt/zoom and the 2-megapixel, 3-megapixel and 5-megapixel models additionally provide multi-view streaming. AXIS P33 Series has low, environmental-friendly power consumption, supplied by standard Power over Ethernet (IEEE 802.3af).



Fixed domes designed for efficient installation

AXIS P33 Network Cameras are designed for professional video surveillance with easy and reliable installation in focus. Indoor models of AXIS P33 Series are the perfect choice for a wide range of demanding video applications.

Lightfinder technology

The HDTV 720p/1 MP models of AXIS P33 Series incorporate Axis' unique Lightfinder technology. The outstanding light sensitivity, with maintained colors even in very poor lighting conditions, is obtained by a combination of Axis' expertise in image processing, system-on-chip development and selection of the best optical components.

For more on Lightfinder technology, go to:
www.axis.com/corporate/corp/tech_papers.htm

Wide Dynamic Range – Dynamic Capture

AXIS P3384-V that supports WDR – Dynamic Capture is ideal for surveillance in areas with strong variations in light, for instance close to large windows and entrances, where the sunlight creates both very bright zones and dark shadows. AXIS P3384-V enables easy and clear identification of people and objects both in bright and dark areas.

Built-in IR illumination

AXIS P3364-LV features Axis' OptimizedIR technology based on new, long-life LED technology that is highly power efficient. This results in high-quality, low-noise video also when the environment is completely dark.

P-Iris control

AXIS P33 Series features the advanced precise iris control that comprises a special P-Iris lens, together with dedicated software in the camera,

to set the best iris position for optimal depth of field, resolution, image contrast and clarity. Good depth of field implies that objects at different distances from the camera are in focus simultaneously.

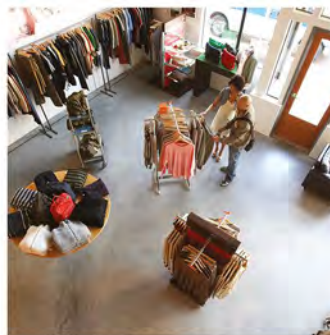
For more on P-Iris and iris control, go to:
www.axis.com/corporate/corp/tech_papers.htm

Easy installation

AXIS P33 Network Cameras offer unique installation capabilities including remote focus and zoom. The remote focus feature enables convenient focusing over the network, eliminating the need for hands-on fine tuning at the camera. The remote zoom functionality ensures that the camera's angle of view can be optimized for the area to be monitored. The pixel counter assures that the required pixel resolution is met. Thanks to Axis' OptimizedIR technology, AXIS P3364-LV automatically adapts the illumination angle with the zoom level, which simplifies installation.

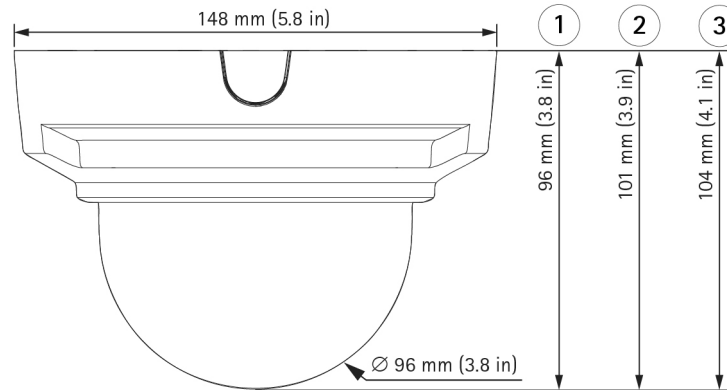
Mounting options

AXIS P33 Series offers a wide range of optional kits for indoor installations, for example, for mounting on a pendant, pole or corner. The IP51-rated recessed mount kit protects the camera from condensation and dust that may exist in the plenum space above the drop ceiling.



Dimensions

1. AXIS P3354
AXIS P3364-V
AXIS P3364-LV
2. AXIS P3346
3. AXIS P3365-V
AXIS P3384-V
AXIS P3346-V
AXIS P3367-V



Accessories

1. IP51-rated recessed mount kit
2. Dome kit black
3. Mounting bracket
4. AXIS T94H01P Conduit Back Box
5. Pendant kit
6. AXIS T91 Mounts
For more details on accessories,
please visit:
www.axis.com/accessories



Technical Specifications - AXIS P33 Indoor models

Models	<p>AXIS P3354: 1 MP, Lightfinder, Tamper resistance AXIS P3364-V: 1 MP, Lightfinder, Vandal resistance, Audio, I/O ports AXIS P3364-LV: 1 MP, IR illumination, Lightfinder, Vandal resistance, Audio, I/O ports AXIS P3384-V: 1 MP, WDR - Dynamic Capture, Lightfinder, Vandal resistance, Audio, I/O ports AXIS P3365-V: 2 MP, Multi-view, vandal resistance, Audio, I/O ports AXIS P3346: 3 MP, Multi-view, Audio, I/O ports AXIS P3346-V: 3 MP, Multi-view, Vandal resistance, Audio, I/O ports AXIS P3367-V: 5 MP, Multi-view, Vandal resistance, Audio, I/O ports</p> <p><i>Note: 6 mm and 12 mm as suffix refer to lens model. AXIS P3301-V and AXIS P3304-V are not part of AXIS P33 Series.</i></p>
---------------	---

AXIS P3384-V with Dynamic Capture:	Color: 0.5 lux, F1.2, B/W: 0.08 lux, F1.2
AXIS P3384-V with Lightfinder:	Color: 0.15 lux, F1.2, B/W: 0.03 lux, F1.2
AXIS P3365-V:	Color: 0.2 lux, F1.2, B/W: 0.04 lux, F1.3
AXIS P3346/P3346-V:	Color: 0.5 lux, F1.2, B/W: 0.08 lux, F1.2
AXIS P3367-V:	Color: 0.2 lux, F1.2, B/W: 0.04 lux, F1.2

Shutter time	<p>AXIS P3354/P3364-V/P3364-LV: 1/29500 s to 2 s AXIS P3384-V with Dynamic Capture: 1/231 s to 1/37 s AXIS P3384-V with Lightfinder: 1/29500 s to 2 s AXIS P3365-V: 1/33500 s to 2 s AXIS P3346/P3346-V: 1/35500 s to 1/6 s AXIS P3367-V: 1/28000 s to 2 s</p>
---------------------	---

Camera angle adjustment	<p>AXIS P3354/P3364-V/P3364-LV: Pan 360°, Tilt 170°, Rotation 340° AXIS P3384-V/P3365-V/P3346/P3346-V/P3367-V: Pan 360°, Tilt 160°, Rotation 340°</p>
--------------------------------	--

Camera	
Image sensor	<p>AXIS P3354/P3364-V/P3364-LV/P3384-V: Progressive scan RGB CMOS 1/3" AXIS P3365-V: Progressive scan RGB CMOS 1/2.8" AXIS P3346-V: Progressive scan RGB CMOS 1/3" (effective) AXIS P3367-V: Progressive scan RGB CMOS 1/3.2"</p>
Lens	<p>Varifocal, Remote focus and zoom, P-Iris control, IR corrected, Megapixel resolution AXIS P3354/P3364-V/P3364-LV 6 mm: 2.5–6 mm, 105°–49° view^a, F1.2 AXIS P3354/P3364-V/P3364-LV 12 mm: 3.3–12 mm, 82°–24° view^a, F1.4 AXIS P3384-V/P3346/P3346-V/P3367-V: 3–9 mm, 84°–30° view^a, F1.2 AXIS P3365-V: 3–9 mm, 100°–35° view^a, F1.3</p>
Day and night	Automatically removable infrared-cut filter
Minimum illumination	<p>AXIS P3354/P3364-V 6 mm: Color: 0.1 lux, F1.2, B/W: 0.02 lux, F1.2 AXIS P3364-LV 6 mm: Color: 0.12 lux, F1.2, B/W: 0.03 lux, F1.2, 0 lux with IR illumination on AXIS P3354/P3364-V 12 mm: Color: 0.15 lux, F1.4, B/W: 0.03 lux, F1.4 AXIS P3364-LV 12 mm: Color: 0.18 lux, F1.4, B/W: 0.04 lux, F1.4, 0 lux with IR illumination</p>

Video	
Video compression	H.264 Baseline and Main Profile (MPEG-4 Part 10/AVC) Motion JPEG

Resolutions	<p>AXIS P3354/P3364-V/P3364-LV/P3384-V: 1280x960^b (approx. 1.3 MP) to 160x90 AXIS P3365-V: 1920x1080 (2MP) to 160x90 AXIS P3346/P3346-V: 2048x1536 (3 MP) to 160x90 AXIS P3367-V: 2592x1944 (5 MP) to 160x90</p>
--------------------	---

Frame rate	<p>AXIS P3354/P3364-V/P3364-LV/P3365-V/P3384-V: 25/30 fps with power line frequency 50/60 Hz AXIS P3346/P3346-V: 3 MP capture mode: 20 fps in all resolutions, HDTV 1080p (1920x1080) and 2 MP 4:3 (1600x1200) capture modes: 30 fps in all resolutions AXIS P3367-V: 5 MP capture mode: 12 fps in all resolutions and capable of all AXIS P3346-V capture modes</p>
-------------------	---

Video streaming	Multiple, individually configurable streams in H.264 and Motion JPEG, Controllable frame rate and bandwidth, VBR/CBR H.264
------------------------	--

Multi-view streaming	<p>AXIS P3365-V/P3346/P3346-V/P3367-V: Up to 8 individually cropped out view areas</p> <p>AXIS P3346/P3346-V: When streaming 4 view areas and 1 overview in VGA resolution, the frame rate is 20 fps per stream (3 MP capture mode)</p> <p>AXIS P3367-V: When streaming 4 view areas and 1 overview in VGA resolution, the frame rate is 12 fps per stream (5 MP capture mode) or 20 fps per stream (3 MP capture mode)</p>
Pan/Tilt/Zoom	<p>Digital PTZ</p> <p>AXIS P3346/P3346-V/P3367-V: Preset positions, Guard tour</p>
Image settings	<p>Compression, Color, Brightness, Sharpness, Contrast, White balance, Exposure control, Exposure zones, Backlight compensation, Fine tuning of behavior at low light, Wide Dynamic Range-Dynamic Contrast</p> <p>Rotation 0°, 90°, 180°, 270°, including Corridor Format</p> <p>AXIS P3384-V: WDR - Dynamic Capture: Up to 120 dB (0.5–500,000 lux) depending on scene</p>
Audio	
Audio streaming	All models except AXIS P3354: Two-way audio
Audio compression	All models except AXIS P3354: AAC LC 8/16 kHz, G.711 PCM 8 kHz, G.726 ADPCM 8 kHz, Configurable bit rate
Audio input/output	All models except AXIS P3354: External microphone input or line input, Line output, Built-in microphone (can be disabled)
Network	
Security	Password protection, IP address filtering, HTTPS ^c encryption, IEEE 802.1X ^c network access control, Digest authentication, User access log
Supported protocols	IPv4/v6, HTTP, HTTPS ^c , SSL/TLS ^c , QoS Layer 3 DiffServ, FTP, CIFS/SMB, SMTP, Bonjour, UPnP [™] , SNMPv1/v2c/v3 (MIB-II), DNS, DynDNS, NTP, RTSP, RTP, TCP, UDP, IGMP, RTCP, ICMP, DHCP, ARP, SOCKS
System integration	
Application Programming Interface	<p>Open API for software integration, including VAPIX[®] and AXIS Camera Application Platform, specifications at www.axis.com</p> <p>AXIS Video Hosting System (AVHS) with One-Click Camera Connection</p> <p>ONVIF Profile S, specification at www.onvif.org</p>
Intelligent video	<p>Video motion detection, Active tampering alarm, AXIS Camera Application Platform enabling installation of additional applications</p> <p>All models except AXIS P3354: Audio detection</p>
Event triggers	<p>Intelligent video, Edge storage events</p> <p>All models except AXIS P3354: External input</p>
Event actions	<p>File upload: FTP, HTTP, network share and email</p> <p>Notification: email, HTTP and TCP</p> <p>Video recording to edge storage</p> <p>Pre- and post-alarm video buffering</p> <p>All models except AXIS P3354: External output activation, Audio recording to edge storage, Play audio clip</p> <p>AXIS P3346/P3346-V/P3367-V: Preset positions, Guard tour</p>
Data streaming	Event data
Built-in installation aids	<p>Remote zoom, Remote focus, Pixel counter</p> <p>AXIS P3364-LV: OptimizedIR with adjustable IR illumination angle and intensity</p>

General	
Casing	<p>Polycarbonate transparent dome, Aluminum inner camera module with encapsulated electronics</p> <p>AXIS P3354/P3346: Tamper-resistant polycarbonate casing</p> <p>AXIS P3364-V/P3364-LV/P3384-V/P3365-V/P3346-V/P3367-V: IK10 impact-resistant casing with aluminum base</p> <p>Color: White NCS 5 1002-B. For repainting instructions and impact on warranty, contact your Axis partner</p>
Memory	<p>256 MB RAM, 128 MB Flash</p> <p>AXIS P3367-V: 512 MB RAM, 128 MB Flash</p>
Power	<p>Power over Ethernet IEEE 802.3af/802.3at Type 1</p> <p>AXIS P3354/P3364-V/P3384-V: Class 2; max 5.9 W</p> <p>AXIS P3364-LV: IR illumination on: Class 3; max 12.1 W IR illumination off: Class 2; max 5.9 W</p> <p>AXIS P3365-V: Class 2; max 4.2 W</p> <p>AXIS P3346/P3346-V: Class 2; max 6.4 W</p> <p>AXIS P3367-V: Class 2; max 6.2 W</p>
Connectors	<p>RJ45 10BASE-T/100BASE-TX PoE</p> <p>All models except AXIS P3354: Terminal block for 1 alarm input and 1 output, 3.5 mm mic/line in, 3.5 mm line out</p>
IR illumination	AXIS P3364-LV: OptimizedIR with power-efficient, long-life 850 nm IR LEDs. Adjustable angle of illumination and intensity. Range of reach up to 30 m (100 ft) depending on scene
Edge storage	<p>SD/SDHC/SDXC slot supporting memory card up to 64 GB (card not included)</p> <p>Support for recording to network share (network-attached storage or file server)</p>
Operating conditions	<p>0 °C to 50 °C (32 °F to 122 °F)</p> <p>Humidity 10–85% RH (non-condensing)</p>
Approvals	<p>EN 55022 Class B, EN 61000-6-1, EN 61000-6-2, EN 55024, FCC Part 15 Subpart B Class B, ICES-003 Class B, VCCI Class B, C-tick AS/NZS CISPR 22 Class B, KCC KN22 Class B, KN24, IEC/EN/UL 60950-1, EN 50581, IEC 60068-2-1, IEC 60068-2-2, IEC 60068-2-14, IEC 60068-2-27, IEC 60068-2-64, IEC 60068-2-78</p> <p>All models except AXIS P3354: IEC 62262 IK10</p> <p>AXIS P3364-LV: EN 62471</p>
Weight	<p>AXIS P3354: 430 g (0.9 lb)</p> <p>AXIS P3364-V: 650 g (1.4 lb)</p> <p>AXIS P3364-LV: 670 g (1.5 lb)</p> <p>AXIS P3346: 490 g (1.1 lb)</p> <p>AXIS P3384-V/P3365-V/P3346-V/P3367-V: 730 g (1.6 lb)</p>
Included accessories	<p>Installation Guide, Installation and Management Software CD, Windows decoder 1-user license, Resistorx T20 screw driver, Drill hole template</p> <p>All models except AXIS P3364-LV: Smoked dome</p> <p>All models except AXIS P3354: Connector kit</p>
Video management software	AXIS Camera Station and video management software from Axis Application Development Partners (not included). For more information, see www.axis.com/products/video/software
Warranty	Axis 3-year warranty and AXIS Extended Warranty option, see www.axis.com/warranty

- Horizontal angle of view
- 1400x1050 (1.4MP) scaled resolution available via VAPIX[®]
- This product includes software developed by the OpenSSL Project for use in the OpenSSL Toolkit (<http://www.openssl.org/>), and cryptographic software written by Eric Young (ey@cryptsoft.com).

More information is available at www.axis.com