

## AXIS Q1765-LE Network Cameras

Full featured, all integrated bullet-style outdoor-ready cameras



- > 18x zoom and autofocus
- > OptimizedIR
- > Bullet-style
- > Slim design and low-weight
- > Outdoor-ready

The bullet-style, outdoor-ready AXIS Q1765-LE and AXIS Q1765-LE PT Mount Network Cameras are especially adapted for installation on buildings, for monitoring entrances and exits, parking lots, toll booths, service stations and for general city surveillance purposes.

AXIS Q1765-LE Network Cameras deliver exceptional image quality including SMPTE-compliant HDTV 1080p and provide multiple, individually configurable H.264 and Motion JPEG video streams. The cameras support wide dynamic range (WDR) with 'dynamic contrast' that handles a wide range of lighting conditions in a scene.

The cameras' OptimizedIR solution incorporates new long-life and highly power-efficient LED (850 nm) technology. The four LEDs cover up to 15 m (50 ft) in the widest field of view and up to 40 m (130 ft) when the camera is in full tele view.

The motorized optical zoom up to 18x and autofocus allows the cameras to cover great distances providing both wide overviews as well as detailed images for identification purposes.

AXIS Q1765-LE PT Mount model has a serial port for RS422/485 communication with pan-tilt motors that support Pelco D protocol.

AXIS Q1765-LE cameras offer ease of installation capabilities with one-cable installation. Low, environmental-friendly power consumption is supplied by standard Power over Ethernet (IEEE 802.3af).

The compact and outdoor-ready cameras are lightweight yet tough with both IP66- and NEMA 4X-ratings. The Arctic Temperature Control capability allows reliable start-up in any temperatures from -40 °C to 50 °C (-40 °F to 122° F), making the cameras perfect for installation in places with challenging weather conditions.

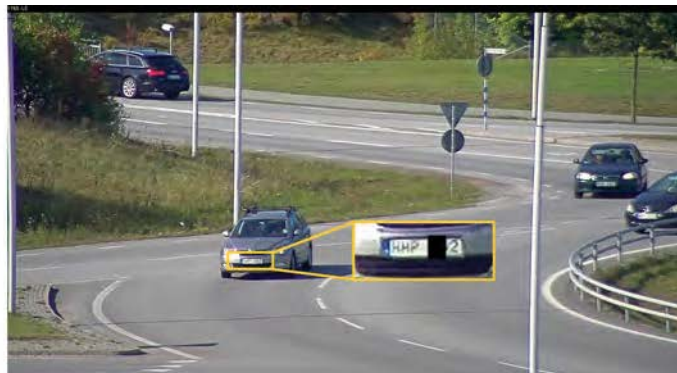


AXIS Q1765-LE PT Mount



## Powerful zoom with high image detail

AXIS Q1765-LE Network Cameras offer very high image detail with their HDTV 1080p performance in compliance with the SMPTE 274M standard regarding a 1920x1080 pixel resolution, 25/30 frames per second, HDTV color fidelity and a 16:9 format. Since HDTV 1080p provides more



The image to the left is taken with a digital single-lens reflex camera with a 50 mm lens – thus representing the view of the human eye. The image to the right is a snapshot from AXIS Q1765-LE in 18x zoomed-in view where the license plate of a car 275 m (900 ft) away can be read.

## Day/night functionality and OptimizedIR

The cameras day/night functionality is useful for surveillance in indoor or outdoor environments with changing lighting conditions. The day/night functionality involves an automatically removable infrared-cut filter in the cameras. The filter is on during daytime or bright conditions, enabling the cameras to produce colors as the human eye sees them. In nighttime or low-light conditions, the filter is removed to enable the cameras to produce good quality black and white images. This functionality allows the cameras to extend their usefulness in low-light conditions and en-

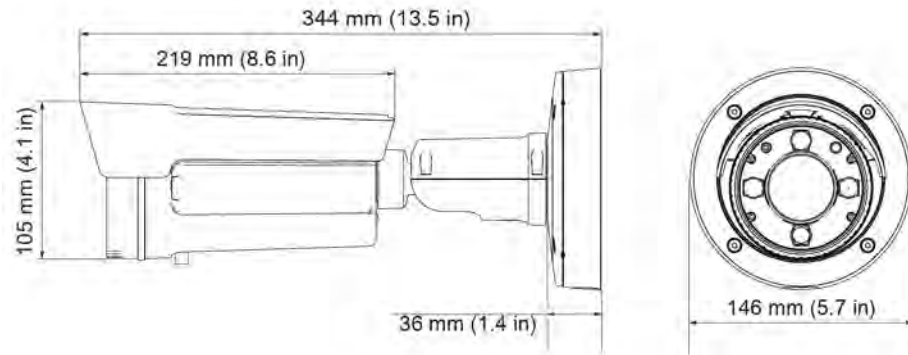
ables IR (infrared) illuminators to be used to further improve video quality in dark environments.

AXIS Q1765-LE Network Cameras have OptimizedIR, which is ideal for surveillance in complete darkness. Axis' OptimizedIR technology is based on new, smart, power-efficient and patented LED technology. It is designed for easy, cost-efficient and environmental friendly installation and results in high-quality, low-noise video, even when the environment is completely dark.

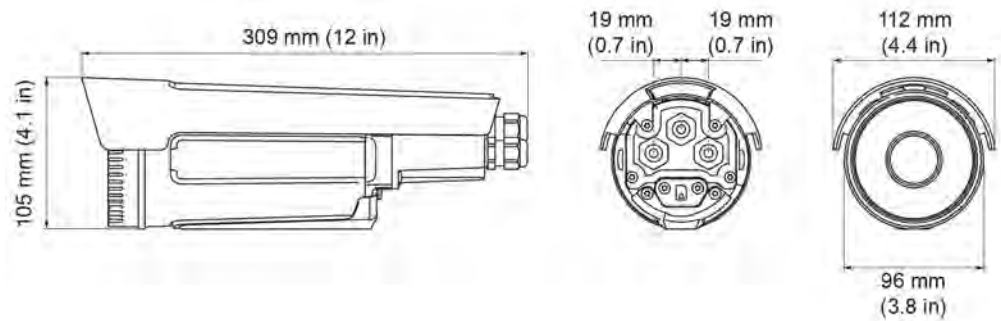


The above images are snapshots from AXIS Q1765-LE in Axis' Corridor Format and mounted indoors in a 30 m (98 ft) long hallway. The image to the left is in wide view and day mode at 600 lux. The image in the middle is taken in night mode at 0 lux with OptimizedIR on and shows a person at a 2 m distance from camera. In the image to the right, the AXIS Q1765-LE is in night mode at 0 lux with OptimizedIR on. The camera is in full tele view at 18x zoom and the person is at a 30 m distance.

## Dimensions - AXIS Q1765-LE



## Dimensions - AXIS Q1765-LE PT Mount



## Optional Accessories

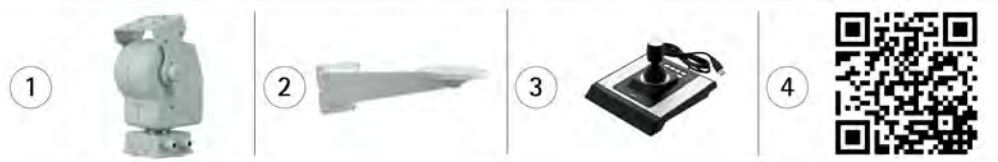
### AXIS Q1765-LE

1. AXIS T98A17-VE
2. AXIS T94G01P Conduit Back Box
3. AXIS T91A47
4. AXIS Multicable A I/O Audio 5m



### AXIS Q1765-LE PT Mount

1. AXIS YP3040 Pan-Tilt Motor
2. AXIS YP3040 Wall Bracket
3. AXIS T8310
4. Scan for a complete list of accessories  
[www.axis.com/products/q17\\_series/](http://www.axis.com/products/q17_series/)



### AXIS Q1765-LE &

### AXIS Q1765-LE PT Mount

1. Axis PoE Midspans
2. AXIS T8129
3. AXIS T8640
4. AXIS T8604



# Technical Specifications - AXIS Q1765-LE Network Cameras

<b>Models</b>	AXIS Q1765-LE AXIS Q1765-LE PT Mount	<b>Event actions</b>	File upload: FTP, HTTP, network share and email Notification: email, HTTP and TCP External output activation Video and audio recording to edge storage Pre- and post-alarm video buffering AXIS Q1765-LE: External output activation
<b>Camera</b>		<b>Data streaming</b>	Event data
<b>Image sensor</b>	Progressive scan RGB CMOS 1/2.9"	<b>Built-in installation aids</b>	Pixel counter
<b>Lens</b>	4.7–84.6 mm: 59° to 4°view <sup>a</sup> , F1.6–2.8, Autofocus, Automatic day/night	<b>General</b>	
<b>Day and night</b>	Automatically removable infrared-cut filter in day mode and infrared-pass filter 720 nm in night mode	<b>Casing</b>	IP66- and NEMA 4X-rated, Impact-resistant aluminum enclosure Color: White NCS S 1002-B
<b>Minimum illumination</b>	Color: 0.5 lux at 30 IRE F1.6 B/W: 0.04 lux at 30 IRE F1.6 (0 lux with IR illumination on)	<b>Memory</b>	256 MB RAM, 128 MB Flash
<b>Shutter time</b>	1/28000 s to 2 s	<b>Power</b>	Power over Ethernet IEEE 802.3af; max 12.95 W 8–28 V DC max 15.2 W, 20–24 V AC max 22.0 VA
<b>Video</b>		<b>Connectors</b>	RJ45 10BASE-T/100BASE-TX PoE DC Power connector AXIS Q1765-LE: Multi-connector (not included): 2 configurable alarm inputs/outputs, Mic in, Line mono input, Line mono output (e.g. to active speaker) AXIS Q1765-LE PT Mount: RS485/RS422, 2 pcs, 2 pos, Full duplex, Terminal block
<b>Video compression</b>	H.264 Mainline and Baseline Profiles (MPEG-4 Part 10/AVC) Motion JPEG	<b>IR illumination</b>	Power-efficient, long-life 850 nm IR LED's with adjustable angle of illumination and intensity. Range of reach up to 15 m (50 ft) in wide field of view and up to 40 m (130 ft) in full tele view
<b>Resolutions</b>	1920x1080 (HDTV 1080p) to 320x180	<b>Edge storage</b>	microSD/microSDHC/microSDXC slot supporting memory card up to 64 GB (card not included) Support for recording to network share (network-attached storage or file server)
<b>Frame rate</b>	H.264/Motion JPEG: Up to 25/30 fps (50/60 Hz) in all resolutions	<b>Operating conditions</b>	-40 °C to 50 °C (-40 °F to 122 °F) Humidity 10–100% RH (condensing)
<b>Video streaming</b>	Multiple, individually configurable streams in H.264 and Motion JPEG Controllable frame rate and bandwidth VBR/CBR H.264	<b>Approvals</b>	EN 50121-4, EN 55024, EN 61000-3-2, EN 61000-3-3, EN 61000-6-1, EN 61000-6-2, EN/IEC/UL 60950-22, EN/IEC 62471 risk group 1 AXIS Q1765-LE: EN 55022 Class B, C-tick AS/NZS CISPR 22 Class B, FCC Part 15 Subpart B Class B, ICES-003 Class B, VCCI Class B, KCC KN22 Class B, KN24 AXIS Q1765-LE PT Mount: EN 55022 Class A, C-tick AS/NZS CISPR 22 Class A, FCC Part 15 Subpart B Class A, ICES-003 Class A, VCCI Class A, KCC KN22 Class A, KN24
<b>Image settings</b>	Manual shutter time, Compression, Color, Brightness, Sharpness, White balance, Exposure control, Exposure zones, Backlight compensation, WDR-dynamic contrast, Fine tuning of behavior at low light, Rotation, Text and image overlay, 3D privacy mask, Day/night shift level AXIS Q1765-LE: Axis' Corridor Format	<b>Weight</b>	AXIS Q1765-LE: 1.8 kg (4.0 lb) including the bracket AXIS Q1765-LE PT Mount: 1.5 kg (3.3 lb)
<b>Pan/Tilt/Zoom</b>	18x optical zoom and 12x digital zoom Preset positions	<b>Included accessories</b>	Connector kit, Installation Guide, Mini CD with installation tools, Recording software and User's Manual, Windows decoder 1-user license, Allen key
<b>Audio</b>		<b>Video management software</b>	AXIS Camera Companion (included), AXIS Camera Station and video management software from Axis' Application Development Partners (not included). For more information, see <a href="http://www.axis.com/products/video/software">www.axis.com/products/video/software</a>
<b>Audio streaming</b>	AXIS Q1765-LE: Two-way	<b>Warranty</b>	Axis 3-year warranty and AXIS Extended Warranty option, see <a href="http://www.axis.com/warranty">www.axis.com/warranty</a>
<b>Audio compression</b>	AXIS Q1765-LE: AAC-LC 8/16 kHz, G.711 PCM 8 kHz, G.726 ADPCM 8 kHz, Configurable bit rate	a. Horizontal angle of view b. This product includes software developed by the OpenSSL Project for use in the OpenSSL Toolkit. ( <a href="http://www.openssl.org">www.openssl.org</a> ), and cryptographic software written by Eric Young ( <a href="mailto:ey@cryptsoft.com">ey@cryptsoft.com</a> ).	
<b>Audio input/output</b>	AXIS Q1765-LE: Requires multi-connector cable (not included) for external microphone input or line input and line output	<b>More information is available at <a href="http://www.axis.com">www.axis.com</a></b>	
<b>Network</b>			
<b>Security</b>	Password protection, IP address filtering, HTTPS <sup>b</sup> encryption, IEEE 802.1X <sup>b</sup> network access control, Digest authentication, User access log		
<b>Supported protocols</b>	IPv4/v6, HTTP, HTTPS <sup>b</sup> , SSL/TLS <sup>b</sup> , QoS Layer 3 DiffServ, FTP, CIFS/SMB, SMTP, Bonjour, UPnP <sup>TM</sup> , SNMPv1/v2c/v3 (MIB-II), DNS, DynDNS, NTP, RTSP, RTP, TCP, UDP, IGMP, RTCP, ICMP, DHCP, ARP, SOCKS		
<b>System integration</b>			
<b>Application Programming Interface</b>	Open API for software integration, including VAPIX <sup>®</sup> and AXIS Camera Application Platform, specifications at <a href="http://www.axis.com">www.axis.com</a> AXIS Video Hosting System (AVHS) with One-Click Camera Connection. ONVIF Profile S, specification at <a href="http://www.onvif.org">www.onvif.org</a>		
<b>Intelligent video</b>	Video motion detection, Gatekeeper, Active tampering alarm, AXIS Camera Application Platform enabling installation of additional applications AXIS Q1765-LE: Audio detection		
<b>Event triggers</b>	Intelligent video, Edge storage events AXIS Q1765-LE: External input		