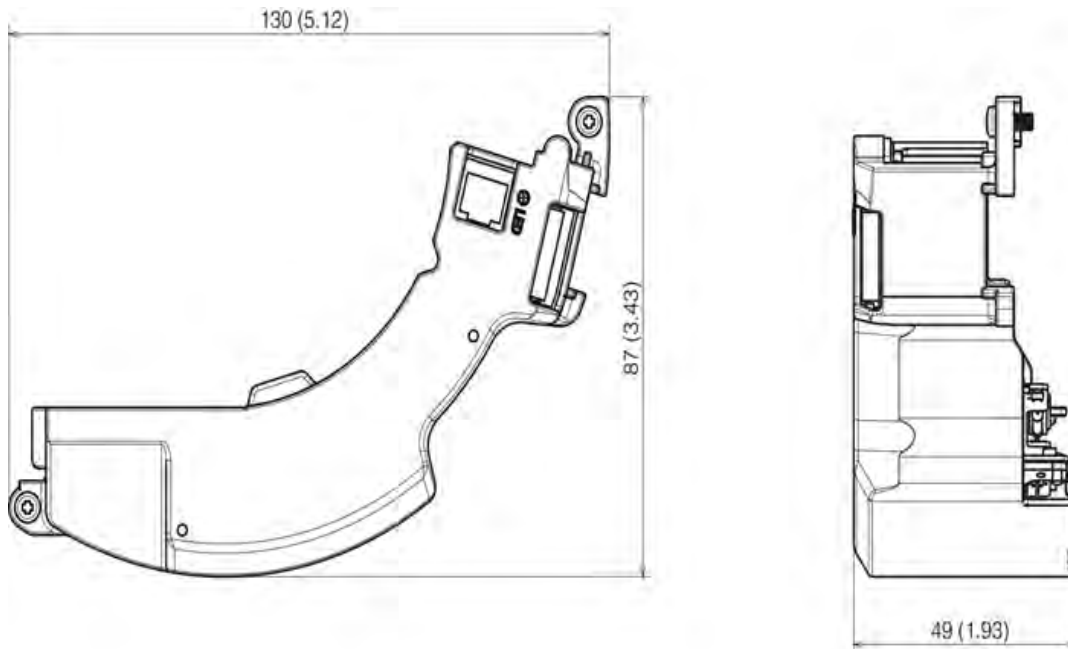


# Accessory Specifications

**VB-M641VE**

## Optional Heater Unit (HU641-VB)

The exterior size, specifications, external materials, are as follows.



Unit: mm (in.)

**Specification**

Dimensions		(H x W x D) 130 x 87 x 49 mm (5.12 x 3.43 x 1.93 in.)
Weight		Approx. 60 g (2.2 oz.)
Operating Environment	Temperature	Same as camera
	Humidity	Same as camera
Storage Environment	Temperature	Same as camera
	Humidity	Same as camera

**Exterior Materials**

Component Name		Material Abbreviation
(1)	COVER	Polycarbonate resin (PC)
External Color		Black (resin color)