

7" Indoor Plenum Rated Recessed Dome

Model Name	Model Description	Item Code
A-ID7CF	7" clear indoor recessed dome housing	1381V111
A-ID7TF	7" tinted indoor recessed dome housing	1381V112



The 7" indoor recessed dome housing is ideal for indoor use where a plenum rated enclosure is required. This dome has a steel body and trim ring, and a polycarbonate clear or tinted capsule. Its larger size allows for additional electronic devices to be mounted within the dome. Its high quality capsule is also ideal for indoor mounting of high zoom PTZ cameras.

Compatible Canon Camera Models:

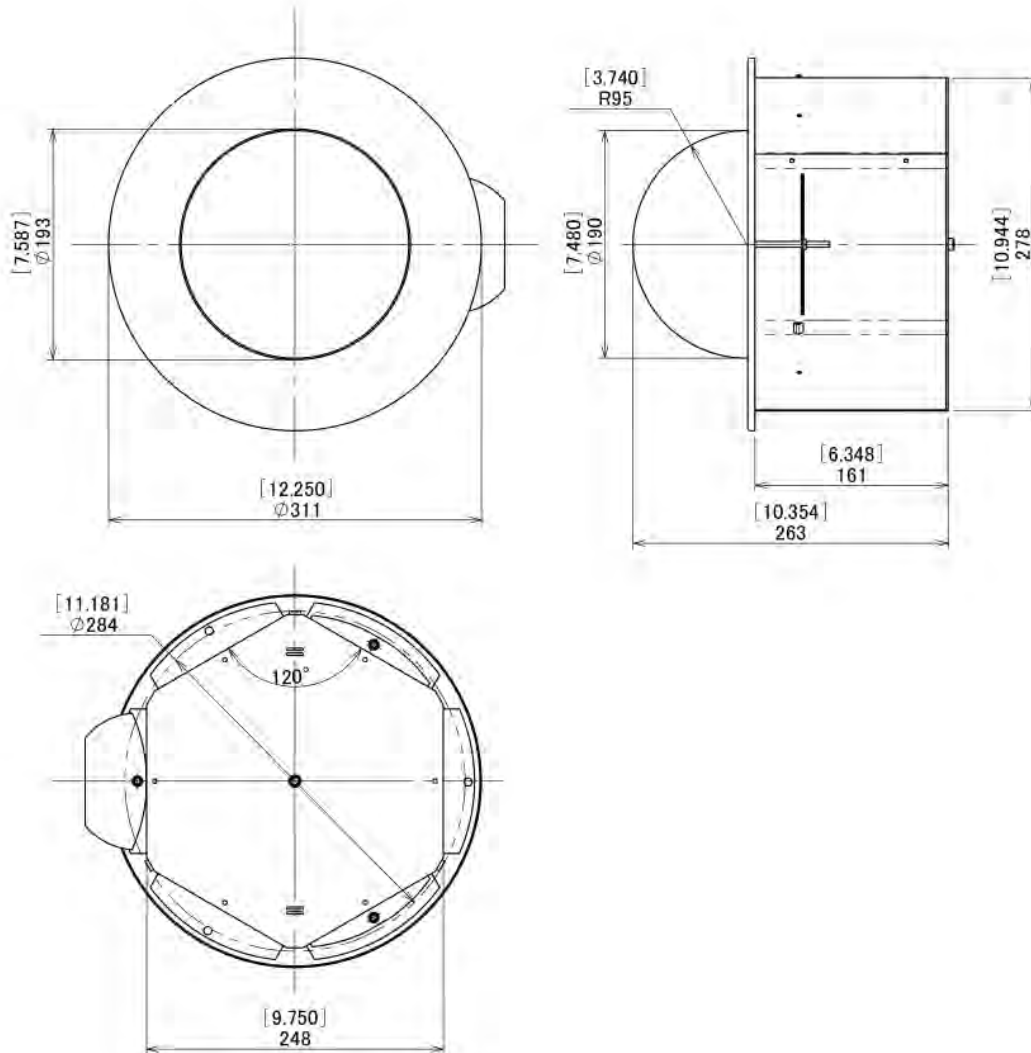
VB-H41 , VB-M40, VB-C60, VB-M600D, VB-H610D

Specifications

Operating Environment	Indoor
Housing	Material = Can: Steel (Black Powder Coat Finish) Trim Ring: Steel (White Powder Coat Finish)
Capsule	Material: PC UL 94 V-0
	Light Loss: A-ID7CF: Almost zero A-ID7TF: Approx. 60%
Diameter of Hole on Ceiling	285mm (11.22") Template Provided
Weight	Approx. 3kgs (6.6 lbs)
Standard & Compliance	RoHS

7" Indoor Plenum Rated Recessed Dome

Unit: [inch]
mm



Wall Mount Dome Accessories

1381V103	A-RCP7T	Replacement capsule, 7" Tinted
2030V463	A-RCP7C	Replacement capsule, 7" Clear