

Conventional Box Outdoor Housing

Model Name	Model Description	Item Code
A-OH15F	Outdoor Bullet Type Outdoor Housing	1588V039
A-OH15FBHSET-S(OW)	Outdoor Bullet Type Outdoor Housing in Stainless Steel w/ Heater and Blower	2038V641
A-OH15FBHSET(OW)	Outdoor Bullet Type Outdoor Housing w/ Heater and Blower in Steel	1381V126



Ideal for fixed box cameras that need a sturdy outdoor housing. Models with built in heater and blower are available to all weather use. An fully adjustable wall mount comes standard in all models of the housing, although an optional ceiling mount adapter is available. A sunshield is also available for all models for warmer environments that helps limit the housing's exposure to direct sunlight.

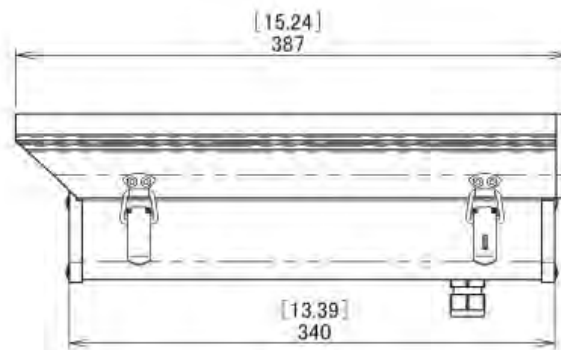
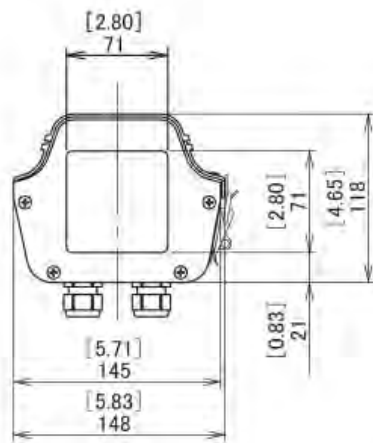
Compatible Canon Camera Models:
VB-H710F, VB-M700F

Specifications

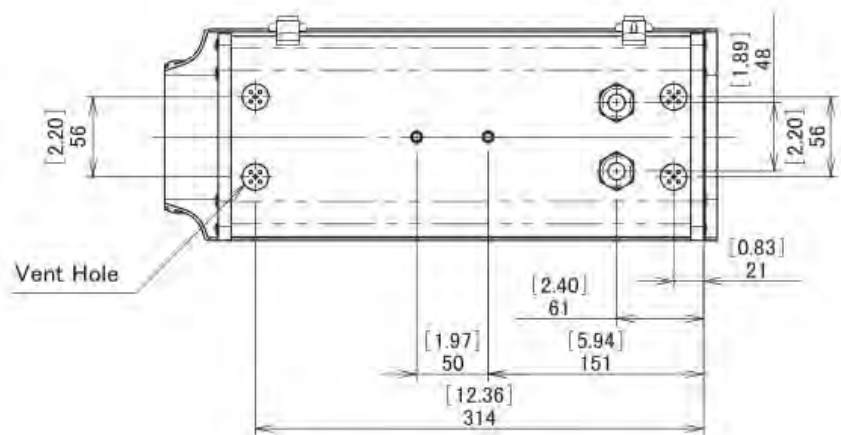
Operating Environment	Indoor or Outdoor
Operating Temperature	-20°C (-4°F) ~ +40°C (+104°F) with Optionl heater & Blower under normal outdoor environment.
IP Rate	IP33 (Vent Holes "Open"), IP43 (Vent Holes "Closed")
Max Wind Load	Products will withstand wind speeds up to 136 MPH
Housing	Body Material = Aluminum Powder Coar Finish Snap Fastners = SUS304 Front End Cap Material = PC/ABS UL94 V-0
Window	Acrylic
Weight	Approx. 1.5kgs (3.3 lbs), Approx 1.8kgs (4 lbs) with Heater and Blower
Heater (A-OH15FBH)	24VAC 25W Auto by thermostat 4.4°C (40°F) = ON 16°C (60°F) = OFF
Blower (A-OH15BH)	24VAC Input Manufacturer : Nidec Servo Corporation Model EUDC12D8 DC12V 0.04A 0.5W Auto by thermostat 35°C (95°F) = ON 27°C (80°F) = OFF
Diameter of 2 Cable Holes	15mm (0,59") with Bushing, 22mm (0.86") without Bushing
Standard & Compliance	RoHS, UL (File #E313815), CE



Conventional Box Outdoor Housing



Unit: [inch]
mm



Accessories

1381V127	A-CA15G	Ceiling Mount Adapter for A-OH15
1381V128	A-SY15	Sunshield for A-OH15