

# VB-H651V

Capture detailed images in low-light and reduce surveillance costs with this wide-angled indoor vandal-resistant dome camera.

This Full HD indoor vandal resistant dome camera offers a wide angle of view, superb low-light performance and IK10 impact protection.



Shown with PC640-VB



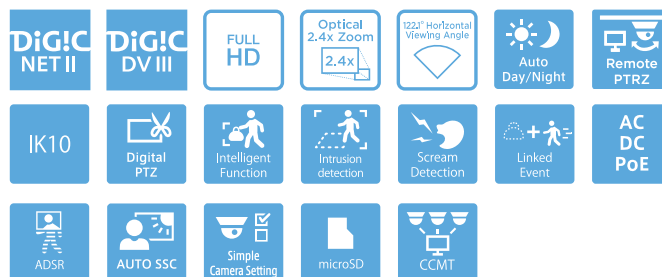
Shown with DU640-S-VB



- 1/3" Full HD CMOS sensor delivers a superb low light performance
- 2.4x optical zoom lens with a wide 122.1° angle of view
- IK10 vandal proof protection
- Motion Adaptive Noise Reduction enhances low-light capabilities
- 8 built-in analytics functions provide intelligent and efficient alarm detection
- Remote PTRZ adjustment reduces setup time and installation costs
- ADSR bandwidth technology
- Support for multiple web browsers and mobile devices
- ONVIF® Profile S & G

## Product Range

- VB-H630D
- VB-M620D
- VB-M641V
- VB-M640V



# Technical Specifications

# VB-H651V

| CAMERA   |   |
|--|---|
| <b>Image Sensor</b>                            | 1/3 type CMOS (primary color filter)  |
| <b>Number of Effective Pixels</b>              | Approx. 2.1 million pixels  |
| <b>Scanning Method</b>                         | Progressive   |
| <b>Lens</b>                                    | 2.4x optical zoom (4x digital zoom) lens (electric drive)   |
| <b>Focal Length</b>                            | 2.55 (W) – 6.12 mm (T)  |
| <b>F-number</b>                                | F1.2 (W) – F1.8 (T)   |
| <b>Viewing Angle</b>                           | <b>For 16:9 aspect ratios:</b><br>Horizontal: 122.1° (W) – 50.1° (T)<br>Vertical: 65.8° (W) – 28.2° (T)<br><b>For 4:3 aspect ratios</b><br>Horizontal: 89.2° (W) – 37.6° (T)<br>Vertical: 65.8° (W) – 28.2° (T)   |
| <b>Day/Night Switch</b>                        | Auto/Day Mode/Night Mode  |
| <b>Min. Subject Illumination</b>               | Day Mode (colour): 0.035 lux<br>Night Mode (monochrome): 0.002 lux<br>When using the Smoked Dome (sold separately)<br>Day Mode (colour): 0.07 lux<br>Night Mode (monochrome): 0.004 lux<br>- (F1.2, 1/30 sec, SSC off, 50IRE)   |
| <b>Focus</b>                                   | Auto/One-shot AF/Manual/Fixed at infinity   |
| <b>Shooting Distance (from front of lens)</b>  | Day & Night Modes: 0.3 m (12 in.) – infinity  |
| <b>Shutter Speed</b>                           | 1, 1/2, 1/4, 1/8, 1/15, 1/30, 1/50, 1/60, 1/100, 1/120, 1/250, 1/500, 1/1000, 1/2000, 1/4000, 1/8000, 1/10000, 1/16000 sec.   |
| <b>Exposure</b>                                | Auto/Auto (Flickerless)/Auto (Shutter-priority AE)/Auto (Aperture-priority AE)/Manual (Shutter Speed, Aperture, Gain)   |
| <b>White Balance</b>                           | Auto/Light Source/Manual<br>Light Source: Daylight Fluorescent/White Fluorescent/Warm Fluorescent/Mercury Lamp/Sodium Lamp/Halogen Lamp<br>Manual: One-shot WB/R Gain/B Gain  |
| <b>Metering Mode</b>                           | Center-Weighted / Average / Spot  |
| <b>Exposure Compensation</b>                   | 9 levels  |
| <b>Smart Shade Control</b>                     | Auto/Manual/Disable, Auto: 3 levels, Manual: 7 levels   |
| <b>Haze Compensation</b>                       | Auto/Manual/Disable, Auto: 3 levels, Manual: 7 levels   |
| <b>AGC Limit</b>                               | 6 levels  |
| <b>Image Stabilizer</b>                        | 2 levels (digital)  |
| <b>Motion-Adaptive NR</b>                      | Available   |
| <b>Pan Angle Range</b>                         | 350° (±175°)  |
| <b>Tilt Angle Range</b>                        | 150° (±75°)   |
| <b>Rotation Angle Range</b>                    | 350° (±175°)  |
| <b>Moving Speed</b>                            | Pan: 20.1°/sec.<br>Tilt: 20.7°/sec.<br>Rotation: 40.0°/sec.   |
| SERVER   |   |
| <b>Video Compression Method</b>                | JPEG, H.264   |
| <b>Video Size</b>                              | JPEG, H.264: 1920 x 1080, 960 x 540, 480 x 270<br>1280 x 720, 640 x 360, 320 x 180<br>1280 x 960, 640 x 480, 320 x 240  |
| <b>Video Quality</b>                           | JPEG, H.264: 10 levels  |
| <b>Frame Rate</b>                              | JPEG: 0.1 – 30 fps<br>H.264: 1/2/3/5/6/10/15/30 fps<br>- Values represent streaming performance from the camera.<br>- The frame rate may be reduced due to Viewer computer's specs, the number of clients accessing at the same time, network loads, video quality setting, type or movement of the subject or other reasons.<br>Maximum frame rate when streaming:<br>H.264(1) (1920 x 1080) and H.264(2) (all sizes) simultaneously: 15 fps<br>H.264(1) (all sizes) and H.264(2) (1920 x 1080) simultaneously: 15 fps<br>H.264(1) (1280 x 960) and H.264(2) (1280 x 960) simultaneously: 15 fps<br>H.264(1) (1280 x 720) and H.264(2) (1280 x 720) simultaneously: 15 fps |
| <b>I-Frame Interval</b>                        | 0.5/1/1.5/2/3/4/5 sec.  |
| <b>Simultaneous Client Access</b>              | Max. 30 Clients + 1 Admin Client<br>- H.264: Max. 10 Clients  |
| <b>Bit Rate Control</b>                        | Target Bit Rate: 64/128/256/384/512/768/1024/1536/2048/3072/4096/6144/8192/10240/12288/14336/16384 kbps   |
| <b>ADSR: Area-specific Data Size Reduction</b> | Number of Specified Areas: Max. 8 areas<br>Data Size Reduction Level: 3 levels  |
| <b>Security</b>                                | Camera Control: Administrator, Authorized user, Guest user (level of control varies depending on user)<br>Access Control: User authority (user name and password), Host Access Restrictions (IPv4, IPv6)<br>IEEE802.1X: EAP-MD5, EAP-TLS, EAP-TTLS, EAP-PEAP<br>Encrypted Communications: SSL/TLS, IPsec  |
| <b>Protocol</b>                                | IPv4, IPv6, TCP/IP, UDP, HTTP, FTP, SNMPv1/v2c/v3 (MIB2), DHCP, DNS, AutoIP, mDNS, ARP, ICMP, POP3, NTP, SMTP, RTP/RTCP, RTSP, SSL/TLS, IPsec, ONVIF, WV-HTTP (Canon proprietary)   |

| <b>Audio Compression Method</b>                               | G.711 μ-law (64 kbps)   |
|---|---|
| <b>Audio Communication Method</b>                             | Full-duplex (two-way) - Echo cancellation function compliant RTP, Sound Transfer Protocol by Canon  |
| <b>Audio File Playback</b>                                    | Available (audio files can be played back when an event is triggered by the intelligent function or external device input)<br>- Requires third-party amplifier & speaker  |
| <b>Privacy Mask</b>   | Registration: Max. 8 places, Mask colors: 1 (select from 9 colors)  |
| <b>Preset</b>   | Registers: Max. 20 positions (+Home Position)<br>Preset Tours: Max. 1   |
| <b>Intelligent Function (Video)</b>                           | Moving Object, Abandoned Object, Removed Object, Camera Tampering, Passing, and Intrusion Detection<br>Detection Settings: Max. 15<br>Non-detection Area Settings: Available  |
| <b>Intelligent Function (Audio)</b>                           | Volume Detection, Scream Detection  |
| <b>Event Trigger Type</b>                                     | External Device Input, Intelligent Function (Video), Intelligent Function (Audio), Timer, Day/Night Switch<br>Number of Linked Events: 2<br>Linked Event Conditions: OR, AND (whether or not there is a sequence to events)   |
| <b>Image Upload</b>   | FTP/HTTP/SMTP (e-mail)  |
| <b>Event Notification</b>                                     | HTTP/SMTP (e-mail)  |
| <b>Log Notification</b>                                       | SMTP (e-mail)   |
| <b>Image Cropping Function</b>                                | Digital PTZ<br>Cropping sizes: 640 x 360/512 x 288/384 x 216/256 x 144/128 x 72<br>640 x 480/512 x 384/384 x 288/256 x 192/128 x 96   |
| <b>On-Screen Display</b>                                      | Available<br>German/English/Spanish/French/Italian/Polish/Russian/Turkish/Chinese (Simplified)/Japanese   |
| <b>Daylight Saving Time</b>                                   | Available   |
| INTERFACE   |   |
| <b>Network Terminal</b>                                       | LAN x 1 (RJ45, 100Base-TX (auto/full-duplex/half-duplex))   |
| <b>Audio Input Terminal (common for LINE IN &amp; MIC IN)</b> | Φ3.5 mm (Φ0.14 in.) mini-jack connector (monaural)<br>LINE IN (connect to an amplifier microphone) or MIC IN (connect to a microphone w/o amplifier)<br>- Switch LINE IN/MIC IN in the setting page.  |
| <b>Audio Output Terminal (LINE OUT)</b>                       | Φ3.5 mm (Φ0.14 in.) mini-jack connector (monaural)<br>LINE OUT (connect to an amplifier speaker)  |
| <b>External Device I/O Terminal</b>                           | Input x 2, Output x 2   |
| <b>Memory Card</b>  | microSD Memory Card, microSDHC Memory Card, microSDXC Memory Card Compatible.<br>Recorded Content: Log, Video (Event, Manual, ONVIF, Timer, Upload)<br>Frame Rate: Max. 1 fps (JPEG)<br>Max. 30 fps (H.264)<br>- To insure reliability in the recording speed, it is recommended to use CLASS 10 rated products. Even when using CLASS 10 products, reliability cannot be guaranteed during heavy access loads (e.g., when recording and deleting data at the same time). |
| OTHER   |   |
| <b>Operating Environment</b>                                  | Temperature<br>AC, DC, PoE: -10°C – +50°C (-14°F – +122°F)<br>Humidity<br>5% – 85% (without condensation)   |
| <b>Storage Environment</b>                                    | Temperature<br>-50°C – +60°C (-22°F – +140°F)<br>Humidity<br>5% – 90% (without condensation)  |
| <b>Installation Method</b>                                    | Ceiling mount/Surface mount   |
| <b>Power Supply</b>   | PoE: PoE power supply via LAN connector (IEEE802.3at TypeI compliant)<br>AC Adapter: PA-V18 (100 – 240 V AC) (sold separately)<br>External power source: 24 V AC/12 V DC  |
| <b>Power Consumption</b>                                      | PoE: Max. approx. 8.4 W*<br>AC Adapter PA-V18: Max. approx. 9.9 W (100 V AC)<br>Max. approx. 9.8 W (240 V AC)<br>DC: Max. approx. 8.7 W<br>AC: Max. approx. 8.1 W<br>* Class O power sourcing equipment (requests 15.4 W)   |
| <b>Dimensions</b>   | (Φ x H) Φ150 x 129 mm (Φ5.91 x 5.08 in.)<br>- Camera only (excluding Ceiling Plate)   |
| <b>Weight</b>   | Approx. 890 g (1.97 lb.)  |
| <b>Impact Resistance</b>                                      | IK10 (20J)  |
| <b>International Standard</b>                                 | EN55032 Class B, FCC part15 subpart B Class B, ICES-003 Class B, VCCI Class B, RCM AS/NZS EN55032 Class B, CNS13438 Class B, KN32 Class B, EN55024, KN35, EN50581<br>IEC/UL/EN60950-1, EN50130-4, IEC/UL/EN62262 IK10   |

# Technical Specifications

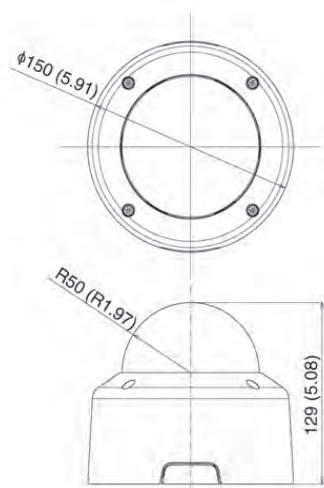
# VB-H651V

| APPLICATION   |   |
|---|---|
| <b>Viewer</b>                                       | Camera Viewer<br>- Supports Video Display Rotation<br>Mobile Camera Viewer  |
| <b>Included Software</b>                            | Camera Management Tool<br>RM-Lite<br>Recorded Video Utility   |
| <b>Language</b>                                     | German/English/Spanish/French/Italian/Polish/Russian/Thai/Turkish/<br>Chinese (Simplified)/Japanese   |
| <b>Operating System/<br/>Compatible<br/>Browser</b> | Windows Vista, Internet Explorer 9<br>Windows 7, Internet Explorer 11/Chrome 54<br>Windows 8.1, Internet Explorer 11/Chrome 54<br>Windows 10, Internet Explorer 11/Microsoft Edge/Chrome 54<br>Windows Server 2008, Internet Explorer 9<br>Windows Server 2008 R2, Internet Explorer 11/Chrome 54<br>Windows Server 2012, Internet Explorer 10/Chrome 54<br>Windows Server 2012 R2, Internet Explorer 11/Chrome 54<br>Windows Server 2016, Internet Explorer 11/Chrome 54 |
| <b>Verified Mobile<br/>Devices</b>                  | Surface, iPad, iPhone, Nexus, Galaxy  |

## What's in the box?

- VB-H651V Main Unit
- Setup CD-ROM
- Template
- Ceiling Plate
- Installation Guide
- Fixing Screw(s)
- Power Connector
- Audio Interface Cable
- Wrench
- Safety Wire & Fixing Screw
- Warranty Card
- Leaflet of Warranty Card
- Notification Leaflet for lens unit
- Caution When Using Memory Cards
- Packaging

## Dimensions (mm)



## Compatible Accessories



• Capture detailed images in low-light and reduce surveillance costs with this wide-angled indoor vandal-resistant dome camera.

# VB-H651V



This Full HD indoor vandal resistant dome camera offers a wide angle of view, superb low-light performance and IK10 impact protection.

Sales Start Date: May 2016

#### Product Details:

| Product Name | Mercury Code | EAN Code      |
|--------------|--------------|---------------|
| VB-H651V     | 1385C001AB   | 4549292070620 |

#### Optional Accessories:

| Product Name          | Mercury Code | EAN Code      |
|-----------------------|--------------|---------------|
| SR640-S-VB            | 0715C001AA   | 4549292043495 |
| SR640-P-VB            | 0717C001AA   | 4549292043518 |
| PC640-VB              | 0719C001AA   | 4549292043532 |
| DU640-S-VB            | 0722C001AA   | 4549292043563 |
| PA-V17(UK 3-pin plug) | 2245B003AA   | 4960999480206 |
| PA-V18(EU 2-pin plug) | 8362B002AA   | 4960999986791 |

#### Measurement / Logistic Information:

| Product Name | Mercury code | Pack type | Pack description | Quantity per pack | Length (mm) | Width (mm) | Height (mm) | Net Weight (kg) | Gross Weight (Kg) |
|--------------|--------------|-----------|------------------|-------------------|-------------|------------|-------------|-----------------|-------------------|
| VB-H651V     | 1385C001AB   | EA        | Each             | 1                 | 248         | 248        | 257         | 0.9             | 1.9               |
|              |              | CT        | Carton           | 2                 | 277         | 518        | 284         | 1.8             |                   |
|              |              | EP        | Euro Pallet      | 18                |             |            |             | 16.0            |                   |