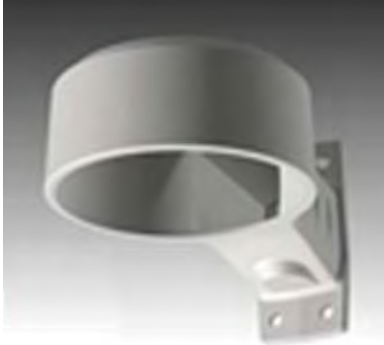


A-SWD5ZWB600 Wall Mount Bracket

Model Name	Model Description	Item Code
A-SWD5ZWB600	Wall Mount Bracket for VB-M600VE & VB-H610VE	2178V433



The A-SWD5ZWB600 Wall Mount Bracket kit includes the A-SWD5ZWB Wall Bracket and the A-SWD5ZWB-2 attachment plate that allows you to directly mount the Canon VB-M600VE and the VB-H610VE to the bracket without the need of an additional enclosure. The aluminum housing provides excellent protections as well as additional weather resistance.

Compatible Canon Camera Models:
VB-M600VE, VB-H610VE

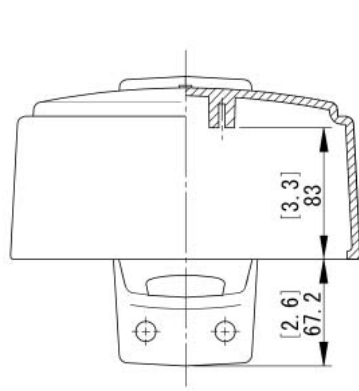
Specifications

Operating Environment	Outdoor
Mounting Bracket	Wall Mount W type Material = Aluminum Powder Coat Finish, Standard Color : OFF WHITE
Weight	Approx. 2kgs (4.4 lbs)
Recommended Screw	3/8" or M8~M10 Stainless Screws x 4 (Not included in product)
Standard & Compliance	RoHS

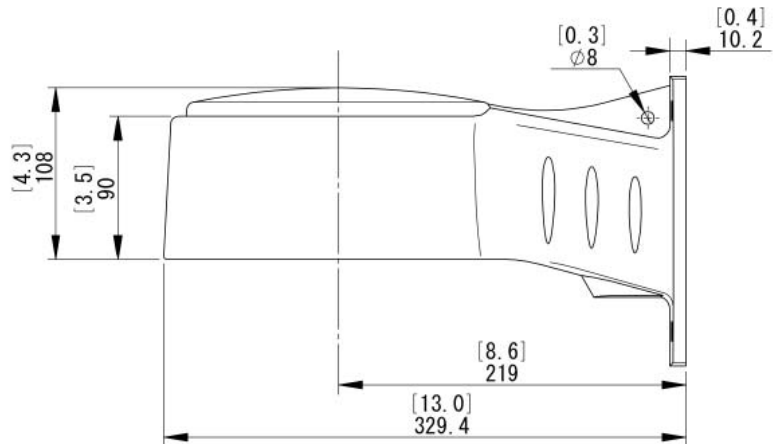


A-SWD5ZWB600 Wall Mount Bracket

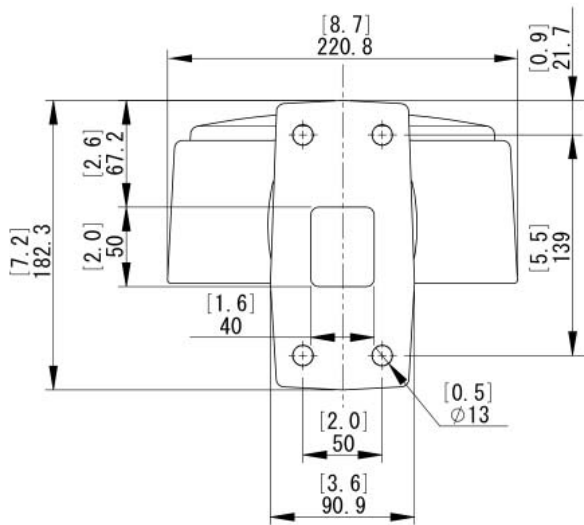
Unit: [inch]
mm



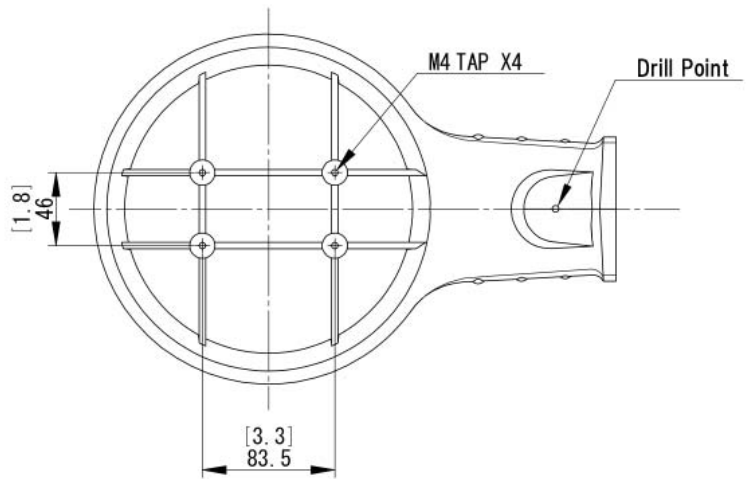
FRONT



SIDE



BACK



BOTTOM