

# INSTALLATION GUIDE

## AXIS T94H01P Conduit Back Box

## Liability

Every care has been taken in the preparation of this document. Please inform your local Axis office of any inaccuracies or omissions. Axis Communications AB cannot be held responsible for any technical or typographical errors and reserves the right to make changes to the product and manuals without prior notice. Axis Communications AB makes no warranty of any kind with regard to the material contained within this document, including, but not limited to, the implied warranties of merchantability and fitness for a particular purpose. Axis Communications AB shall not be liable nor responsible for incidental or consequential damages in connection with the furnishing, performance or use of this material. This product is only to be used for its intended purpose.

## Intellectual Property Rights

Axis AB has intellectual property rights relating to technology embodied in the product described in this document. In particular, and without limitation, these intellectual property rights may include one or more of the patents listed at <http://www.axis.com/patent.htm> and one or more additional patents or pending patent applications in the US and other countries.

## Equipment Modifications

This equipment must be installed and used in strict accordance with the instructions given in the user documentation. This equipment contains no user-serviceable components. Unauthorized equipment changes or modifications will invalidate all applicable regulatory certifications and approvals.

## Trademark Acknowledgments

AXIS COMMUNICATIONS, AXIS, ETRAX, ARTPEC and VAPIX are registered trademarks or trademark applications of Axis AB in various jurisdictions. All other company names and products are trademarks or registered trademarks of their respective companies.

## Support

Should you require any technical assistance, please contact your Axis reseller. If your questions cannot be answered immediately, your reseller will forward your queries through the appropriate channels to ensure a rapid response. If you are connected to the Internet, you can:

- download user documentation and software updates
- find answers to resolved problems in the FAQ database. Search by product, category, or phrase
- report problems to Axis support staff by logging in to your private support area
- chat with Axis support staff (selected countries only)
- visit Axis Support at [www.axis.com/techsup/](http://www.axis.com/techsup/)


Should you require any technical assistance, please contact appropriate channels according to your AVHS license agreement to ensure a rapid response.

## Learn More!

Visit Axis learning center [www.axis.com/academy/](http://www.axis.com/academy/) for useful trainings, webinars, tutorials and guides.

## Regulatory Information

### Europe

 This product complies with the applicable CE marking directives and harmonized standards:

- Low Voltage (LVD) Directive 2006/95/EC. See *Safety*, on page 2.
- Restrictions of Hazardous Substances (RoHS) Directive 2011/65/EU. See *Disposal and Recycling*, on page 2.

A copy of the original declaration of conformity may be obtained from Axis Communications AB. See *Contact Information*, on page 3.

### Safety


This product complies with IEC/EN/UL 60950-1, Safety of Information Technology Equipment.

### Disposal and Recycling

When this product has reached the end of its useful life, dispose of it according to local laws and regulations. For information about your nearest designated collection point, contact your local authority responsible for waste disposal. In accordance with local legislation, penalties may be applicable for incorrect disposal of this waste.


### Europe



 This symbol means that the product shall not be disposed of together with household or commercial waste. Directive 2012/19/EU on waste electrical and electronic equipment (WEEE) is applicable in the European Union member states. To prevent potential harm to human health and the environment, the product must be disposed of in an approved and environmentally safe recycling process. For information about your nearest designated collection point, contact your local authority responsible for waste disposal. Businesses should contact the product supplier for information about how to dispose of this product correctly.

This product complies with the requirements of Directive 2011/65/EU on the restriction of the use of certain hazardous substances in electrical and electronic equipment (RoHS).

### China

 This product complies with the requirements of the legislative act Administration on the Control of Pollution Caused by Electronic Information Products (ACPEIP).

## Safety Information

Read through this Installation Guide carefully before installing the product. Keep the Installation Guide for future reference.

### Hazard Levels

#### DANGER

Indicates a hazardous situation which, if not avoided, will result in death or serious injury.

#### WARNING

Indicates a hazardous situation which, if not avoided, could result in death or serious injury.

#### CAUTION

Indicates a hazardous situation which, if not avoided, could result in minor or moderate injury.

**NOTICE**

Indicates a situation which, if not avoided, could result in damage to property.

**AVIS**

Indique une situation qui, si elle n'est pas évitée, pourrait entraîner des dommages à l'appareil.

**Other Message Levels****Important**

Indicates significant information which is essential for the product to function correctly.

**Note**

Indicates useful information which helps in getting the most out of the product.

**Important**

Indique les informations importantes, nécessaires pour assurer le bon fonctionnement de l'appareil.

**Note**

Indique les informations utiles qui permettront d'obtenir le plein potentiel de l'appareil.

**Safety Instructions****NOTICE**

- The Axis product shall be used in compliance with local laws and regulations.
- Store the Axis product in a dry and ventilated environment.
- Avoid exposing the Axis product to vibration, shocks or heavy pressure.
- Do not install the product on unstable or vibrating brackets, surfaces or walls.
- Use only applicable tools when installing the Axis product. Excessive force could cause damage to the product.
- Do not use chemicals, caustic agents, or aerosol cleaners. Use a damp cloth for cleaning.
- Use only accessories that comply with technical specification of the product. These can be provided by Axis or a third party.
- Use only spare parts provided by or recommended by Axis.
- Do not attempt to repair the product by yourself. Contact Axis support or your Axis reseller for service matters

**Transportation****NOTICE**

- When transporting the Axis product, use the original packaging or equivalent to prevent damage to the product.

**FRANÇAIS****Informations sur la sécurité**

Lisez attentivement ce guide d'installation avant d'installer l'appareil. Conservez le Guide d'installation pour référence ultérieure.

**Niveaux de risques****▲ DANGER**

Indique une situation dangereuse qui, si elle n'est pas évitée, entraînera le décès ou les blessures graves.

**▲ AVERTISSEMENT**

Indique une situation dangereuse qui, si elle n'est pas évitée, pourrait entraîner le décès ou les blessures graves.

**▲ ATTENTION**

Indique une situation dangereuse qui, si elle n'est pas évitée, pourrait entraîner les blessures légères ou modérées.

**Autres niveaux de message****Consignes de sécurité****AVIS**

- Le produit Axis doit être utilisé conformément aux lois et dispositions locales en vigueur.
- Rangez le produit Axis dans un environnement sec et aéré.
- Évitez d'exposer ce produit aux vibrations, au chocs et à une pression élevée.
- N'installez pas l'appareil sur des supports, des surfaces ou des murs instables ou qui vibrent.
- Utilisez uniquement des outils recommandés pour l'installation de l'appareil Axis. Une force excessive pourrait endommager l'appareil.
- N'utilisez pas de produits chimiques, d'agents caustiques ou de nettoyants en aérosol. Utilisez un chiffon humide pour le nettoyage.
- Utilisez uniquement des accessoires conformes aux caractéristiques techniques de l'appareil. Ils peuvent être achetés auprès d'Axis ou d'un tiers.
- Utilisez uniquement les pièces de rechange fournies ou recommandées par Axis.
- N'essayez pas de réparer l'appareil par vous-même. Contactez l'assistance technique d'Axis ou votre revendeur Axis pour les problèmes d'entretien

**Transport****AVIS**

- Lors du transport du produit Axis, utilisez l'emballage d'origine ou l'équivalent pour éviter d'endommager le produit.

**DEUTSCH****Sicherheitsinformation**

Lesen Sie das Installationshandbuch sorgfältig durch bevor sie das Produkt installieren. Bewahren Sie das Installationshandbuch für zukünftige Zwecke auf.

**Gefährdungstufen****▲ GEFAHR**

Weist auf eine gefährliche Situation hin, die, falls nicht verhindert, zu Tod oder schweren Verletzungen führen kann.

**▲ WARNUNG**

Weist auf eine gefährliche Situation hin, welche, falls nicht verhindert, zu Tod oder schweren Verletzungen führen kann.

## **▲VORSICHT**

Weist auf eine gefährliche Situation hin, welche, falls nicht verhindert, zu geringfügiger oder mäßiger Verletzung führen kann.

## **HINWEIS**

Weist auf eine gefährliche Situation hin, welche, falls nicht verhindert, zu Eigentumsschaden führen kann.

### Weitere Nachrichtenstufen

#### **Wichtig**

Weist auf wichtige Informationen hin, die den richtigen Betrieb des Produkts gewährleisten.

#### **Beachten**

Weist auf nützliche Informationen hin, die die beste Anwendung des Produkts unterstützen.

### Sicherheitsanweisungen

#### **HINWEIS**

- Die Anwendung des Axis Produkts muss unter Beachtung der örtlich geltenden rechtlichen Bestimmungen erfolgen.
- Bewahren Sie das Axis Produkt in einer trockenen und belüfteten Umgebung auf.
- Vermeiden Sie das Axis Produkt Vibrationen, Schlägen oder großem Druck auszusetzen.
- Installieren Sie das Produkt nicht auf instabilen oder wackelnden Halterungen, Oberflächen oder Wänden.
- Verwenden Sie bei der Installation des Axis Produkts ausschließlich passende Werkzeuge. Ein zu großer Kraftaufwand kann das Produkt beschädigen.
- Verwenden Sie keine Chemikalien, Ätzmittel oder Aerosolreiniger. Verwenden Sie ein feuchtes Tuch zum Reinigen.
- Verwenden Sie ausschließlich Zubehör, das die technische Vorgabe des Produktes erfüllt. Diese können entweder von Axis oder einem Drittanbieter bereitgestellt werden.
- Verwenden Sie ausschließlich Ersatzteile die von Axis bereitgestellt oder empfohlen werden.
- Versuchen Sie nicht das Produkt selbstständig zu reparieren. Kontaktieren Sie den Axis Support oder Ihren Axis Verkäufer im Falle von Service-Fragen.

### Transport

#### **HINWEIS**

- Bei Bedarf Axis Produkt in der Originalverpackung oder entsprechenden Verpackung transportieren, so dass Schäden vermieden werden.

## ITALIANO

### Informazioni di Sicurezza

Leggere questa Guida d'Installazione prima di installare il prodotto. Conservare la Guida d'Installazione per usi futuri.

### Livelli di pericolo

#### **▲PERICOLO**

Indica una situazione pericolosa che, se non evitata, provoca morte o lesioni gravi.

#### **▲AVVERTENZA**

Indica una situazione pericolosa che, se non evitata, può provocare la morte o lesioni gravi.

#### **▲ATTENZIONE**

Indica una situazione pericolosa che, se non evitata, può provocare la morte o lesioni gravi.

#### **AVVISO**

Indica una situazione pericolosa che, se non evitata, può danneggiare la proprietà.

### Livelli altro messaggio

#### **Importante**

Indica informazioni importanti, essenziali per il corretto funzionamento del prodotto.

#### **Nota**

Indica informazioni utili che aiutano a ottenere il massimo dal prodotto.

### Istruzioni di sicurezza

#### **AVVISO**

- Il prodotto Axis deve essere utilizzato in conformità alle leggi e alle disposizioni locali.
- Conservare il prodotto Axis in un ambiente asciutto e ventilato.
- Evitare di esporre il prodotto Axis a vibrazioni, urti o pressioni pesanti.
- Non installare il prodotto su supporti, superfici o pareti instabili o vibranti.
- Utilizzare solo strumenti applicabili quando si installa il prodotto Axis. Una forza eccessiva può causare danni al prodotto.
- Non utilizzare prodotti chimici, agenti caustici, o spray. Utilizzare un panno umido per la pulizia.
- Utilizzare solo accessori conformi alle specifiche tecniche del prodotto. Questi possono essere forniti da Axis o da una terza parte.
- Utilizzare solo parti di ricambio fornite o consigliate da Axis.
- Non tentare di riparare il prodotto da soli. Contattare il supporto Axis o il rivenditore Axis per questioni relative alla manutenzione

### Trasporti

#### **AVVISO**

- Durante il trasporto del prodotto Axis, utilizzare l'imballaggio originale o equivalente per evitare danni al prodotto.

## ESPAÑOL

### Información de seguridad

Lea atentamente la Guía de instalación antes de instalar el producto. Guarde la Guía de instalación para futuras consultas.

#### Niveles de peligro

##### ▲PELIGRO

Indica una situación peligrosa donde, si no se evita, causará la muerte o graves lesiones

##### ▲ADVERTENCIA

Indica una situación peligrosa donde, si no se evita, podría causar la muerte o graves lesiones

##### ▲ATENCIÓN

Indica una situación peligrosa donde, si no se evita, podría provocar lesiones leves o moderadas.

##### AVISO

Indica una situación peligrosa donde, si no se evita, podría provocar daños en la propiedad.

#### Otros niveles de mensaje

##### Importante

Indican información importante esencial para que el producto funcione de forma correcta.

##### Nota

Indica información útil que ayuda a obtener el máximo rendimiento del equipo.

### Instrucciones de seguridad

#### AVISO

- El producto Axis se utilizará de conformidad con la legislación y normativas locales.
- Guarde el producto Axis en un entorno seco y ventilado.
- Evite exponer el producto Axis a vibraciones, golpes o presiones excesivas.
- No instale el producto en paredes o superficies con escuadras inestables o que vibren.
- Use solo las herramientas adecuadas al instalar el producto Axis. Fuerza excesiva puede causar daños al producto.
- No utilice productos químicos, agentes cáusticos ni limpiadores en aerosol. Utilice un paño húmedo para limpiarlo.
- Utilice solo accesorios que cumplan las especificaciones técnicas del producto. Puede obtenerlos de Axis o de un tercero.
- Utilice solo piezas de recambio suministradas o recomendadas por Axis.
- No intente reparar el producto usted mismo. Contacte con el servicio técnico de Axis o con su distribuidor de Axis para asuntos de servicio.

#### Transporte

#### AVISO

- A la hora de transportar el producto Axis, utilice el embalaje original o uno equivalente para no dañar el producto.

## 日本語

### 安全情報

本製品を設置する前に、本インストールガイドをよくお読みください。インストールガイドは今後参照できるように保管しておいてください。

#### 危険レベル

##### ▲危険

回避しない場合、死亡または重傷につながる危険状態を示します。

##### ▲警告

回避しない場合、死亡または重傷につながる可能性のある危険状態を示します。

##### ▲注意

回避しない場合、軽傷または中程度の怪我につながる可能性のある危険状態を示します。

##### 注記

回避しない場合、器物の破損につながる可能性のある状態を示します。

#### その他のレベルのメッセージ

##### 重要

製品を正しく機能させるための重要な情報を示します。

##### 注意

製品を最大限に活用するために役立つ情報を示します。

### 安全の確保

#### 注記

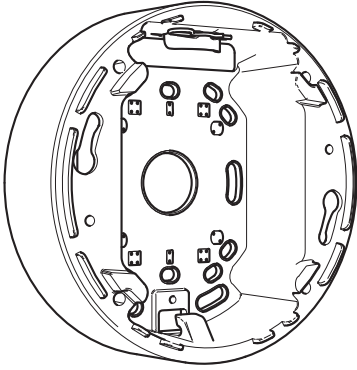
- 本製品は、お使いになる国や地域の法律および条例にしたがって使用してください。
- 本製品は、乾燥した通気の良い環境に保管してください。
- 本製品に振動、衝撃または強い圧力を加えないでください。
- 本製品を不安定なブラケット、不安定な場所、振動する場所や壁に設置しないでください。
- 本製品を設置する際には、適切な工具のみを使用してください。不適切な工具を使用すると、製品に過剰な力がかかり、損傷することがあります。
- 化学薬品、腐食剤、噴霧式クリーナーは使用しないでください。クリーニングを行う場合には、湿った布を使用してください。
- 製品の技術仕様に準拠したアクセサリのみを使用してください。Axisまたはサードパーティから入手することができます。
- Axisが提供または推奨する交換部品のみを使用してください。
- 製品を自分で修理しないでください。修理に関しては、AxisまたはAxisの販売代理店にお問い合わせください。

## 輸送

### 注記

- 本製品を運搬する際は、製品が損傷しないよう、元の梱包または同等の梱包を使用してください。

AXIS T94H01P



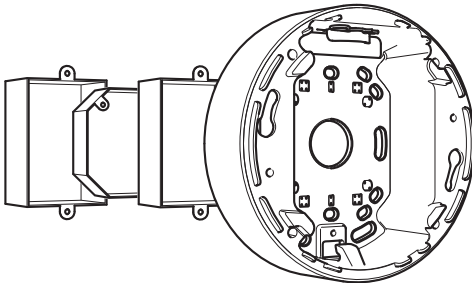
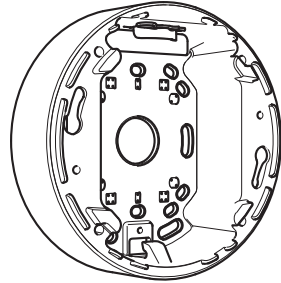
1x



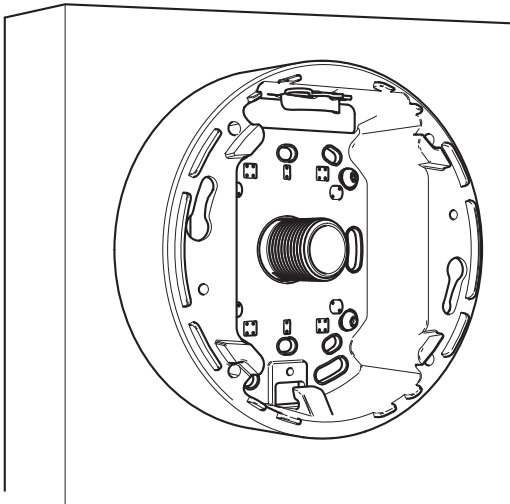
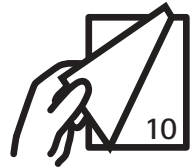
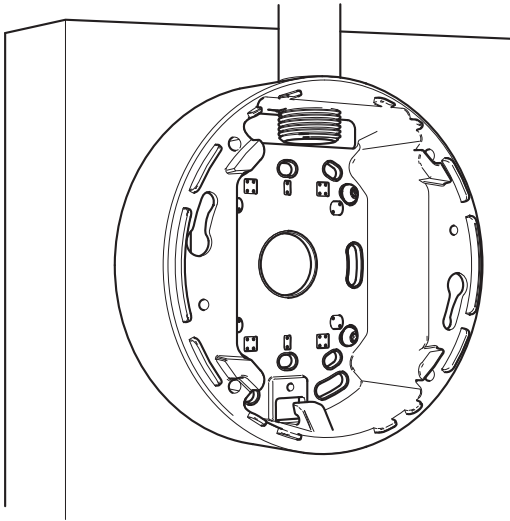
2x



IK10

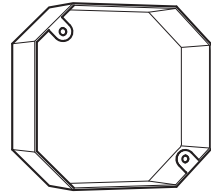
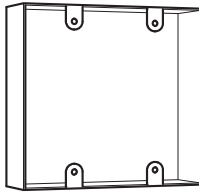
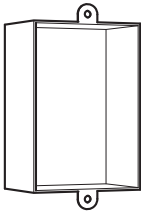
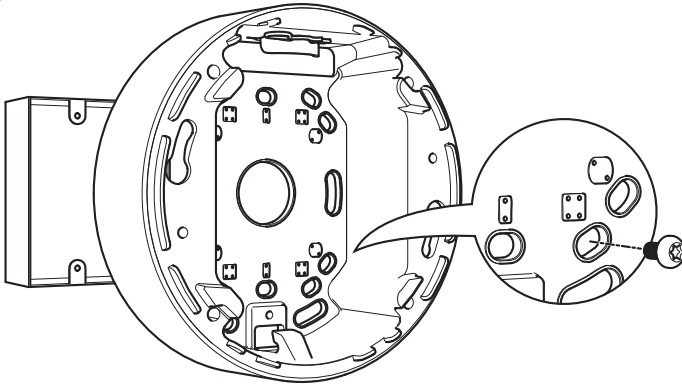


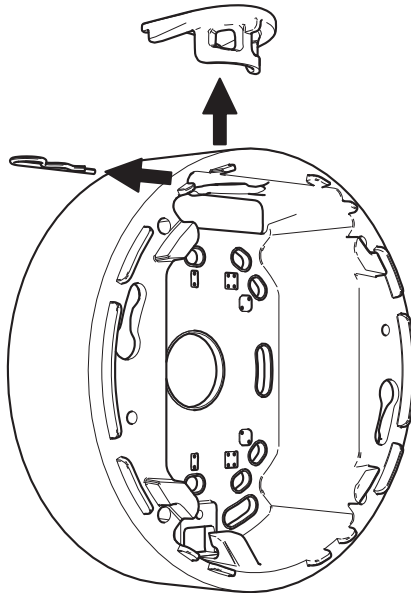
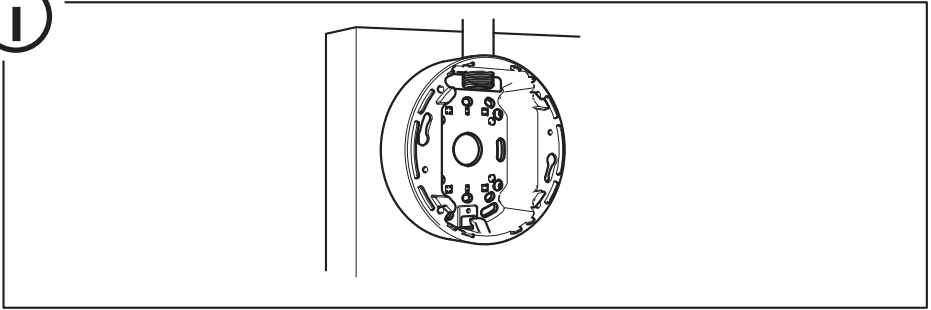
~~IK10~~





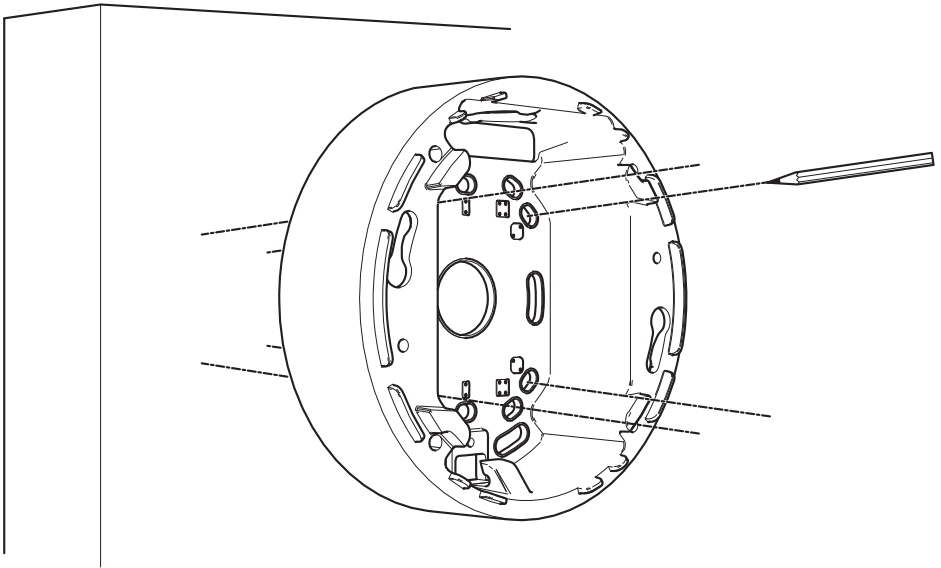
# AXIS T94H01P



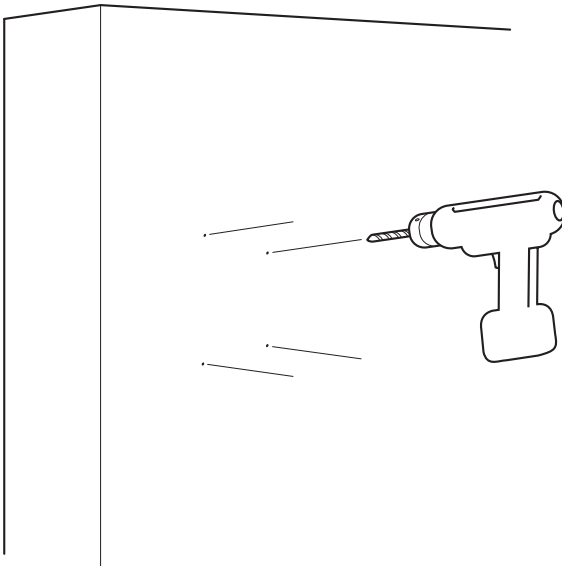


# AXIS T94H01P

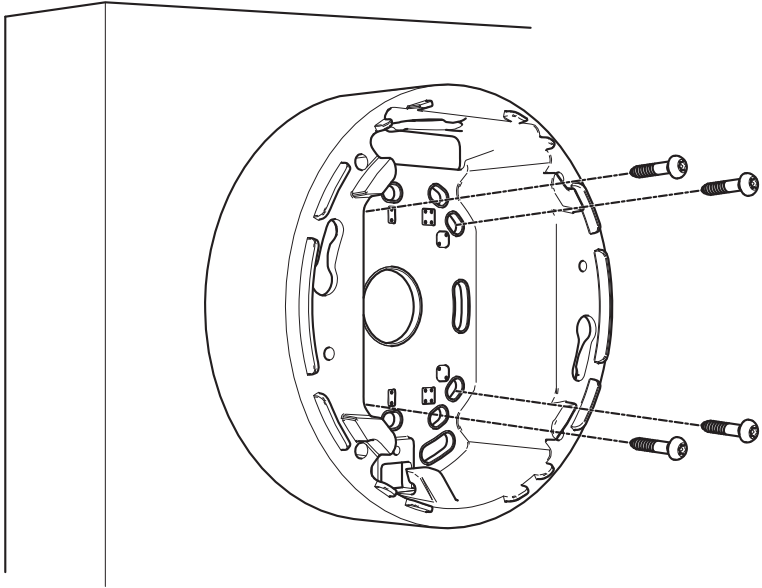
2



3

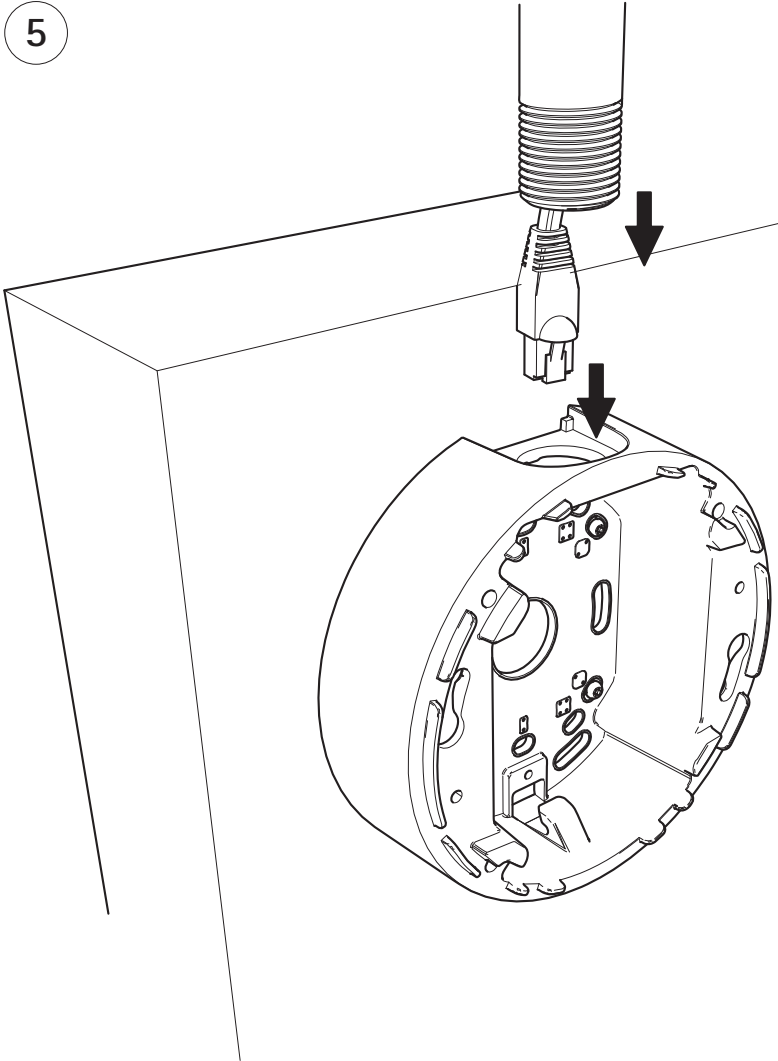


4

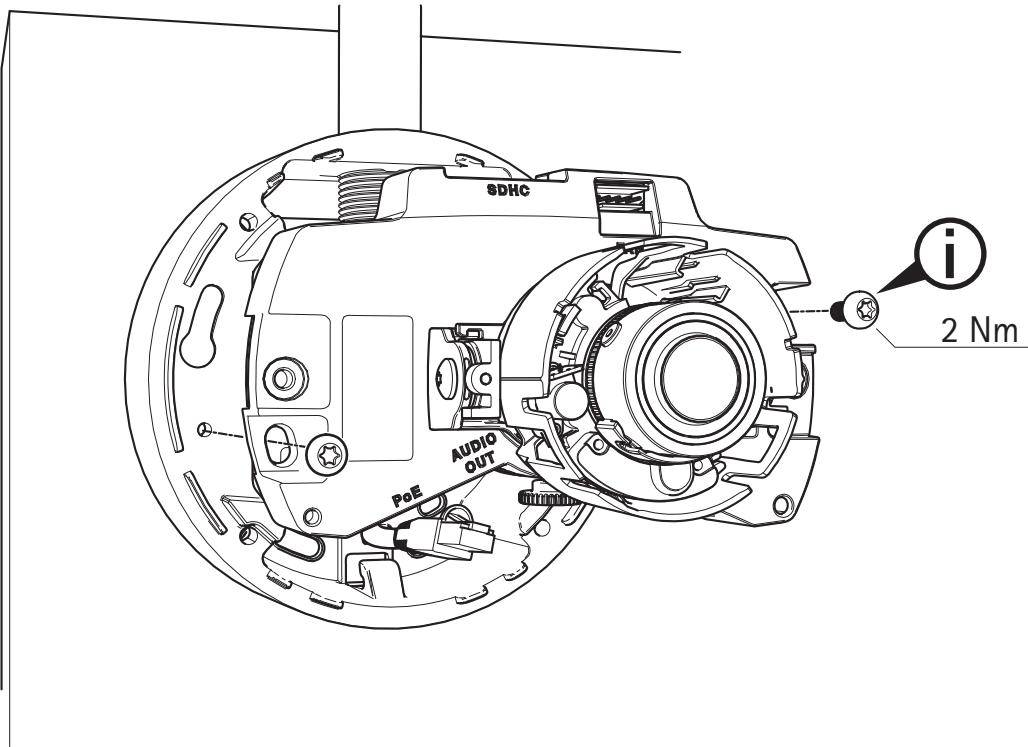


# AXIS T94H01P

5



6

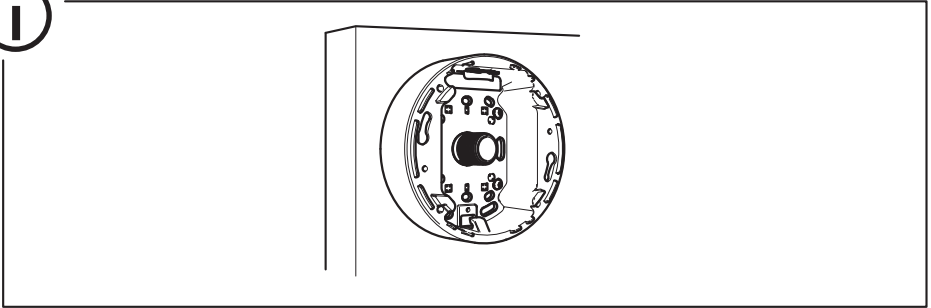


i

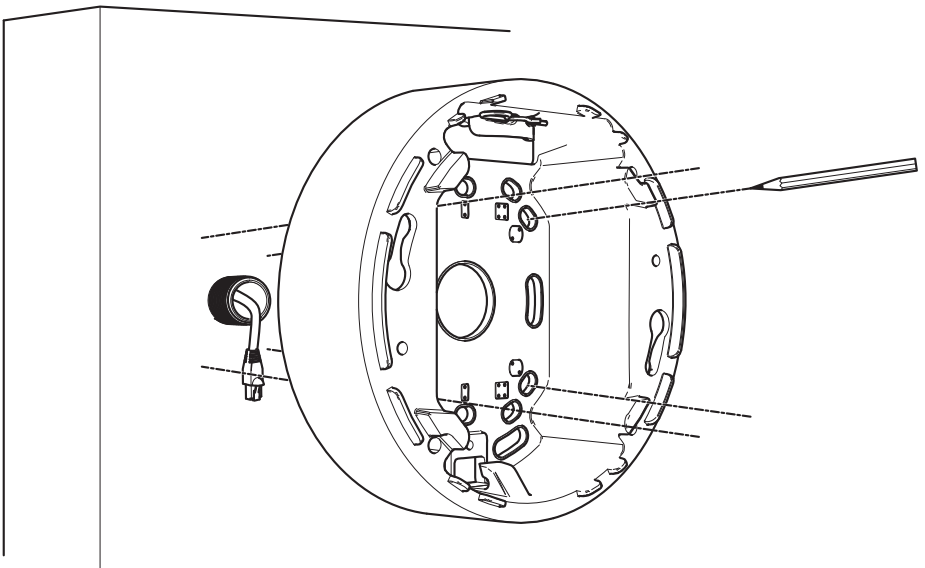


[www.axis.com/products/p33\\_series/](http://www.axis.com/products/p33_series/)

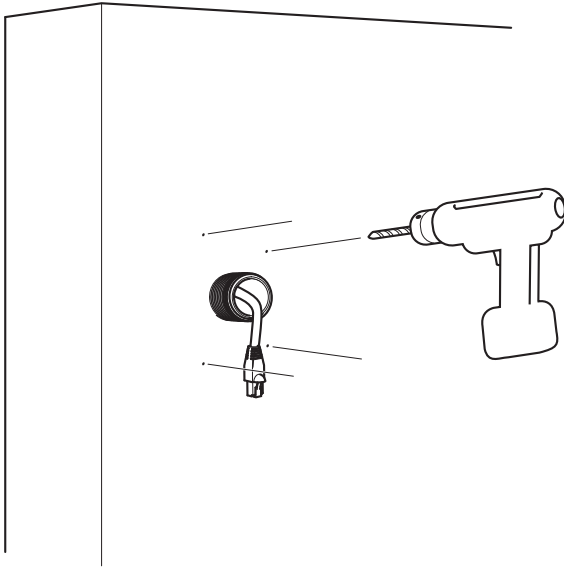
# AXIS T94H01P



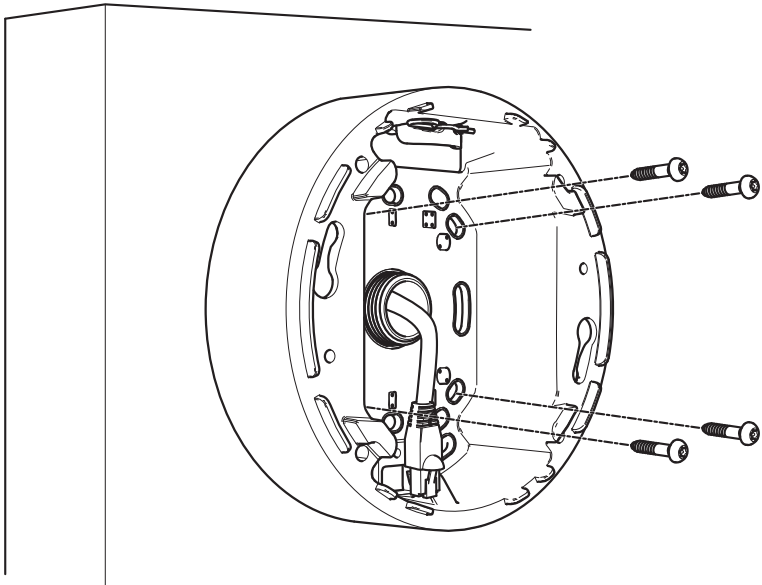
7



8

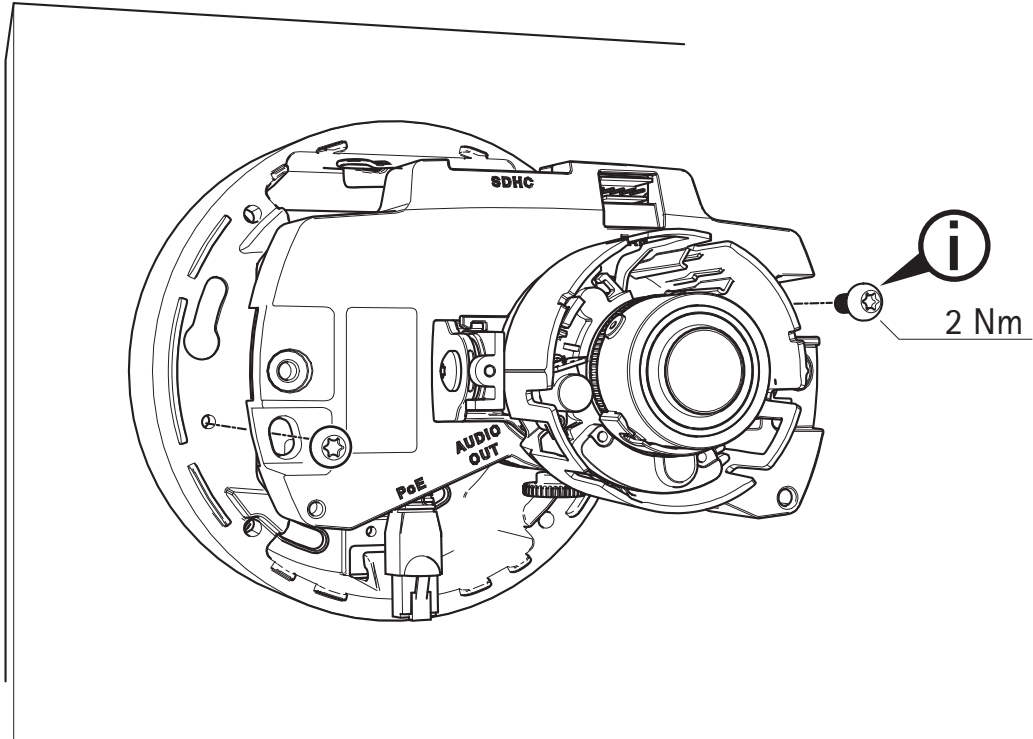


9

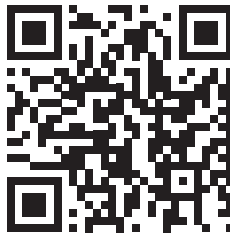




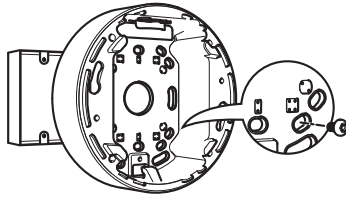
10



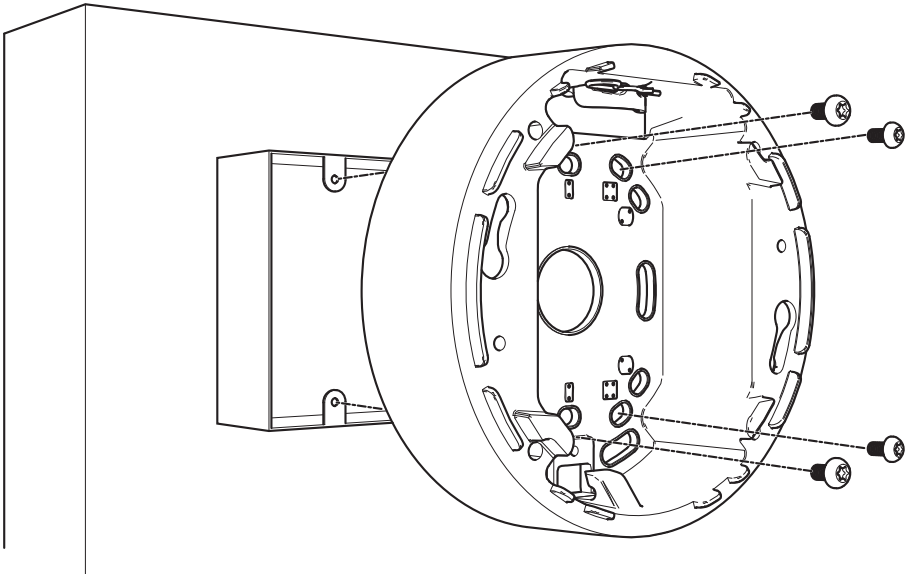
i



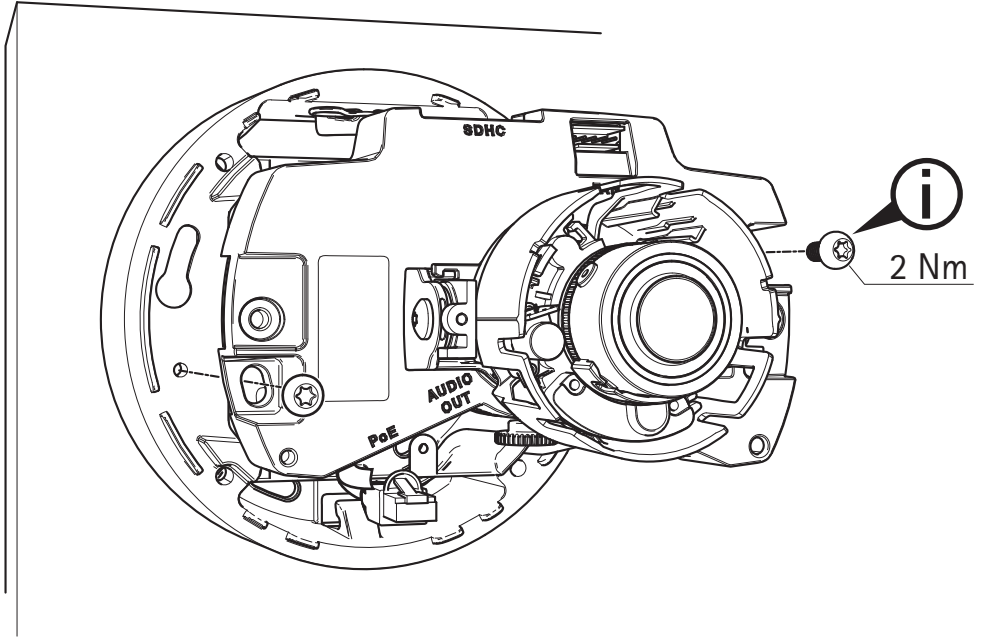
[www.axis.com/products/p33\\_series/](http://www.axis.com/products/p33_series/)



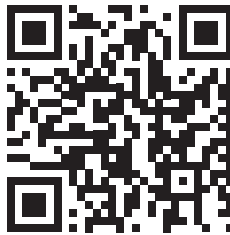
11



12



i



[www.axis.com/products/p33\\_series/](http://www.axis.com/products/p33_series/)

Installation Guide

AXIS T94H01P

© Axis Communications AB, 2013

Ver 1.0

Date: January 2013

Part No. 50500