

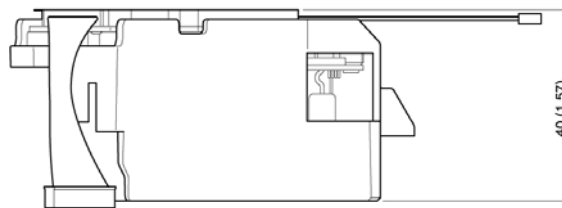
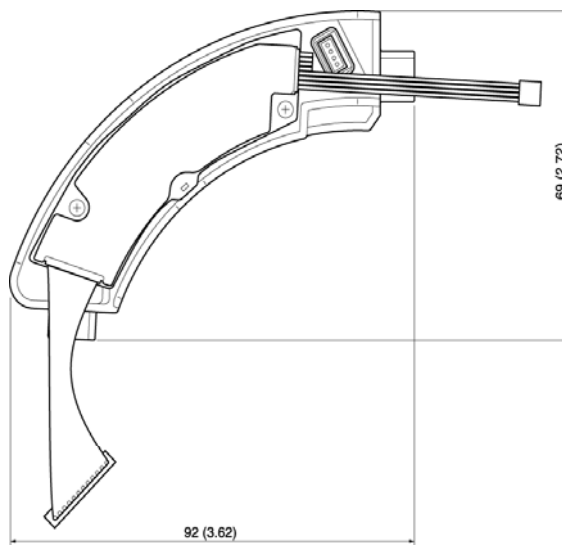
Accessory Specifications

VB-H43	VB-H630VE	VB-H630D	VB-H730F
VB-M42	VB-M620VE	VB-M620D	VB-M720F

Heater Unit

(HU600-VB)

This accessory is installed inside the camera and allows camera operation even in cold environments. When the interior temperature of the camera drops to 0°C or lower, the heater turns on to maintain an operational temperature inside the camera.



Unit: mm (in.)

Specification

Dimensions	(H x W x D) 40 x 69 x 92 mm (1.57 x 2.72 x 3.62 in.) (excluding connectors)
Weight	Approx. 39 g (1.4 oz.)