

VB-H43/B



Keep every angle covered

The VB-H43 Full HD PTZ IP security camera combines a powerful 240x zoom, low-light capability and fast auto-focus. Flexible installation options for indoor and outdoor use.



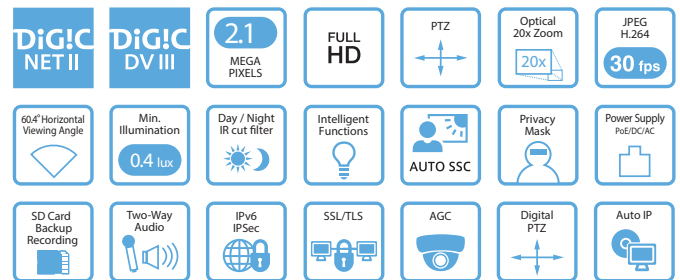
With DR41-C-VB Indoor Clear Dome Housing



- Full HD PTZ IP security camera
- Powerful 20x optical zoom lens with 12x digital zoom and fast autofocus
- True Day / Night and two-way audio
- Superior image quality using Canon DIGIC DV III processor
- Canon DIGIC NET II supports dual H.264 video streams (up to 30 fps)
- Superior low-light performance: colour at 0.4 lux and mono at 0.02 lux
- Auto Smart Shade Control (Auto-SSC) improves foreground objects in bright backlit scenes
- Intelligent Functions
- Two colour options: Silver (VB-H43) and Black (VB-H43B)

Product Range

VB-R11
VB-H43/B
VB-M42/B
VB-S30D
VB-S31D



Technical Specifications

VB-H43/B

CAMERA	
Image Sensor	1/3 type CMOS (primary colour filter)
Number of Effective Pixels	Approx. 2.1 million pixels
Scanning Method	Progressive
Lens	20x optical (12x digital zoom) zoom lens with auto focus
Focal Length	4.7 (W) – 94 mm (T) (W): maximum wide angle, (T): maximum telephoto
F-number	F1.6 (W) – F3.5 (T)
Viewing Angle	For 16:9 aspect ratios: Horizontal: 60.4° (W) – 3.2° (T) Vertical: 35.1° (W) – 1.8° (T) For 4:3 aspect ratios: Horizontal: 46.3° (W) – 2.4° (T) Vertical: 35.1° (W) – 1.8° (T)
Day / Night Switch	Auto / Day Mode / Night Mode
Min. Subject Illumination	Day Mode (colour): 0.4 lux (F1.6, shutter speed 1/30 sec., when SSC is off, 50IRE) 0.03 lux (F1.6, shutter speed 1/2 sec., when SSC is off, 50IRE) 0.01 lux (F1.6, shutter speed 1/2 sec., when SSC is on, 50IRE) Night Mode (monochrome): 0.02 lux (F1.6, shutter speed 1/30 sec., when SSC is off, 50IRE) 0.002 lux (F1.6, shutter speed 1/2 sec., when SSC is off, 50IRE) 0.001 lux (F1.6, shutter speed 1/2 sec., when SSC is on, 50IRE)
Focus	Auto / One-shot AF / Manual / Fixed at infinity
Shooting Distance	Day Mode: 0.3 m (12 in.) – infinity (W), 1.0 m (3.3 ft.) – infinity (T) Night Mode: 1.0 m (3.3 ft.) – infinity (W), 1.5 m (4.9 ft.) – infinity (T) When [Use] is selected for [Dome]: Day Mode: 2.0 m (6.6 ft.) – infinity (W, T) Night Mode: 1.0 m (3.3 ft.) – infinity (W), 2.2 m (7.2 ft.) – infinity (T)
Shutter Speed	1, 1/2, 1/4, 1/8, 1/15, 1/30, 1/60, 1/100, 1/120, 1/250, 1/500, 1/1000, 1/2000, 1/4000, 1/8000, 1/10000, 1/16000 sec.
Exposure	Auto/Auto (Flickerless)/Auto (Shutter-priority AE)/Manual (Shutter Speed, Aperture, Gain)
White Balance	Auto / Light Source (Daylight Fluorescent / White Fluorescent / Warm Fluorescent / Mercury Lamp / Sodium Lamp / Halogen Lamp) / Manual (One-shot WB/R Gain / B Gain)
Metering Modes	Center-Weighted / Average / Spot
Exposure Compensation	9 levels
Smart Shade Control	Auto / Manual / Disable Auto: 3 levels Manual: 7 levels
Haze Compensation	Auto / Manual / Disable Auto: 3 levels Manual: 7 levels
AGC Limit	5 levels
Image Stabilizer	2 levels (digital)
Pan Angle Range	340° (±170°)
Tilt Angle Range	100° (ceiling-mounted position: -90° – +10°) – When the horizontal direction of the camera is 0°
Moving Speed	Pan: Max. 150°/sec., Tilt: Max. 150°/sec.
SERVER UNIT	
Video Compression Method	JPEG, H.264
Video Size	JPEG, H.264: 1920 x 1080, 960 x 540, 480 x 270 1280 x 720, 640 x 360, 320 x 180 1280 x 960, 640 x 480, 320 x 240
Video Quality	JPEG, H.264: 5 levels
Frame Rate	JPEG: 0.1 – 30 fps H.264: 1/2/3/5/6/10/15/30 fps – Values represent streaming performance from the camera. – The frame rate may be reduced due to Viewer PC's specs, the number of clients accessing at the same time, network loads, video quality setting, type or movement of the subject or other reasons.
Max. Frame Rate	When streaming JPEG, H.264 (1920 x 1080): 30 fps When used in the following combinations: When streaming H.264(1) (1920 x 1080) and H.264(2) (all sizes) simultaneously: 15 fps When streaming H.264(1) (all sizes) and H.264(2) (1920 x 1080) simultaneously: 15 fps When streaming H.264(1) (1280 x 960) and H.264(2) (1280 x 960) simultaneously: 15 fps When streaming H.264(1) (1280 x 720) and H.264(2) (1280 x 720) simultaneously: 15 fps
I-Frame Interval	0.5/1/1.5/2/3/4/5 sec.
Simultaneous Client Access	Max. 30 Clients + 1 Admin Client – H.264: Max. 10 Clients
Camera Control	Administrator, Authorized user, Guest user (level of control varies depending on user) Max. 50 user names and passwords registered for authorized users.
Access Control	User authority (user name and password), Host Access Restrictions (IPv4, IPv6)
Encrypted Communications	SSL / TLS, IPsec (Auto Key Exchange/Manual)
IEEE 802.1X Protocol	EAP-MD5, EAP-TLS, EAP-TTLS, EAP-PEAP IPv4: TCP / IP, UDP, HTTP, FTP, SNMPv1 / v2c / v3 (MIB2), SMTP (Client), DHCP (Client), DNS (Client), mDNS, ARP, ICMP, POP3, NTP, SMTP authentication, RTSP, WV-HTTP (Canon proprietary), ONVIF IPv6: TCP / IP, UDP, HTTP, FTP, SMTP (Client), DHCPv6 (Client), DNS (Client), mDNS, ICMPv6, POP3, NTP, SMTP authentication, RTSP, WV-HTTP (Canon proprietary), ONVIF

AutoIP	Available
Audio Compression Method	G.711 μ-law (64 kbps)
Audio Communication Method	Full-duplex (two-way) – Echo cancellation function compliant Sound Transfer Protocol by Canon
Audio File Playback	Available (audio files can be played back when an event is triggered by the intelligent function or external device input.) – Requires third-party amplifier & speaker
Privacy Mask	Number of registration: Max. 8 places, Number of mask colours: 1 (select from 9 colours)
View Restriction	Available
Preset	Max. 64 positions
Intelligent Function	Video: Detection Types: moving object detection, abandoned object detection, removed object detection, camera tampering detection, and passing detection Detection Settings: Max. 15 Volume: Volume Detection
Event Trigger Type	External Device Input, Intelligent Function (Video), Intelligent Function (Volume), Timer
Image Upload	FTP / HTTP / SMTP (e-mail) Temporary storage memory in camera: Max. approx. 5 MB Frame Rate: Max. 10 fps (JPEG) Max. 30 fps (H.264)
Event Notification	HTTP / SMTP (e-mail)
On-Screen Display	Available
Daylight Saving Time	Available
Custom Settings	Number of registers: 4 Items to Reg.: Pan / Tilt / Zoom, Exposure, Smart Shade Control, Haze Compensation, Focus, White Balance, Image Quality Adjustment, Day / Night

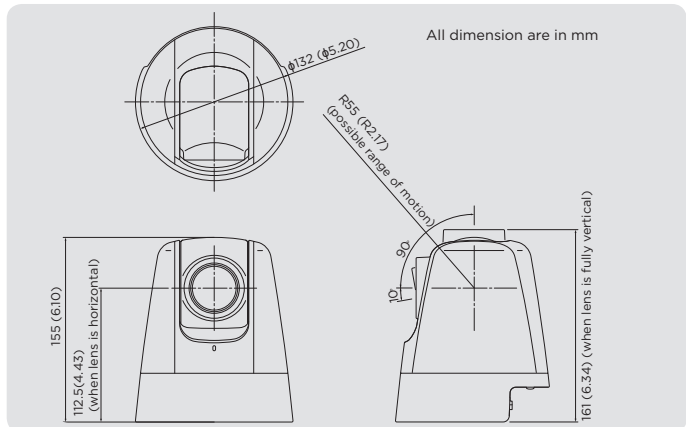
APPLICATION	
Viewer	Camera-side: Admin Viewe VB Viewer Client-side: RM-Lite Viewer
Admin Tools	Privacy Mask Setting Tool Panorama Creation Tool View Restriction Setting Tool Preset Setting Tool Intelligent Function Setting Tool Log Viewer Recorded Video Utility
Included Software	Camera Management Tool RM-Lite Proxy Authentication Admin Tools/Admin Viewer
Language	German / English / Spanish / French / Italian / Russian / Turkish / Chinese (Simplified) / Japanese

INTERFACE	
Network Terminal	LAN x 1 (RJ45, 100Base-TX (auto / full-duplex / half-duplex))
Audio Input Terminal (common for LINE IN & MIC IN)	Φ3.5 mm (Φ0.14 in.) mini-jack connector (monaural) Switch LINE IN / MIC IN in the setting page. LINE IN x 1 (connect to an amplifier microphone) or MIC IN x 1 (connect to a microphone w/o amplifier)
Audio Output Terminal (LINE OUT)	Φ3.5 mm (Φ0.14 in.) mini-jack connector (monaural) LINE OUT x 1 (connect to an amplifier speaker)
External Device I/O Terminal	Input x 2, Output x 2
Memory Card	SD Memory Card, SDHC Memory Card, SDXC Memory Card Compatible. Frame Rate: Max. 1 fps (JPEG) Max. 30 fps (H.264)

OTHER	
Operating Environment	Temperature: -10°C – +50°C (+14°F – +122°F) Humidity: 5% – 85% (without condensation)
Power Supply	PoE: PoE power supply via LAN connector (IEEE802.3af compliant) AC Adapter: PA-V17 or PA-V18 (100 – 240 V AC) (sold separately) External power source: 24 V AC/12 V DC
Power Consumption	When using PoE: Max. approx. 9.2 W* When using AC Adapter PA-V17: Max. approx. 10.7 W (100 V AC) / Max. approx. 10.0 W (240 V AC) When using AC Adapter PA-V18: Max. approx. 9.9 W (100 V AC) / Max. approx. 9.4 W (240 V AC) When using DC: Max. approx. 8.6 W When using AC: Max. approx. 8.8 W * Class 0 power sourcing equipment (requests 15.4 W)
Dimensions	(Φ x H) Φ132 x 155 mm (Φ5.20 x 6.10 in.) – Camera only (height when camera is placed horizontally, excluding Ceiling Bracket)
Weight	Approx. 1140 g (2.52 lb.)

All data is based on Canon standard testing methods except where indicated. Subject to change without notice.
™ and ®: All company and / or product names are trademarks and / or registered trademarks of their respective manufacturers in their markets and / or countries.

Dimensions



Connectivity



- Network Interface** RJ45, 100Base-TX (Auto / Full-duplex / Half-duplex)
- Power Connection Terminal** 12V DC / 24V AC
- Audio Input** 3.5 mm mono mini-jack
- Audio Output** 3.5 mm mono mini-jack
- External Device I/O** 2 x Inputs / 2 x Outputs
- Memory Card Slot** SD, SDHC and SDXC Memory Card compatible

Keep every angle covered

VB-H43/B



The VB-H43 Full HD PTZ IP security camera combines a powerful 240x zoom, low-light capability and fast auto-focus. Flexible installation options for indoor and outdoor use.

Sales Start Date: December 2014

Product Details:

Product Name	Mercury Code	EAN Code	Recommended Retail Price
Network Camera VB-H43	9902B001AA	4549292025569	<Please fill in RRP>
Network Camera VB-H43B	9902B002AA	4549292025583	<Please fill in RRP>

Optional Accessories:

Product Name	Mercury Code	EAN Code	Recommended Retail Price
AC Adapter PA-V18 (E)	8362B002AA	4960999986791	<Please fill in RRP>
AC Adapter PA-V17 (GB)	2245B003AA	8714574559469	<Please fill in RRP>
Indoor Dome Housing (DR41-C-VB)	6816B001AA	4960999914558	<Please fill in RRP>
Indoor Dome Housing (DR41-S-VB)	6816B002AA	4960999914565	<Please fill in RRP>
Ceiling Mount Cover (SS40-S-VB)	4962B001AA	4960999686721	<Please fill in RRP>
Ceiling Mount Cover (SS40-B-VB)	4962B002AA	4960999688794	<Please fill in RRP>
Pendant Mounting Kit (PC600-VB)	9918B001AA	4549292022551	<Please fill in RRP>

Measurement / Logistic Information:

Product Name	Mercury code	Pack type	Pack description	Quantity per pack	Length (mm)	Width (mm)	Height (mm)	Net Weight (Kg)	Gross Weight (Kg)
Network Camera VB-H43	9902B001AA 9902B002AA	EA	Each	1	228	186	209	Approx. 1.14	Approx. 1.61
Network Camera VB-H43B		CT	Carton	4	440	394	268	Approx. 4.56	Approx. 7.30
		EP	Euro Pallet	—	—	—	—	—	—

What's in the box?

- VB-H43 Main Unit
- Power Connector
- Setup CD-ROM
- Installation Guide
- Warranty Card
- Notice