

Accessory Specifications

VB-S30D

VB-S31D

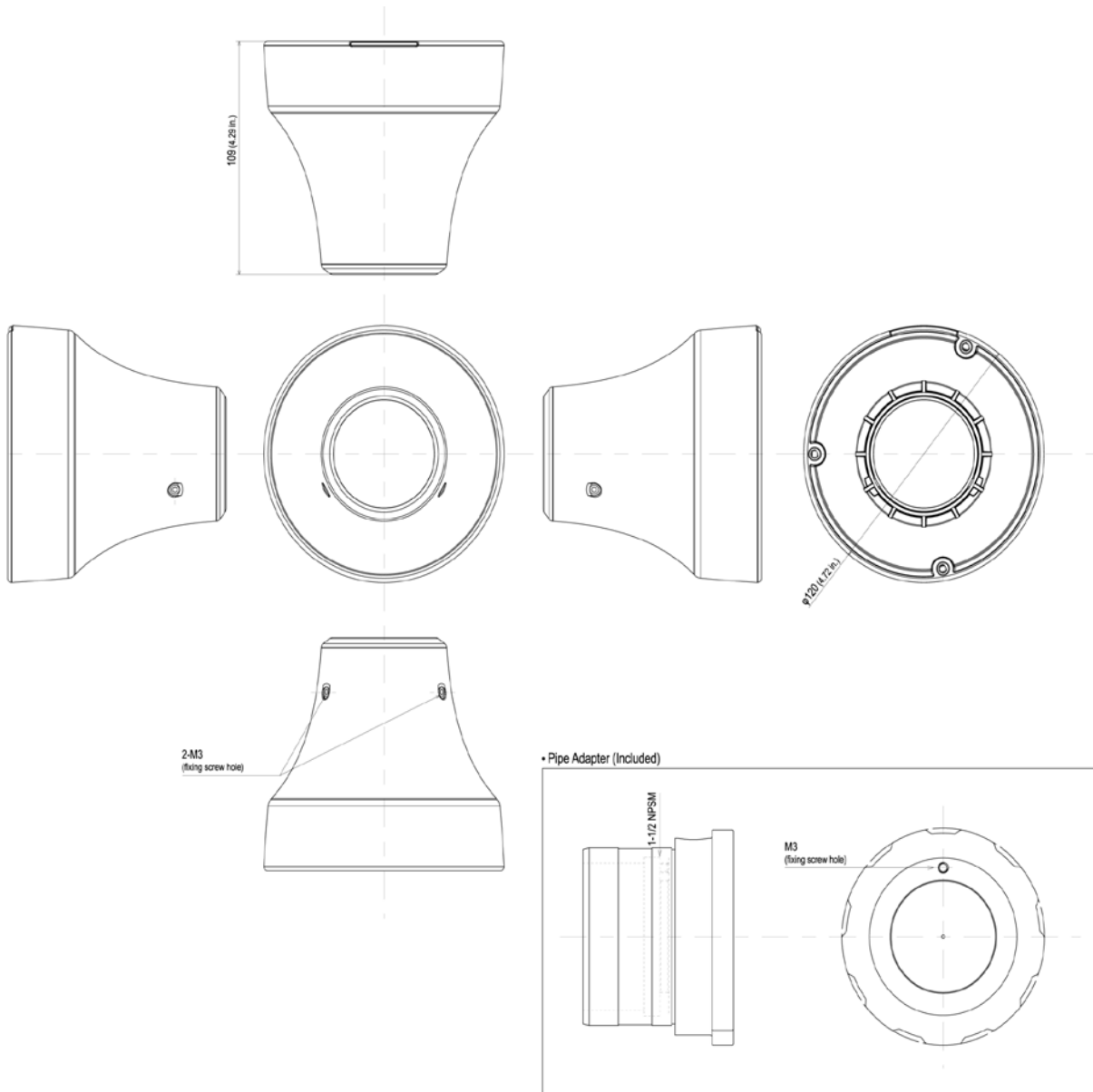
VB-S800D

VB-S805D

Pendant Mounting Kit

(PC30-VB)

Dedicated accessory for high ceilings requiring the camera to be installed at the end of a drop pipe.



Accessory Specifications

VB-S30D

VB-S31D

VB-S800D

VB-S805D

Pendant Mounting Kit

(PC30-VB)

Specification

Dimensions	(ϕ x H) ϕ 120 x 109 mm (ϕ 4.72 x 4.29 in.)	
Weight	Approx. 250 g (8.9 oz.)	
Operating Environment	Temperature	Same as camera
	Humidity	Same as camera
Storage Environment	Temperature	Same as camera
	Humidity	Same as camera

Exterior Materials

Component Name	Material Abbreviation
(1) CAP (S)	Polycarbonate resin (PC-G10%)
(2) Pipe Adapter	Die cast aluminum (ADC12)

– Service parts names used for component names

Accessory Specifications

VB-S30D

VB-S31D

VB-S800D

VB-S805D

Pendant Mounting Kit

(PC30-VB)