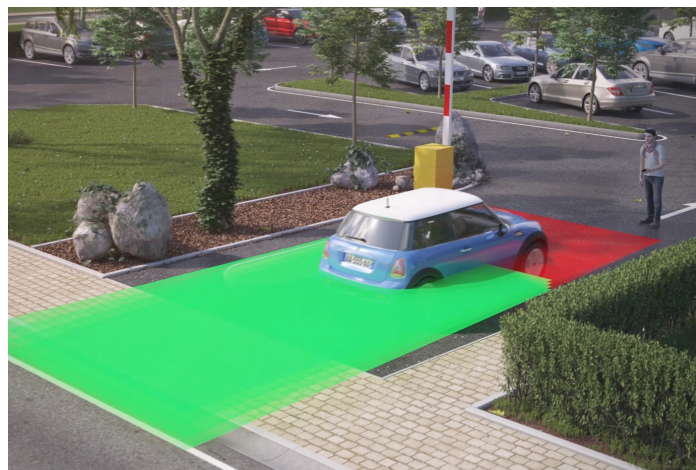


# LZR<sup>®</sup>-H100

## LASER SCANNER FOR GATE & BARRIER APPLICATIONS



### PRIMARY APPLICATIONS



### DESCRIPTION

BEA's LZR-H100 is a laser-based time-of-flight sensor designed for gate and barrier applications.

This solution provides four laser-based curtains, offering a three dimensional detection zone for accurate object detection. Its detection curtains are highly-configurable and can be set up for activation and presence detection in vehicle sensing applications.

The LZR-H100 is an effective alternative to induction loops and is housed in a NEMA 4 rated enclosure, further ensuring its performance in outdoor environments.

### FEATURES & BENEFITS

- Two relays allow for activation via motion or presence
- Ideal for applications where cutting ground for loops is prohibited, impossible or expensive
- True presence-based detection which ensures accurate and immediate activation
- Ability to detect vehicle trajectory during approach and departure
- Ability to detect or ignore pedestrian traffic
- Maximum detection field of 9.6 m x 9.6 m (32 ft x 32 ft)
- Teach-in setup via walk path or remote control configuration

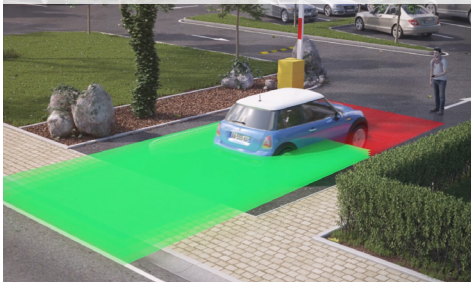


BEA, Inc.  
RIDC Park West  
100 Enterprise Drive  
Pittsburgh, PA 15275-1213

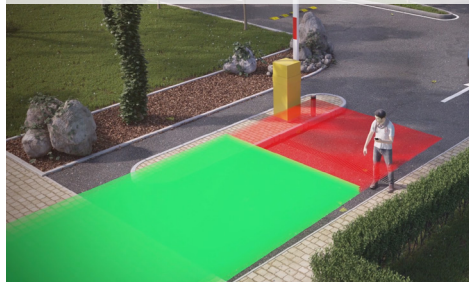
Customer Service: 800.523.2462  
Technical Support: 800.407.4545  
www.BEAinc.com

## APPLICATIONS

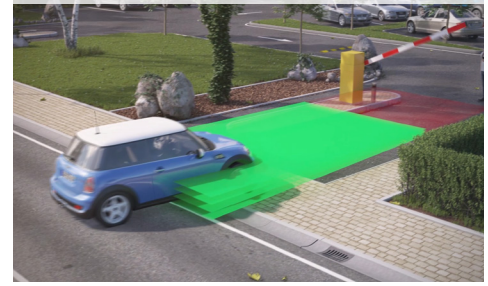
### GATE & BARRIER PRESENCE DETECTION



### PEDESTRIAN PRESENCE DETECTION



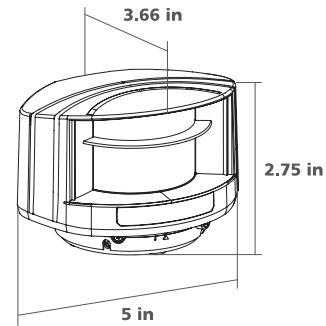
### GATE & BARRIER ACTIVATION



## TECHNICAL SPECIFICATIONS

<b>Technology</b>	LASER scanner, Time-of-Flight measurement
<b>Detection Mode</b>	Motion & Presence
<b>Max. Detection Range</b>	9.6 m x 9.6 m (32 ft x 32 ft)
<b>Remission Factor</b>	> 2%
<b>Angular Resolution</b>	0.3516°
<b>Emission Characteristics</b>	
IR LASER	Wavelength 905 nm; max. output pulse power 75 W (CLASS 1)
Red Visible LASER	Wavelength 650 nm; max. output CW power 3 mW (CLASS 3R)
<b>Supply Voltage</b>	10 – 35 VDC @ Sensor Terminal
<b>Peak Current at Power-On</b>	1.8 A (Max. 80 ms @ 35 V)
<b>Power Consumption</b>	< 5 W
<b>Response Time</b>	Min 20 ms; Max 80 ms
<b>Output</b>	2 electronic relays (galvanic isolated – polarity free)
Max. Switching Voltage	35 VDC / 24 VAC
Max. Switching Current	80 mA (resistive)
<b>LED-Signal</b>	1 Blue LED: Status « Power-on » 1 Orange LED: Status « Error » 2 Red/Green LEDs: Status « Detection/Output »
<b>Dimensions</b>	3 5/8" x 2 3/4" x 5" (W x H x D) mounting bracket: + 1/2"
<b>Cable Length</b>	33'
<b>Material</b>	PC / ASA
<b>Color</b>	Black
<b>Rotation Angle on Bracket</b>	-5 – 5° (lockable)
<b>Tilt Angle on Bracket</b>	-3 – 3°
<b>Degree of Protection</b>	NEMA 4 / IP65
<b>Temperature Range</b>	-22 °F – 140 °F if powered (-30 °C – 60 °C if powered); 14 °F – 140 °F unpowered (-10 °C – 60 °C unpowered)
<b>Humidity</b>	0 – 95% non-condensing
<b>Vibrations</b>	< 2 G
<b>Pollution on Front Screens</b>	Max. 30%; Homogenous
<b>Norm Conformance</b>	IEC 61000-6-2; IEC 61000-6-3; IEC 60950-1; IEC 60825-1 ISO 13849-1 (PI "d" CAT 2); IEC 62061 (SIL 2); IEC 61496-1 (Type 2)

## DIMENSIONAL DRAWINGS



## RELATED PRODUCTS



**10LZRH100**  
LZR-H100  
SENSOR



**10BR3X**  
BR3-X  
LOGIC MODULE



**10PS12-24**  
110-1224 VDC  
POWER SUPPLY



**10LBA**  
LZR MOUNTING  
BRACKET ACCESSORY



**10MINIBRACKET**  
6 IN – 12 IN  
EXTENSION BRACKET



**10REMOTE**  
BEA UNIVERSAL  
REMOTE CONTROL  
\*REMOTE IS REQUIRED



**10LIGHT-XX**  
LED SIGNAL  
MODULAR LIGHT  
SERIES



**10PSMDR2024**  
100 – 240 VAC,  
24 VDC POWER

www.BEAinc.com

© 2018 BEA, Inc. All rights reserved.

LZR®-H100

LASER SCANNER FOR GATE & BARRIER APPLICATIONS

BEA, Inc.  
RIDC Park West  
100 Enterprise Drive  
Pittsburgh, PA 15275-1213

Customer Service: 800.523.2462  
Technical Support: 800.407.4545



79.0551.01 20181231