

MIC Mounting Brackets and Other Accessories

www.boschsecurity.com



BOSCH

Invented for life



- ▶ Full range of mounting brackets and other accessories.
- ▶ Designed to integrate seamlessly with the MIC family.
- ▶ Provides a best-fit solution for virtually any application.
- ▶ Easy to use and install.
- ▶ Accessories extend functionality.

Bosch Security Systems offers a range of mounting brackets and accessory products for the MIC family of cameras. The mounting brackets (for corner, wall, and pole mounting) are available in the standard colors of the MIC family, including stainless steel. (Not all colors of mounting brackets are available for all models of MIC cameras.) The accessories have been designed to work seamlessly with MIC cameras to extend their functionality for your application. This datasheet provides an overview of the available MIC accessories.

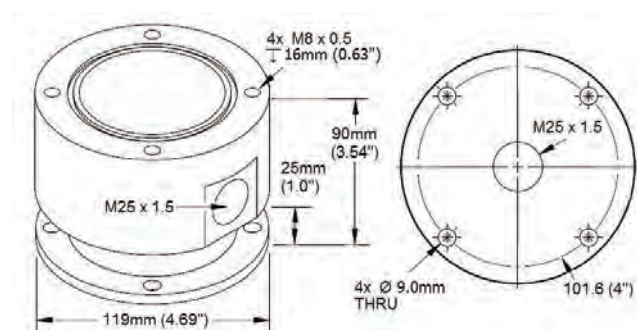
System overview

Mounting Accessories

Deep Conduit Adapter

The MIC Deep Conduit Adapter (MIC-DCA) is designed to allow a weatherproof conduit or cable gland to be fitted to protect the signal cables. Manufactured from either solid aluminum or stainless steel, the MIC-DCA has two M25 holes, one in the base and one in the side.

An O-ring seals the camera-to-mount interface to an ingress rating of IP68.



Supplied hardware includes:

- Four (4) M8 x 20 stainless steel hex bolts
- Four (4) M8 stainless steel plain washers
- One (1) O-ring, 80 mm x 3 mm
- One (1) end cap/blanking plug, M25 x 1.5, with O-ring

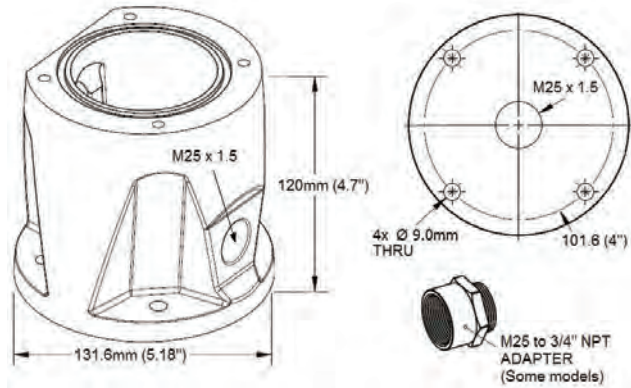
Deep Conduit Adapter, Hinged

The MIC Hinged DCA (MIC-DCA-Hx) is deeper than the conventional DCA and provides a convenient mounting point for a MIC7000 camera. Manufactured from solid aluminum, the MIC-DCA-Hx has two M25 holes, one in the base and one in the side, and (in specific regions) includes a conduit adapter (male M25 to female 3/4" NPT).

The hinge feature allows installers to “hang” the MIC7000 camera temporarily during installation for easier connection of cables/wiring before final bolts are installed.

Although the hinge feature is only available when used with a MIC7000 camera, this DCA is otherwise compatible with MIC analog cameras also.

An O-ring seals the camera-to-mount interface to an ingress rating of IP68.



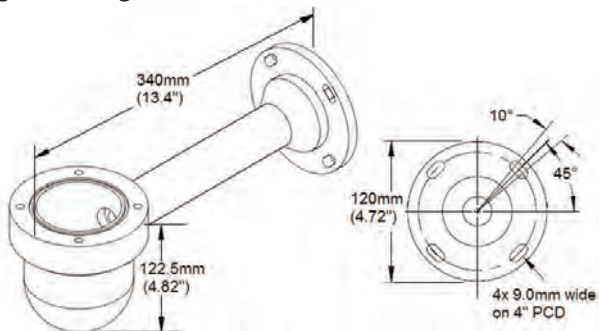
Supplied hardware includes:

- Four (4) M8 x 20 stainless steel plain hex bolts
- Four (4) M8 stainless steel plain washers
- One (1) O-ring, 80 mm x 3 mm
- One (1) end cap/blanking plug, M25 x 1.5, with O-ring
- One (1) conduit adapter (male M25 to female 3/4" NPT)

Wall Mount Bracket

The MIC Wall Mount Bracket (MIC-WMB) allows mounting on building walls. It is also used with a MIC Pole Mount Bracket (MIC-PMB) and a MIC Shallow Conduit Adapter (MIC-SCA) to allow mounting on lamp posts, scaffolding, and other nonstandard mounting posts. The MIC-WMB is manufactured from either aluminum or stainless steel. It has a deep bowl to accommodate the signal cable connections.

An O-ring seals the camera-to-mount interface to an ingress rating of IP68.

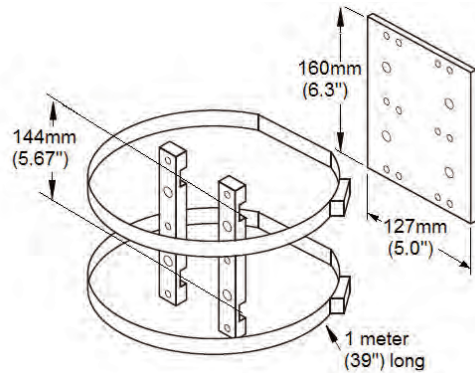


Supplied hardware includes:

- Four (4) M8 x 20 stainless steel hex bolts
- Four (4) M8 stainless steel plain washers
- One (1) O-ring, 80 mm x 3 mm

Pole Mount Bracket

The MIC Pole Mount Bracket (MIC-PMB) is designed to work with a MIC Shallow Conduit Adapter (MIC-SCA) and a MIC Wall Mount Bracket (MIC-WMB) to allow a MIC camera to be mounted on a lamp post, scaffolding, and other nonstandard mounting post with a wide range of diameters. The MIC-PMB is manufactured from clear anodized aluminum.

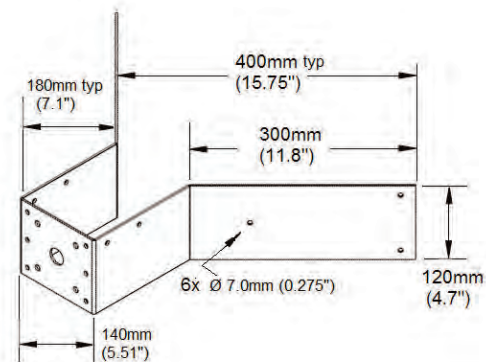


Supplied hardware includes:

- Four (4) M8 x 30 stainless steel cap head bolts
- Six (6) M6 x 20 stainless steel countersunk head bolts
- Two (2) high-torque stainless steel worm drive clips (banding straps), 1 m long
- Two (2) pole mount blocks
- One (1) mounting plate

Corner Mount Bracket

The MIC Corner Mount Bracket (MIC-CMB) is designed to work with a MIC Shallow Conduit Adapter (MIC-SCA) and a MIC Wall Mount Bracket (MIC-WMB) to allow a MIC camera to be mounted on the corner of a building. The MIC-CMB is manufactured from either aluminum or stainless steel.



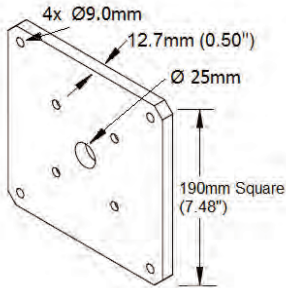
Supplied hardware includes:

- Four (4) M8 x 25 stainless steel hex bolts
- Four (4) M8 stainless steel plain washers
- Four (4) M8 stainless steel nuts

Spreader Plate

The MIC Spreader Plate (MIC-SPR) is used to spread the weight of a MIC camera and its supporting brackets so that the camera can be mounted securely

to a flat masonry surface. The MIC-SPR is manufactured from either aluminum plate or stainless steel.



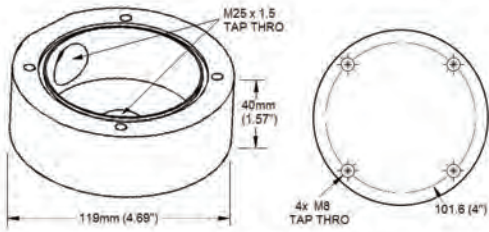
Supplied hardware includes:

- Four (4) M8 x 30 stainless steel cap head bolts
- Four (4) M8 stainless steel plain washers
- Four (4) M8 stainless steel nuts

Shallow Conduit Adapter

The MIC Shallow Conduit Adapter (MIC-SCA) is used as required with other mounting brackets. The MIC-SCA has a single M25 side entry conduit fitting hole. There is not sufficient room inside to allow the camera to be mounted to it directly. (Use a MIC-DCA instead.) The MIC-SCA is machined from either aluminum or stainless steel.

An O-ring seals the camera-to-mount interface to an ingress rating of IP68.



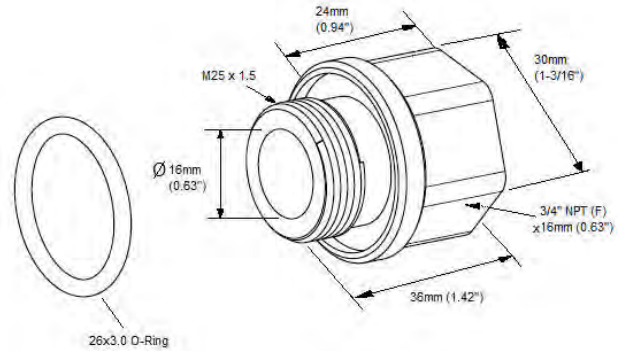
Supplied hardware includes:

- Four (4) M8 x 20 stainless steel hex bolts
- Four (4) M8 stainless steel plain washers
- One (1) O-ring, 80 mm x 3 mm
- One (1) end cap/blanking plug, M25 x 1.5, with O-ring

Other Hardware Accessories

MIC-M25XNPT34 Thread Adapter

The MIC-M25XNPT34 conduit adapter (male M25 to female 3/4" NPT) allows attachment of 3/4" NPT conduit that is popular in the North American region to MIC-DCA and MIC-SCA mounts that have M25x1.5 threaded holes. This adapter is included with the following DCA models: MIC-DCA-HBA, MIC-DCA-HWA, and MIC-DCA-HGA. The adapter is manufactured from 316 stainless steel and includes a silicone O-ring that seals the adapter to the DCA to an ingress rating of IP68.

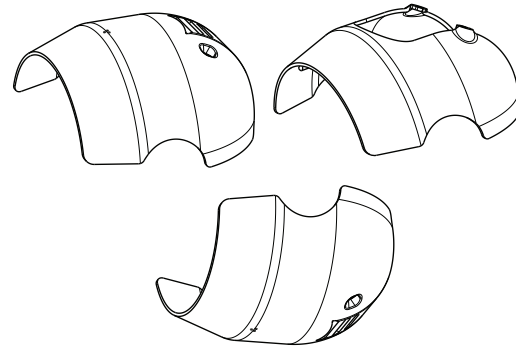


Sunshield Kits

Sunshield Kits are available for MIC440 cameras, MIC412 or MIC612 cameras, and MIC7000 cameras. Each kit is designed to provide additional protection for the camera from direct solar radiation, particularly in sunny climates, by reflecting solar exposure, and by creating an insulating gap between the environment and the surface of the camera.

Sunshield Kit for MIC7000 cameras

The Sunshield Kit for MIC7000 cameras (MIC-67SUNSHLD) includes three (3) white, molded parts: a bottom shell, one top shell for a camera without an illuminator accessory, and one top shell for a camera with an illuminator accessory.

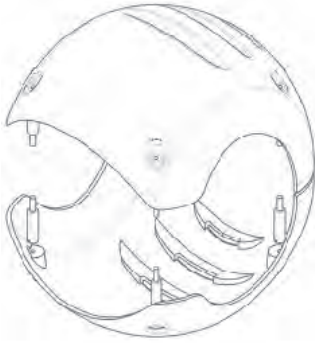


Supplied hardware includes:

- Two (2) M4 x 14 stainless steel socket head Torx screws
- Four (4) M4 x 8 stainless steel socket head Torx screws
- Four (4) M4 stainless steel flat washers

Sunshield Kit for MIC612 and MIC412 cameras

The Sunshield Kit for MIC thermal cameras (MICTHERSUNSHLD) includes two (2) white, molded shells.

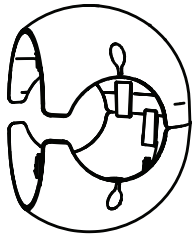


Supplied hardware includes:

- Eight (8) 25 mm knurled stand-offs, M4 x 12 (external), M3 x 15 (internal) for MIC612)
- Eight (8) 28 mm smooth stand-offs, M4 x 12 (external), M3 x 15 (internal) (for MIC412)
- Eight (8) M3 x 10 stainless steel hex bolts
- Eight (8) M3 stainless steel plain washers

Sunshield Kit for MIC440 cameras

The Sunshield Kit for MIC440 cameras (MIC440SUNSHIELD) includes two (2) white, molded shells.

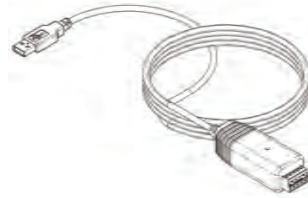


Supplied hardware includes:

- Four (4) M6 x 12 stainless steel socket head screws

USB to RS-485 Converter

The MIC USB to RS-485 signal converter (MICUSB485CVTR2) is a compact unit that communicates from a PC's USB port directly to a MIC analog camera via the telemetry connector in MIC power supplies. The converter allows connection between MIC analog cameras and either Bosch's Configuration Tool for Imaging Devices (CTFID) software (for MIC550, MIC550IR, MIC612) or Bosch Universal Camera Setup software (Camset) (for MIC models 400AL, 400IR, 400ST, 412, 440, and 500). Each software application provides full control of all camera setup and operation functions. The converter and Camset software are supplied with MIC440 and MIC400ST. The converter is an available accessory for analog models MIC550, MIC550IR, MIC612, and later; CTFID is available for download from www.boschsecurity.com.



Biphase Converters

The MIC Biphase converter cards allow up to eight MIC cameras to be interfaced with Bosch Biphase compatible equipment. The card translates Bosch Biphase protocol to RS-485, half duplex telemetry signals. It also allows the camera address to be set through its integrated DIP switch selector.

The **MIC-BP3** has its own enclosure (rated IP65) with its own power supply, which enables it to be used by MIC power supplies that do not have an available expansion slot.

The **MIC-BP4** is a plug-in card that fits into an available expansion slot within a non-infrared MIC power supply unit.

Alarm and Washer Pump Drive Card

The 8 Input Alarm Card (MIC-ALM) is designed to work with a MIC power supply with a free expansion slot. The MIC-ALM provides MIC cameras with eight alarm inputs, a washer pump drive function with test/pump priming capability and two additional relays, which can be configured to operate external equipment when an alarm signal is received. The card is compatible with non-infrared MIC power supply units. (The card cannot be used with a MIC IR power supply.)

Washer Kits

The MIC washer kits (MIC-WKT, MIC-WKT-IR) provide the necessary components to allow connection of a washer pump and water reservoir tank to a MIC camera, and control via the camera telemetry.

Supplied hardware includes:

- One (1) washer jet nozzle
- Two (2) mounting brackets for the washer jet nozzle

The MIC-WKT kit also includes a washer pump drive card (MIC-WSH), which fits into an empty expansion slot of the non-IR MIC power supply units and provides electrical connections, a washer pump relay, and a Push to Test / pump prime function.

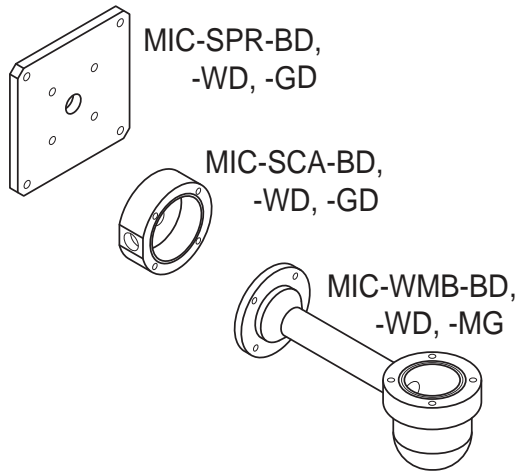
Note: The washer pump drive function is built-in to the MIC infrared (IR) power supply units.

Replacement Wiper Blades

The model MIC-RWB is a pivoting, metal-backed rubber wiper blade (36 mm x 13 mm x 3.5 mm) for MIC400 cameras. Models MIC-412-RWAB (black) and MIC-412-RWAC (silver) are completely anodized aluminum wiper arms with a fixed long-life silicone wiper blade and associated hardware.

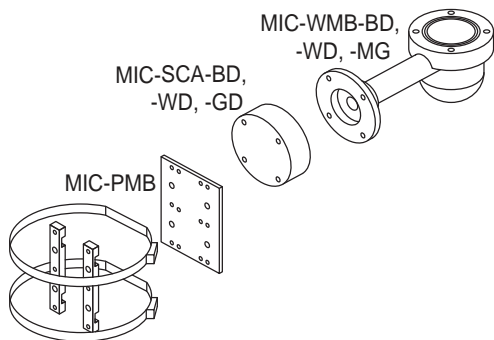
Installation/configuration notes

Typical Mounting Arrangement – Wall mount



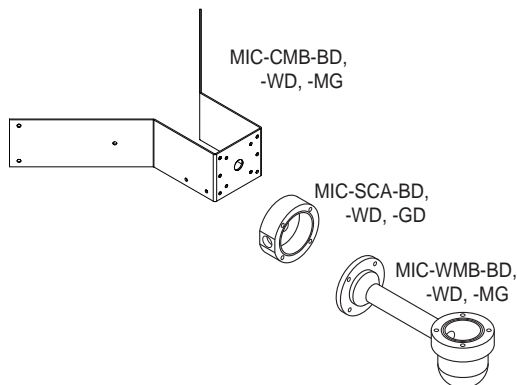
Typical Wall mount configuration
Not shown: Mounting hardware.

Typical Mounting Arrangement – Pole mount



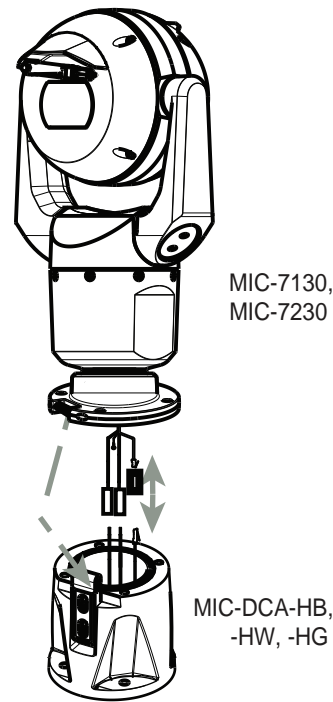
Typical Pole mount configuration
Not shown: Mounting hardware.

Typical Mounting Arrangement – Corner mount



Typical Corner mount configuration
Not shown: Mounting hardware.

Typical Mounting Arrangement – hinged DCA



Typical hinged DCA mount configuration

Technical specifications

MIC Deep Conduit Adapter

Dimensions (H x D)	90 x 120 mm (3.5 x 4.7 in.)	
Weight	Aluminum: 1.45 kg (3 lb) Stainless Steel: 4.14 kg (9 lb)	
Material	Stainless Steel or solid aluminum with painted polyester finish as below:	
	MIC-DCA	Black (RAL 9005) , leatherette finish
	MIC-DCA-W	White (RAL 9003) , leatherette finish
	MIC-DCA-S	Stainless Steel, plain finish
	MIC-DCA-BD	Black (RAL 9005) , sand finish
	MIC-DCA-WD	White (RAL 9010) , sand finish
	MIC-DCA-GD	Grey (RAL 9006) , sand finish

MIC Hinged DCA

Dimensions (H x W)	120 x 131.6 mm (4.7 x 5.18 in.)	
Weight	2.5 kg (5.5 lb)	
Material	solid aluminum with painted polyester finish as below:	
	MIC-DCA-HB	Black (RAL 9005) , sand finish
	MIC-DCA-HW	White (RAL 9010) , sand finish
	MIC-DCA-HG	Grey (RAL 7001) , sand finish (Available in specific regions only.)

	MIC-DCA-HBA	Black (RAL 9005), sand finish (Available in specific regions only.)
	MIC-DCA-HWA	White (RAL 9010), sand finish (Available in specific regions only.)
	MIC-DCA-HGA	Grey (RAL 7001), sand finish (Available in specific regions only.)

MIC Wall Mount Bracket

Dimensions (W x H x D)	340 x 124 x 120 mm (13 x 5 x 4.7 in.)	
Weight	Aluminum: 1.95 kg (4.5 lb) Stainless Steel: 5.4 kg (13.5 lb)	
Material	Stainless Steel or solid aluminum with painted polyester finish as below:	
	MIC-WMB-B	Black (RAL 9005), leatherette finish
	MIC-WMB-W	White (RAL 9003), leatherette finish
	MIC-WMB-S	Stainless Steel, plain finish
	MIC-WMB-BD	Black (RAL 9005), sand finish
	MIC-WMB-WD	White (RAL 9010), sand finish
	MIC-WMB-GD	Grey (RAL 9006), sand finish
	MIC-WMB-MG	Grey (RAL 7001), sand finish (Available in specific regions only.)

MIC Corner Mount Bracket (MIC-CMB)

Dimensions (W x H x D)	564 x 120 x 394 mm (23 x 4.7 x 15.5 in.)	
Weight	2.9 kg (6.5 lb)	
Material	Stainless Steel or solid aluminum with painted polyester finish as below:	
	MIC-CMB	Black (RAL 9005), leatherette finish
	MIC-CMB-W	White (RAL 9003), leatherette finish
	MIC-CMB-S	Stainless Steel, plain finish
	MIC-CMB-BD	Black (RAL 9005), sand finish
	MIC-CMB-WD	White (RAL 9010), sand finish
	MIC-CMB-GD	Grey (RAL 9006), sand finish
	MIC-CMB-MG	Grey (RAL 7001), sand finish (Available in specific regions only.)

MIC Pole Mount Bracket

Dimensions (W x H x D)	127 x 160 x 9.5 mm (25.375 with pole mount blocks fitted) (5 x 6 x 0.4 in.)	
Weight	1.7 kg (3.75 lb)	

Material	Mounting bracket, mounting blocks: Aluminum Banding straps: Stainless Steel
Finish color	Clear anodized

MIC Spreader Plate

Dimensions (W x H x D)	190 x 190 x 12.7 mm (7.5 x 7.5 x 0.5 in.)	
Weight	Aluminum: 1.24 kg (2.7 lb) Stainless Steel: 3.72 kg (8 lb)	
Material	Stainless Steel or solid aluminum with painted polyester finish as below:	
	MIC-SPR	Black (RAL 9005), leatherette finish
	MIC-SPR-W	White (RAL 9003), leatherette finish
	MIC-SPR-S	Stainless Steel, plain finish
	MIC-SPR-BD	Black (RAL 9005), sand finish
	MIC-SPR-WD	White (RAL 9010), sand finish
	MIC-SPR-GD	Grey (RAL 9006), sand finish
	MIC-SPR-MG	Grey (RAL 7001), sand finish (Available in specific regions only.)

MIC Shallow Conduit Adapter

Dimensions (H x D)	40 x 120 mm (1.6 x 4.7 in.)	
Weight	Aluminum: 0.78 kg (1.7 lb) Stainless Steel: 2.22 kg (4.9 lb)	
Material	Stainless Steel or solid aluminum with painted polyester finish as below:	
	MIC-SCA	Black (RAL 9005), leatherette finish
	MIC-SCA-W	White (RAL 9003), leatherette finish
	MIC-SCA-S	Stainless Steel, plain finish
	MIC-SCA-BD	Black (RAL 9005), sand finish
	MIC-SCA-WD	White (RAL 9010), sand finish
	MIC-SCA-GD	Grey (RAL 9006), sand finish
	MIC-SCA-MG	Grey (RAL 7001), sand finish (Available in specific regions only.)

MIC440SUNSHIELD

Dimensions (W x H x D)	157 x 177 x 113 mm (6 x 7 x 4.5 in.)	
Weight	0.11 kg (4 oz)	

Sunshield, MIC thermal cameras

Dimensions (W x H x D)	184 mm x 188.5 mm x 125 mm (7 x 7 x 5 in.)	
Weight	0.19 kg (7 oz)	

MIC-67SUNSHLD	
Dimensions (W x H x D)	mm x mm x mm (x x in.)
Weight	0.42 kg (14.8 oz) [all 3 pieces; only 2 pieces are installed on each camera]
MIC-USB485CVTR2	
Weight	0.29 kg (10 oz)
Max Current	100 mA
Isolation	None
Biphase converters	
Dimensions (W x H x D)	
• MIC-BP3 Enclosure	120 x 55 x 80 mm (4.7 x 2 x 3 in.)
• MIC-BP3 (Card only)	60 x 10 x 70 mm (2.4 x 0.4 x 2.8 in.)
• MIC-BP4 (Card)	
Weight	
• MIC-BP3 (card + enclosure)	0.38 g (13 oz)
• MIC-BP4	0.035 g (1 oz)
Bi-phase Specifications	Shielded 2-wire, half-duplex, multi-drop, 5000 ft cable limit requires 18 AWG wire
Cable Type	Shielded Twisted Pair (STP)
Distance	1524 m (5000 ft) Belden 8760 recommended
Transmission Rate	31.25 kHz
Gage (recommended)	1.02 mm (18 AWG)
Termination	110 Ohm
Terminal Connector	Screw terminals
Voltage	4 Vpp
MIC-ALM	
Dimensions (H x W x D)	25 x 125 x 60 mm (1 x 5 x 2.4 in.)
Weight	61 g (2 oz)
Material	PCB Card
Alarm Inputs	8 with LEDs
Relays	2; Washer Pump Drive Function with prime/test button
MIC-WKT	
Dimensions (W x H x D)	125 x 25 x 60 mm (4.92 x 0.98 x 2.36 in.)
Weight	44 g (1.5 oz)

Wiper Blades

	MIC400 cameras	MIC612 cameras	MIC440 cameras
Dimensions	67 x 15 x 9 mm (2.5 x 0.6 x 0.4 in.)	104 x 13 x 9 mm (4.1 x 0.5 x 0.4 in.)	95 x 12 x 9mm (3.7 x 0.5 x 0.4 in.)
Color			
Black	MIC-400-RWAB	MIC-412-RWAB	MIC-440-RWAB
Clear	MIC-400-RWAC	MIC-412-RWAC	MIC-440-RWAC
Stainless Steel	MIC-400-RWAS		

Not all models and/or accessories may be available in all regions and/or countries. Please contact your local Bosch representative for further details.

Ordering information

MIC-CMB Corner Mount Bracket

Corner mount bracket - black leatherette finish
RAL9005

Order number **MIC-CMB**

MIC-CMB-W Corner Mount Bracket, White

Corner mount bracket, white leatherette finish
(RAL9003)

Order number **MIC-CMB-W**

MIC-CMB-S Corner Mount Bracket, Stainless Steel

Corner mount bracket, grade 316 stainless steel
Order number **MIC-CMB-S**

MIC-CMB-BD Corner Mount Bracket, Black

Corner mount bracket, black sand finish (RAL9005)
Order number **MIC-CMB-BD**

MIC-CMB-WD Corner Mount Bracket, White

Corner mount bracket, white sand finish (RAL9010)
Order number **MIC-CMB-WD**

MIC-CMB-GD Corner Mount Bracket, Grey

Corner mount bracket, grey sand finish (RAL 9006)
Order number **MIC-CMB-GD**

MIC-CMB-MG Corner Mount Bracket, Grey

Corner mount bracket.
Grey (RAL 7001). Available in specific regions only.
Sand finish.
Order number **MIC-CMB_MG**

MIC-WMB-B Wall Mount Bracket, Black

Wall mount bracket, black leatherette finish (RAL9005)
Order number **MIC-WMB-B**

MIC-WMB-W Wall Mount Bracket, White

Wall mount bracket, white leatherette finish (RAL9003)

Order number **MIC-WMB-W**

MIC-WMB-S Wall Mount Bracket, Stainless Steel

Wall mount bracket, grade 316 stainless steel (Requires MIC-SPR or MIC-PMB for secure mounting because of weight.)

Order number **MIC-WMB-S**

MIC-WMB-BD Wall Mount Bracket, Black

Wall mount bracket, black sand finish (RAL9005)

Order number **MIC-WMB-BD**

MIC-WMB-WD Wall Mount Bracket, White

Wall mount bracket, white sand finish (RAL9010)

Order number **MIC-WMB-WD**

MIC-WMB-GD Wall Mount Bracket, Grey

Wall mount bracket, grey sand finish (RAL9006)

Order number **MIC-WMB-GD**

MIC-WMB-MG Wall Mount Bracket, Grey

Wall Mount Bracket.

Grey (RAL 7001). Available in specific regions only. Sand finish.

Order number **MIC-WMB-MG**

MIC-PMB Pole Mount Bracket

Pole mount bracket (includes 2 x 455 mm stainless steel banding straps for pole diameters 75 to 145 mm)

Order number **MIC-PMB**

MIC-SPR Spreader Plate

Aluminum spreader plate suitable for brickwork surface mounting – black leatherette finish RAL9005

Order number **MIC-SPR**

MIC-SPR-W Spreader Plate, White

Aluminum spreader plate suitable for brickwork surface mounting, white leatherette finish (RAL9003)

Order number **MIC-SPR-W**

MIC-SPR-S Spreader Plate, Stainless Steel

316L stainless steel spreader plate suitable for brickwork surface mounting, plain finish

Order number **MIC-SPR-S**

MIC-SPR-BD Spreader Plate, Black

Aluminum spreader plate suitable for brickwork surface mounting, black sand finish (RAL9005)

Order number **MIC-SPR-BD**

MIC-SPR-WD Spreader Plate, White

Aluminum spreader plate suitable for brickwork surface mounting, white sand finish (RAL9010)

Order number **MIC-SPR-WD**

MIC-SPR-GD Spreader Plate, Grey

Aluminum spreader plate suitable for brickwork surface mounting, grey sand finish (RAL 9006)

Order number **MIC-SPR-GD**

MIC-SPR-MG Spreader Plate, Grey

Aluminum spreader plate suitable for brickwork surface mounting.

Grey (RAL 7001). Available in specific regions only. Sand finish.

Order number **MIC-SPR-MG**

MIC-DCA-B Deep Conduit Adapter, Black

Deep conduit adapter for 4 in. PCD base - black leatherette finish, RAL9005

Order number **MIC-DCA**

MIC-DCA-W Deep Conduit Adapter, White

Deep conduit adapter for 4 in. PCD base - white leatherette finish RAL9003

Order number **MIC-DCA-W**

MIC-DCA-S Deep Conduit Adapter, Stainless Steel

Deep conduit adapter for 4 in. PCD base - grade 316 stainless steel, plain finish

Order number **MIC-DCA-S**

MIC-DCA-BD Deep Conduit Adapter, Black

Deep conduit adapter for 4 in. PCD base, black sand finish (RAL9005)

Order number **MIC-DCA-BD**

MIC-DCA-WD Deep Conduit Adapter, White

Deep conduit adapter for 4 in. PCD base, white sand finish (RAL9010)

Order number **MIC-DCA-WD**

MIC-DCA-GD Deep Conduit Adapter, Grey

Deep conduit adapter for 4 in. PCD base, grey sand finish (RAL 9006)

Order number **MIC-DCA-GD**

MIC-DCA-HB MIC Hinged DCA, Black

DCA mount for a MIC7000 camera. Hinge allows camera to hang temporarily during installation for easier connection of cables/wiring. Aluminum. Two M25 holes for conduit/cable glands. Black (RAL 9005). Sand finish.

Order number **MIC-DCA-HB**

MIC-DCA-HBA MIC Hinged DCA with Adapter, Black

DCA mount for a MIC7000 camera. Hinge allows camera to hang temporarily during installation for easier connection of cables/wiring. Aluminum. Two M25 holes for conduit/cable glands. Includes an conduit adapter (male M25 to female 3/4" NPT). Available in specific regions only.

Black (RAL 9005). Sand finish.

Order number **MIC-DCA-HBA**

MIC-DCA-HW MIC Hinged DCA, White

DCA mount for a MIC7000 camera. Hinge allows camera to hang temporarily during installation for easier connection of cables/wiring. Aluminum. Two M25 holes for conduit/cable glands.

White (RAL 9010). Sand finish.

Order number **MIC-DCA-HW**

MIC-DCA-HWA MIC Hinged DCA with Adapter, White

DCA mount for a MIC7000 camera. Hinge allows camera to hang temporarily during installation for easier connection of cables/wiring. Aluminum. Two M25 holes for conduit/cable glands. Includes an conduit adapter (male M25 to female 3/4" NPT). Available in specific regions only. White (RAL 9010). Sand finish. Order number **MIC-DCA-HWA**

MIC-DCA-HG MIC Hinged DCA, Grey

DCA mount for a MIC7000 camera. Hinge allows camera to hang temporarily during installation for easier connection of cables/wiring. Aluminum. Two M25 holes for conduit/cable glands. Grey (RAL 7001). Available in specific regions only. Sand finish. Order number **MIC-DCA-HG**

MIC-DCA-HGA MIC Hinged DCA with Adapter, Grey

DCA mount for a MIC7000 camera. Hinge allows camera to hang temporarily during installation for easier connection of cables/wiring. Aluminum. Two M25 holes for conduit/cable glands. Includes an conduit adapter (male M25 to female 3/4" NPT). Available in specific regions only. Grey (RAL 7001). Sand finish. Order number **MIC-DCA-HGA**

MIC-SCA-B Shallow Conduit Adapter, Black

Shallow conduit adapter for 4 in. PCD base - black, leatherette finish, RAL9005 Order number **MIC-SCA**

MIC-SCA-W Shallow Conduit Adapter, White

Shallow conduit adapter for 4 in. PCD base - white, leatherette finish, RAL9003 Order number **MIC-SCA-W**

MIC-SCA-S Shallow Conduit Adapter, Stainless Steel

Shallow conduit adapter for 4 in. PCD base - grade 316 stainless steel, plain finish Order number **MIC-SCA-S**

MIC-SCA-BD Shallow Conduit Adapter, Black

Shallow conduit adapter for a MIC-WMB, a MIC-PMB, or a MIC-SPR, black sand finish (RAL9005) Order number **MIC-SCA-BD**

MIC-SCA-WD Shallow Conduit Adapter, White

Shallow conduit adapter for a MIC-WMB, a MIC-PMB, or a MIC-SPR mount, white sand finish (RAL9010) Order number **MIC-SCA-WD**

MIC-SCA-GD Shallow Conduit Adapter, Grey

Shallow conduit adapter for a MIC-WMB, a MIC-PMB, or a MIC-SPR, grey sand finish (RAL 9006) Order number **MIC-SCA-GD**

MIC-SCA-MG Shallow Conduit Adapter, Grey

Shallow conduit adapter for a MIC-WMB, a MIC-PMB, or a MIC-SPR.

Grey (RAL 7001). Available in specific regions only. Sand finish.

Order number **MIC-SCA-MG**

MICUSB485CVTR2 USB to RS485 Signal Converter

USB to RS485 signal converter to allow MIC Series cameras to connect to a PC Order number **MICUSB485CVTR2**

MIC-BP3 Biphase Converter

Biphase converter for IR power supplies or non-IR power supplies without a free expansion slot available Order number **MIC-BP3**

MIC-BP4 Biphase Converter

Biphase converter for non-IR versions of MIC series power supply units Order number **MIC-BP4**

MIC-516ALM Alarm Card

8 Input alarm card for MIC-516KBD Order number **MIC-516ALM**

MIC-ALM Alarm and Washer Pump Drive Card

8 Input alarm and washer pump drive card for PSU (Not for IR PSU) Order number **MIC-ALM**

MIC-WKT Washer Kit

Washer kit for non-infrared MIC camera models (includes washer pump drive card, washer nozzle and mounting brackets for wall and 4 in. PCD base). Requires washer pump, purchase separately. Order number **MIC-WKT**

MIC-WKT-IR Washer Kit

Washer kit for analog infrared MIC camera models and for MIC7000 camera models only. Includes washer nozzle and mounting brackets for wall or 101.6 mm (4 in.) PCD base. Requires washer pump, purchase separately. Order number **MIC-WKT-IR**

MIC-WNB-WMB Washer Nozzle

Spare washer nozzle mounting bracket for wall bracket Order number **MIC-WNB-WMB**

MIC-RWB Replacement Wiper Blade

Replacement wiper blade (single) for MIC Series 400(AL, Stainless) cameras only Order number **MIC-RWB**

MIC-400-RWAB Replacement Wiper Assembly for MIC400, Black

Replacement silicone wiper assembly (single wiper blade and associated hardware) for MIC400 cameras; black. Order number **MIC-400-RWAB**

MIC-400-RWAC Replacement Wiper Assembly for MIC400, Silver

Replacement silicone wiper assembly (single wiper blade and associated hardware) for MIC400 cameras; silver.

Order number **MIC-400-RWAC**

MIC-400-RWAS Replacement Wiper Assembly, Stainless Steel

Replacement silicone wiper assembly (single wiper blade and associated hardware) for MIC400 cameras; stainless steel.

Order number **MIC-400-RWAS**

MIC-412-RWAB Replacement Wiper Assembly for MIC612 and MIC412, Black

Replacement silicone wiper assembly (single wiper blade and associated hardware) for MIC612 and MIC412 cameras; black.

Order number **MIC-412-RWAB**

MIC-412-RWAC Replacement Wiper Assembly for MIC612 and MIC412, Silver

Replacement silicone wiper assembly (single wiper blade and associated hardware) for MIC612 and MIC412 cameras; silver.

Order number **MIC-412-RWAC**

MIC440 Sunshield

Sunshield for the MIC440 camera.

Order number **MIC440SUNSHIELD**

MICTHERSUNSHLD

Sunshield kit for MIC Thermal Cameras, white

Order number **MICTHERSUNSHLD**

MIC-67SUNSHLD

Three-part molded sunshield for MIC7000 cameras – 1 bottom shell, 2 top shells (1 for around the optional illuminator accessory). White.

Order number **MIC-67SUNSHLD**

Accessories

MIC-M25XNPT34 Adapter, M25 to 3/4", Stainless Steel

Stainless Steel M25 to 3/4" NPT thread adapter

Order number **MIC-M25XNPT34**

Services

NOTE:

Not all models and/or accessories may be available in all regions and/or countries. Please contact your local Bosch representative for further details.

Order number

Represented by:

Americas:

Bosch Security Systems, Inc.
130 Perinton Parkway
Fairport, New York, 14450, USA
Phone: +1 800 289 0096
Fax: +1 585 223 9180
security.sales@us.bosch.com
www.boschsecurity.us

Europe, Middle East, Africa:

Bosch Security Systems B.V.
P.O. Box 80002
5617 BA Eindhoven, The Netherlands
Phone: + 31 40 2577 284
Fax: +31 40 2577 330
emea.securitysystems@bosch.com
www.boschsecurity.com

Asia-Pacific:

Robert Bosch (SEA) Pte Ltd, Security
Systems
11 Bishan Street 21
Singapore 573943
Phone: +65 6571 2808
Fax: +65 6571 2699
apr.securitysystems@bosch.com
www.boschsecurity.asia

China:

Bosch (Shanghai) Security Systems Ltd.
203 Building, No. 333 Fuquan Road
North IBP
Changning District, Shanghai
200335 China
Phone +86 21 22181111
Fax: +86 21 22182398
www.boschsecurity.com.cn

America Latina:

Robert Bosch Ltda Security Systems Division
Via Anhanguera, Km 98
CEP 13065-900
Campinas, Sao Paulo, Brazil
Phone: +55 19 2103 2860
Fax: +55 19 2103 2862
latam.boschsecurity@bosch.com
www.boschsecurity.com