

# NDA-U-PMTG Pendant pipe mount, gang box

www.boschsecurity.com



**BOSCH**

Invented for life



- ▶ Compatible with double gang box
- ▶ Modular design for fast and easy installation
- ▶ One accessory line for multiple camera families from Bosch
- ▶ Weather resistant finish to maintain cosmetic appearance

The modular camera mounts & accessories are a family of mounts, mounting adapters, pendant interface plates and surveillance cabinets which can be used with a wide range of Bosch cameras. The accessories are easy to install and can be combined to simplify installation in multiple locations while retaining the same look and feel.

## Functions

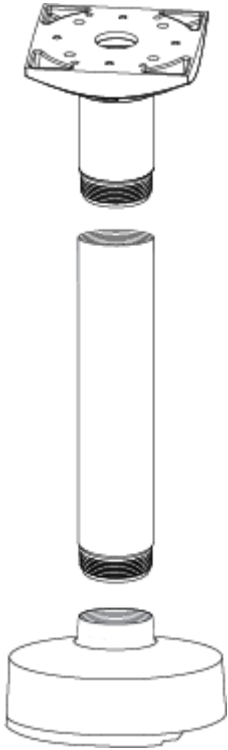
### Pendant pipe mount

The pendant pipe mount allows multiple installation scenarios of dome cameras, including installation in ceilings or onto electrical box, buried in the ceiling used as a junction box. With the replacement of the original back plate with a double gang box adapter plate, the mount allows the installation onto double gang box as an option (compatible with fixed dome cameras only). For high ceilings, the length can be extended by using an extension pipe. The mount supports easy cable management or can be combined with additional surface mount box for conduit connections.

### Universal accessory combinations

It provides a safe and robust solution to mount dome cameras directly to a ceiling or it can be used in combination with:

- NDA-U-PSMB Pendant wall/ceiling mount SMB
- NDA-U-PA0/1/2 Surveillance cabinet
- NDA-U-WMP Wall mount plate



### Certifications and approvals

#### Environmental

Salt mist	IEC60068-2-52
Vibration	NEMA TS2
Shock	IEC60068-2-27
Impact	IK10

### Parts included

Quantity	Component
1	Pipe mount
4	M5 x 16 mm pan head Torx screw with Zinc coating
1	T25 Torx key
1	Thread seal tape: PTFE tape
1	Quick Installation Guide

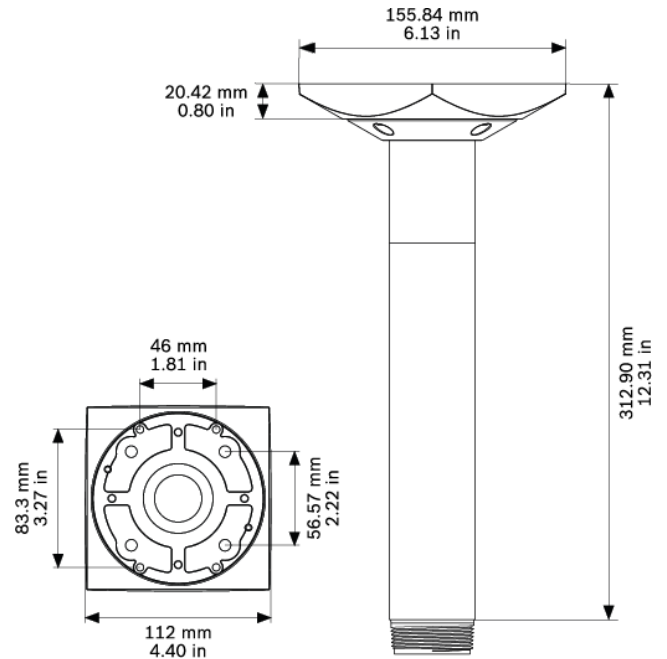
### Technical specifications

#### Mechanical

Dimensions (with mounting flange)	Φ 101.5 mm (4 in.), L = 334 mm (13.2 in.)
Weight	689 g (1.52 lb)

#### Mechanical

Standard Color	White (RAL 9003)
Construction Material	Aluminum alloy



Dimensions in mm (inch)

### Ordering information

**NDA-U-PMTG Pendant pipe mount, gang box**  
 Universal pipe mount, compatible with gang box installation for fixed dome cameras only, white  
 Order number **NDA-U-PMTG**

---

**Accessories**

**NDA-U-PMTE Pendant pipe extension, 20" (50cm)**  
Extension for universal pipe mount, 50 cm, white  
Order number **NDA-U-PMTE**

---

**NDA-U-PSMB Pendant wall/ceiling mount SMB**  
Surface mount box (SMB) for wall mount or pipe mount.  
Order number **NDA-U-PSMB**

---

**NDA-5030-PIP Pendant interface plate NDE-4/5000**  
Pendant interface plate for outdoor FLEXIDOME 4000i / 5000i.  
Order number **NDA-5030-PIP**

---

**NDA-5031-PIP Pendant interface plate NDI-4/5000**  
Pendant interface plate for indoor FLEXIDOME IP 4000i / 5000i.  
Order number **NDA-5031-PIP**

---

**NDA-7010-PIP Pendant interface plate for NIN-70112**  
Pendant interface plate for FLEXIDOME IP panoramic 7000.  
Order number **NDA-7010-PIP**

---

**NDA-8000-PIP Pendant interface plate, indoor**  
Pendant interface plate for FLEXIDOME IP 8000i, indoor.  
Order number **NDA-8000-PIP**

---

**NDA-8000-PIPW Pendant interface plate, outdoor**  
Pendant interface plate including weather protector for FLEXIDOME IP 8000i, outdoor.  
Order number **NDA-8000-PIPW**

---

**NDA-U-PA0 Surveillance cabinet 24VAC**  
Surveillance cabinet, 24 VAC input, 24 VAC output, IP66  
Order number **NDA-U-PA0**

---

**NDA-U-PA1 Surveillance cabinet 120VAC**  
Surveillance cabinet, 100 - 120 VAC 50/60 Hz input, 24 VAC output, IP66  
Order number **NDA-U-PA1**

---

**NDA-U-PA2 Surveillance cabinet 230VAC**  
Surveillance cabinet, 230 VAC input, 24 VAC output, IP66  
Order number **NDA-U-PA2**

---

**NDA-U-WMP Wall mount plate**  
Back plate for universal wall mount, corner mount and pole mount, white, IP66  
Order number **NDA-U-WMP**

---

**Represented by:**

**Europe, Middle East, Africa:**  
Bosch Security Systems B.V.  
P.O. Box 80002  
5600 JB Eindhoven, The Netherlands  
Phone: + 31 40 2577 284  
emea.securitysystems@bosch.com  
emea.boschsecurity.com

**Germany:**  
Bosch Sicherheitssysteme GmbH  
Robert-Bosch-Ring 5  
85630 Grasbrunn  
Germany  
www.boschsecurity.com

**North America:**  
Bosch Security Systems, Inc.  
130 Perinton Parkway  
Fairport, New York, 14450, USA  
Phone: +1 800 289 0096  
Fax: +1 585 223 9180  
onlinehelp@us.bosch.com  
www.boschsecurity.us

**Asia-Pacific:**  
Robert Bosch (SEA) Pte Ltd, Security Systems  
11 Bishan Street 21  
Singapore 573943  
Phone: +65 6571 2808  
Fax: +65 6571 2699  
apr.securitysystems@bosch.com  
www.boschsecurity.asia