

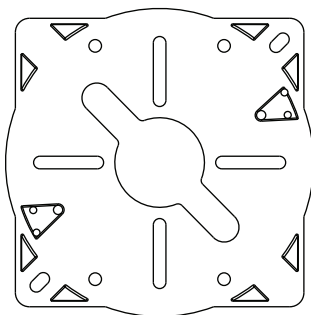
NDA-WMT4S-MICDOME Microdome 4S Mount

www.boschsecurity.com



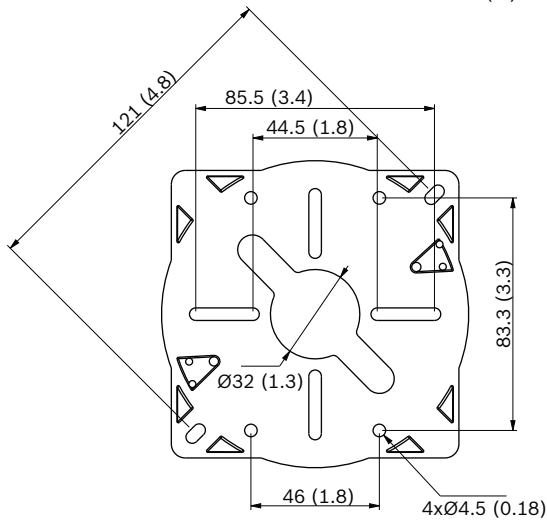
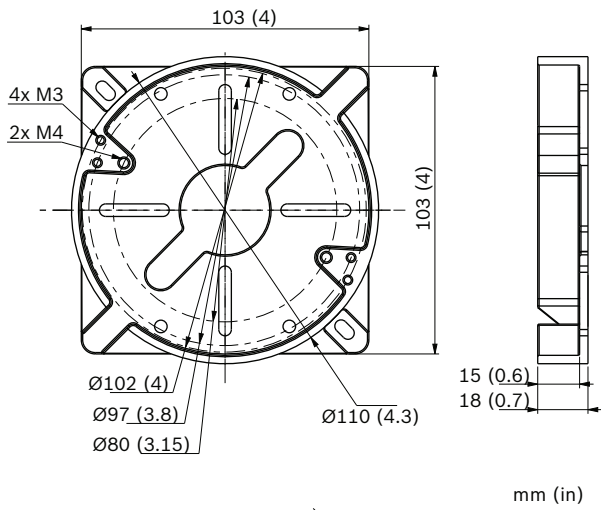
BOSCH

Invented for life



- ▶ Easy installation
- ▶ Sturdy construction

Installation/configuration notes



Parts included

The packaging contains:

Item
1x Adapter
Attachment components

Technical specifications

Construction material	Aluminum alloy
Finish	RAL 9003 signal white

Represented by:

Americas:
 Bosch Security Systems, Inc.
 130 Perinton Parkway
 Fairport, New York, 14450, USA
 Phone: +1 800 289 0096
 Fax: +1 585 223 9180
 security.sales@us.bosch.com
 www.boschsecurity.us

Europe, Middle East, Africa:
 Bosch Security Systems B.V.
 P.O. Box 80002
 5617 BA Eindhoven, The Netherlands
 Phone: + 31 40 2577 284
 Fax: +31 40 2577 330
 emea.securitysystems@bosch.com
 www.boschsecurity.com

Asia-Pacific:
 Robert Bosch (SEA) Pte Ltd, Security Systems
 11 Bishan Street 21
 Singapore 573943
 Phone: +65 6571 2808
 Fax: +65 6571 2699
 apr.securitysystems@bosch.com
 www.boschsecurity.asia

China:
 Bosch (Shanghai) Security Systems Ltd.
 203 Building, No. 333 Fuquan Road
 North IBP
 Changning District, Shanghai
 200335 China
 Phone +86 21 22181111
 Fax: +86 21 22182398
 www.boschsecurity.com.cn

America Latina:
 Robert Bosch Ltda Security Systems Division
 Via Anhanguera, Km 98
 CEP 13065-900
 Campinas, Sao Paulo, Brazil
 Phone: +55 19 2103 2860
 Fax: +55 19 2103 2862
 latam.boschsecurity@bosch.com
 www.boschsecurity.com

Ordering information

NDA-WMT4S-MICDOME Microdome 4S Mount

Sturdy wall mount bracket for microdome cameras (Ø110 mm)

Order number **NDA-WMT4S-MICDOME**