

# Security Escort Overview

www.boschsecurity.com



**BOSCH**  
Invented for life



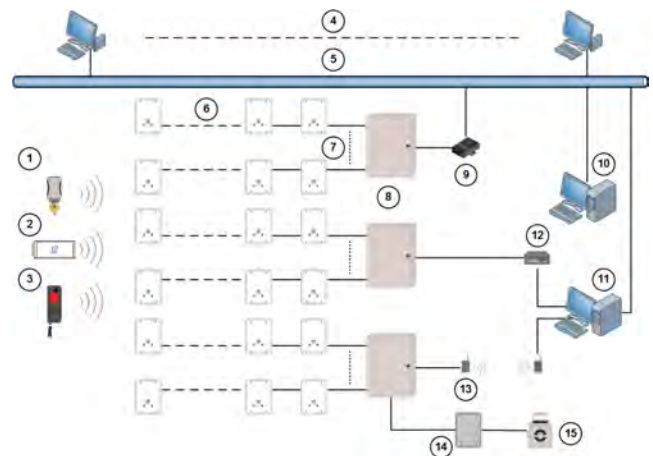
- ▶ Instant identification and location
- ▶ Superior reliability
- ▶ Limitless coverage and expansion
- ▶ Customization and integration
- ▶ Countless features

The Security Escort System is a wireless system that allows a person to signal for help during an emergency or that tracks the unauthorized movement of a person or an item.

The central console software receives the alarm signal and shows a person or item's identification, location on a map, and the direction of travel. The operator uses this information to direct personnel to the scene of the emergency.

The Security Escort System provides indoor or outdoor floor-by-floor coverage and patented testing and supervision features.

## System overview



- |                              |                                |                                   |
|------------------------------|--------------------------------|-----------------------------------|
| 1 Subscriber transmitter     | 6 Up to 8 receivers            | 11 Master workstation             |
| 2 Point tracking transmitter | 7 Up to 8 bus                  | 12 SE485 interface                |
| 3 Personnel transmitter      | 8 Transponder                  | 13 Spread spectrum wireless links |
| 4 Up to 8 workstation        | 9 Serial to Ethernet interface | 14 Alert unit                     |
| 5 LAN                        | 10 Slave workstation           | 15 Strobe                         |

During an emergency situation:

- The transmitter sends a signal identifying the person or asset to the receivers.
- The receivers forward this information to the transponder.
- The transponder forwards the information to the central console.
- The central console displays the person's or asset's name, description or pertinent information, picture, and current location on a map.
- The transmitter sends a signal every seven seconds, so that the location of the alarm is constantly updated and displayed at the central console.

### Installation/configuration notes

The Security Escort System consists of five basic components: transmitters, receivers, alert units, transponders, and the central console.

Transmitters	Miniature radio transmitters that send distress, alarm, or test signals.
Receivers	Devices placed throughout a protected area to detect the radio transmissions from transmitters. Receives alarm information and relays it to the transponder. Indoor receivers provide local sounders and visual test confirmation. Outdoor receivers have weather-resistant enclosures.
Alert Units	Output modules that activate third-party signaling devices, such as siren and strobe units, during an alarm.
Transponders	Devices that control groups of receivers and alert units connected to them. Each transponder relays alarm and test signals from the receivers to the central console. Transponders also test for device and wiring faults, and transmit problem conditions to the central console.
Central Console	A computer and an optional backup computer that receives alarm and trouble signals from the transponders. Central console software controls system operation and houses databases. It also analyzes the signals, activates strobes and sirens connected to the alert units, and shows the security dispatcher a display that includes the person's or asset's location and information during an alarm event.

### Product Overview for Security Escort

Here is a list of Security Escort products offered by Bosch Security Systems.

Product	Description
SE2005 Central Console Software	Accepts 500 subscribers (users).
SE2010 Central Console Software	Accepts 1,000 subscribers (users).
SE2050 Central Console Software	Accepts 5,000 subscribers (users).  Software for more than 5,000 subscribers available on request. Contact Bosch for details
EA500B Transponder	Device controller for up to 64 receivers and alert units.
EA102A-304 Receiver	Detects an alarm from a transmitter and sends the signal to the transponder.
EA120B Alert Unit	Activates devices such as strobe units during an alarm and reports tampering, AC power loss, and the backup battery level to the transponder.
SE2M-304 Maintenance Transmitter	A test transmitter, includes a lanyard pull.
SE2U-SN-304 User Transmitter	Includes a lanyard pull, and supervision tracking.
SE2S-SN-304 Security Transmitter	Includes a lanyard pull, supervision tracking, and silent alarm.
SE3U-304 User Transmitter	For system users (subscribers). Operates at 304 MHz.
SE3S-304 Security Transmitter	For security personnel. Includes silent alarm. Operates at 304 MHz.
SE3M-304 Maintenance Transmitter	Test transmitter, operates at 304 MHz.
SE88-30S-304 Panic Transmitter	Sends a supervisory signal every 32 seconds.
SE88-60M-304 Panic Transmitter	Sends a supervisory signal every 65 minutes.
SE3401 Point Tracking Transmitter	Includes supervision tracking.

### Technical specifications

#### Number of...

Transponders:	255 for each system
Receivers:	64 for each transponder
Alert Units:	64 for each transponder
Transmitters:	60, 000 for each system

**Represented by:**

**North America:**

Bosch Security Systems, Inc.  
130 Perinton Parkway  
Fairport, New York, 14450, USA  
Phone: +1 800 289 0096  
Fax: +1 585 223 9180  
security.sales@us.bosch.com  
www.boschsecurity.us

**Europe, Middle East, Africa:**

Bosch Security Systems B.V.  
P.O. Box 80002  
5617 BA Eindhoven, The Netherlands  
Phone: + 31 40 2577 284  
Fax: +31 40 2577 330  
emea.securitysystems@bosch.com  
www.boschsecurity.com

**Asia-Pacific:**

Robert Bosch (SEA) Pte Ltd, Security  
Systems  
11 Bishan Street 21  
Singapore 573943  
Phone: +65 6571 2808  
Fax: +65 6571 2699  
apr.securitysystems@bosch.com  
www.boschsecurity.asia

**China:**

Bosch (Shanghai) Security Systems Ltd.  
203 Building, No. 333 Fuquan Road  
North IBP  
Changning District, Shanghai  
200335 China  
Phone +86 21 22181111  
Fax: +86 21 22182398  
www.boschsecurity.com.cn

**Latin America and Caribbean:**

Robert Bosch Ltda Security Systems Division  
Via Anhanguera, Km 98  
CEP 13065-900  
Campinas, Sao Paulo, Brazil  
Phone: +55 19 2103 2860  
Fax: +55 19 2103 2862  
latam.boschsecurity@bosch.com  
www.boschsecurity.com