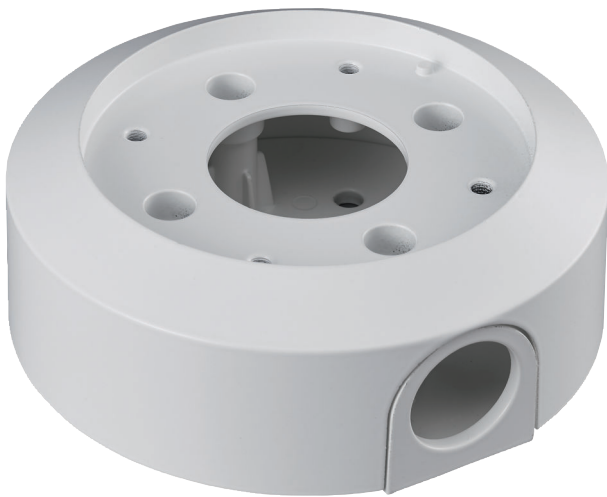


NDA-U-PSMB Pendant wall/ceiling mount SMB

www.boschsecurity.com



BOSCH
Invented for life



- ▶ Surface mount box (SMB) for pendant wall or pipe mount.
- ▶ Enables installation with a conduit (M25 or 3/4 inch)
- ▶ Modular design for fast and easy installation
- ▶ Weather resistant finish to maintain cosmetic appearance
- ▶ Vandal resistant design for indoor and outdoor use

The modular camera mounts & accessories are a family of mounts, mounting adapters, pendant interface plates and surveillance cabinets which can be used with a wide range of Bosch cameras. The accessories are easy to install and can be combined to simplify installation in multiple locations whilst retaining the same look and feel.

Functions

The pendant surface mount box enables installation of the pendant wall or pipe mount with conduits (M25 or 3/4inch).

It provides a safe and robust solution to mount cameras directly to a ceiling or it can be used in combination with:

- NDA-U-CMT Corner mount adapter
- NDA-U-PMAS Pole mount adapter small
- NDA-U-PMAL Pole mount adapter large

Certifications and approvals

Environmental

Salt mist	IEC60068-2-52
Vibration	NEMA TS2
Shock	IEC60068-2-27
Impact	IK10

Parts included

Quantity	Component
1	SMB for Pendant wall mount or Ceiling mount
4	M5 x 16 mm pan head Torx screw with Zinc coating
1	Rubber conduit plug
1	Quick Installation Guide

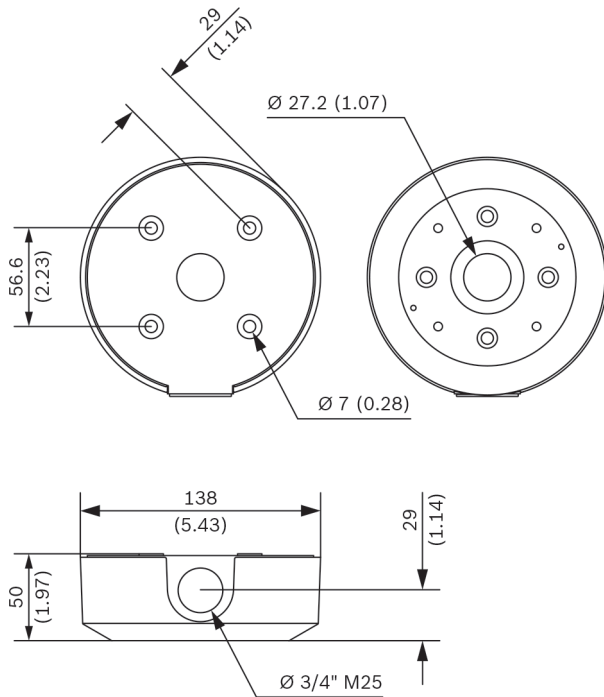
Technical specifications

Mechanical

Dimensions	Φ 138 mm (5.4 in), H = 50 mm (2.0 in)
Weight	428 g (0.94 lb)
Standard Color	White (RAL 9003)
Construction Material	Aluminum alloy

NDA-U-WMT Pendant wall mount

Universal wall mount for dome cameras, white
Order number **NDA-U-WMT**



Dimensions in mm (inch)

Ordering information

NDA-U-PSMB Pendant wall/ceiling mount SMB

Surface mount box (SMB) for wall mount or pipe mount.

Order number **NDA-U-PSMB**

Accessories

NDA-U-CMT Corner mount adapter

Universal corner mount, white

Order number **NDA-U-CMT**

NDA-U-PMAL Pole mount adapter large

Universal pole mount adapter, white; large

Order number **NDA-U-PMAL**

NDA-U-PMAS Pole mount adapter small

Pole mount adapter small

Universal pole mount adapter, white; small.

Order number **NDA-U-PMAS**

NDA-U-PMT Pendant pipe mount, 12" (31cm)

Universal pipe mount for dome cameras, 31 cm, white

Order number **NDA-U-PMT**

Represented by:

Europe, Middle East, Africa:
Bosch Security Systems B.V.
P.O. Box 80002
5600 JB Eindhoven, The Netherlands
Phone: + 31 40 2577 284
emea.securitysystems@bosch.com
emea.boschsecurity.com

Germany:
Bosch Sicherheitssysteme GmbH
Robert-Bosch-Ring 5
85630 Grasbrunn
Germany
www.boschsecurity.com

North America:
Bosch Security Systems, Inc.
130 Perinton Parkway
Fairport, New York, 14450, USA
Phone: +1 800 289 0096
Fax: +1 585 223 9180
onlinehelp@us.bosch.com
www.boschsecurity.us

Asia-Pacific:
Robert Bosch (SEA) Pte Ltd, Security Systems
11 Bishan Street 21
Singapore 573943
Phone: +65 6571 2808
Fax: +65 6571 2699
apr.securitysystems@bosch.com
www.boschsecurity.asia