

TC8235GIT Ground Loop Isolation Transformer

www.boschsecurity.com



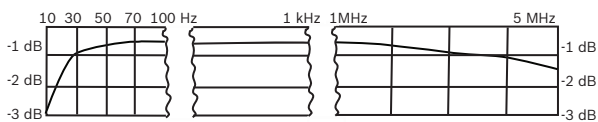
BOSCH
Invented for life



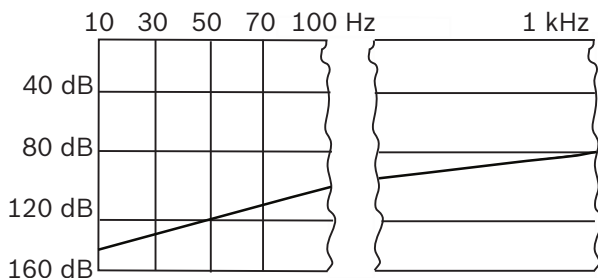
- ▶ Ground isolation for 75 Ohm video/data lines
- ▶ 10 Hz to 7 MHz bandwidth
- ▶ Low insertion loss
- ▶ Insulated BNC connectors
- ▶ Excellent discrimination against power line inter-ground potentials

The TC8235GIT is a one-to-one isolation transformer for 75 Ohm coax video/data lines. These units are designed to eliminate the effects of power line and spurious noise potentials between ground points on transmitted signals.

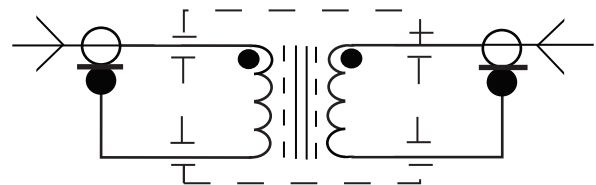
Installation/configuration notes



Signal Transmission

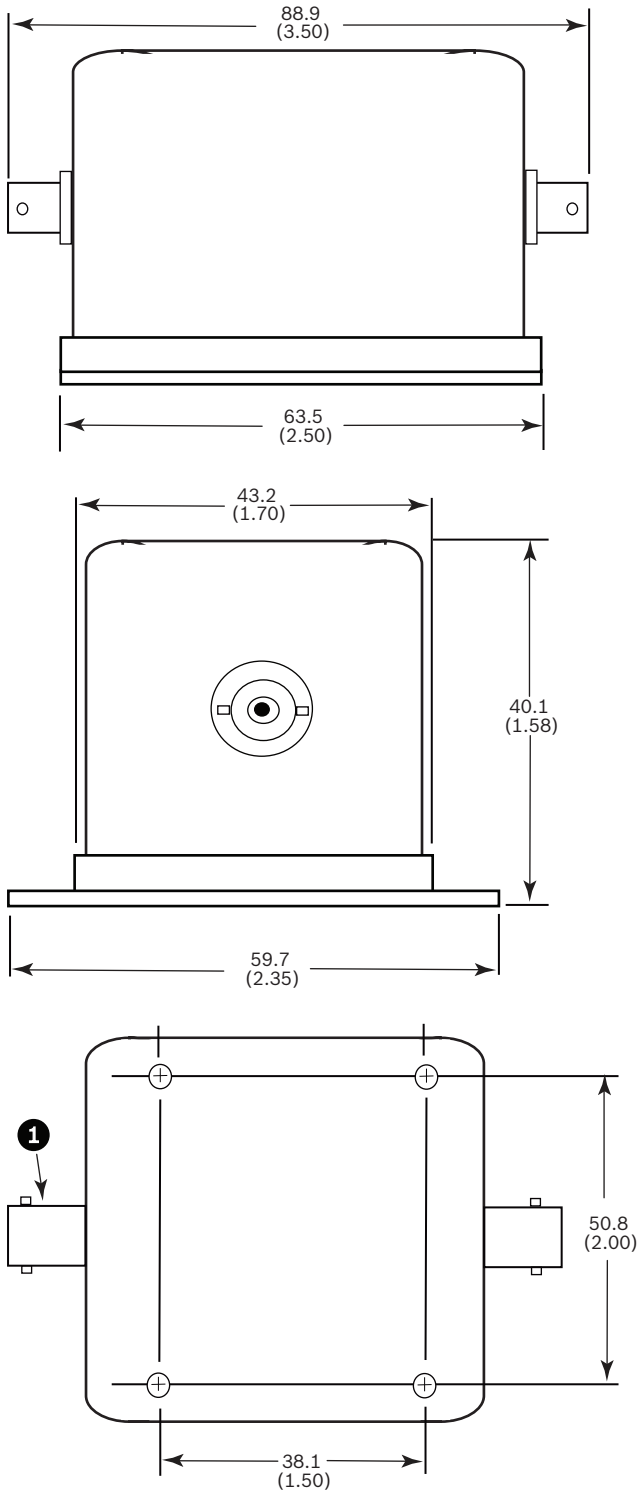


Ground Isolation



Circuit Diagram of Transformer

Input 75 Ω UNB
Output 75 Ω UNB



Dimensional Outline in mm (inches)

- 1 Insulated BNC Connector (2)

Technical specifications

Electrical

| | |
|------------------|--|
| Impedance Levels | 75 Ω unbalanced, input and output |
| Insertion Loss | 0.5 dB at 1 kHz |
| Return Loss | Better than 20 dB, 120 Hz to 5 MHz |

Sine Wave Transmission (Bandwidth)

| | |
|------------------|--|
| Amplitude | Flat loss is 0.45 dB maximum at 15 kHz, 3 dB down relative mid-frequency response at 10 Hz and 7 MHz |
| Phase | Linear with slope of 18°/MHz, 1 MHz to 5 MHz |
| Ground Isolation | $E_n/E_o = 115$ dB at 60 Hz (decreases with frequency at 6 dB/octave to 30 dB minimum at 1 MHz) |

Dielectric Withstanding Voltage

500 Vrms, 60 Hz (from connectors to case and each other)

Mechanical

| | |
|--------|----------------|
| Weight | 223 g (0.5 lb) |
| Finish | Black |

Ordering information

TC8235GIT Ground Loop Isolation Transformer
Order number **TC8235GIT**

Represented by:

Americas:

Bosch Security Systems, Inc.
130 Perinton Parkway
Fairport, New York, 14450, USA
Phone: +1 800 289 0096
Fax: +1 585 223 9180
security.sales@us.bosch.com
www.boschsecurity.us

Europe, Middle East, Africa:

Bosch Security Systems B.V.
P.O. Box 80002
5617 BA Eindhoven, The Netherlands
Phone: + 31 40 2577 284
Fax: +31 40 2577 330
emea.securitysystems@bosch.com
www.boschsecurity.com

Asia-Pacific:

Robert Bosch (SEA) Pte Ltd, Security
Systems
11 Bishan Street 21
Singapore 573943
Phone: +65 6571 2808
Fax: +65 6571 2699
apr.securitysystems@bosch.com
www.boschsecurity.asia

China:

Bosch (Shanghai) Security Systems Ltd.
201 Building, No. 333 Fuquan Road
North IBP
Changning District, Shanghai
200335 China
Phone +86 21 22181111
Fax: +86 21 22182398
www.boschsecurity.com.cn

America Latina:

Robert Bosch Ltda Security Systems Division
Via Anhanguera, Km 98
CEP 13065-900
Campinas, Sao Paulo, Brazil
Phone: +55 19 2103 2860
Fax: +55 19 2103 2862
latam.boschsecurity@bosch.com
www.boschsecurity.com