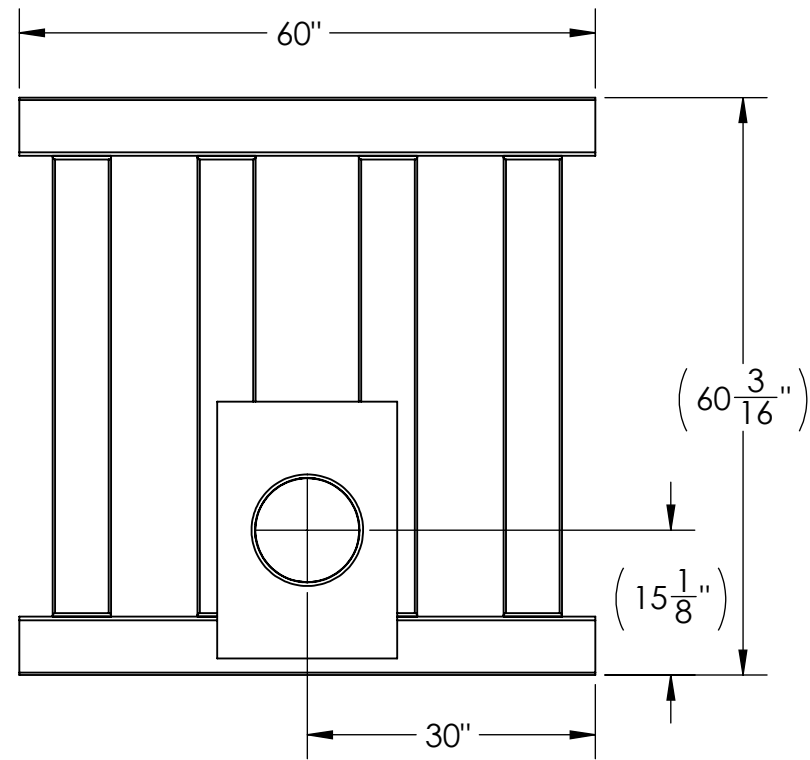


**K12/M50 FIXED SHALLOW MOUNT**



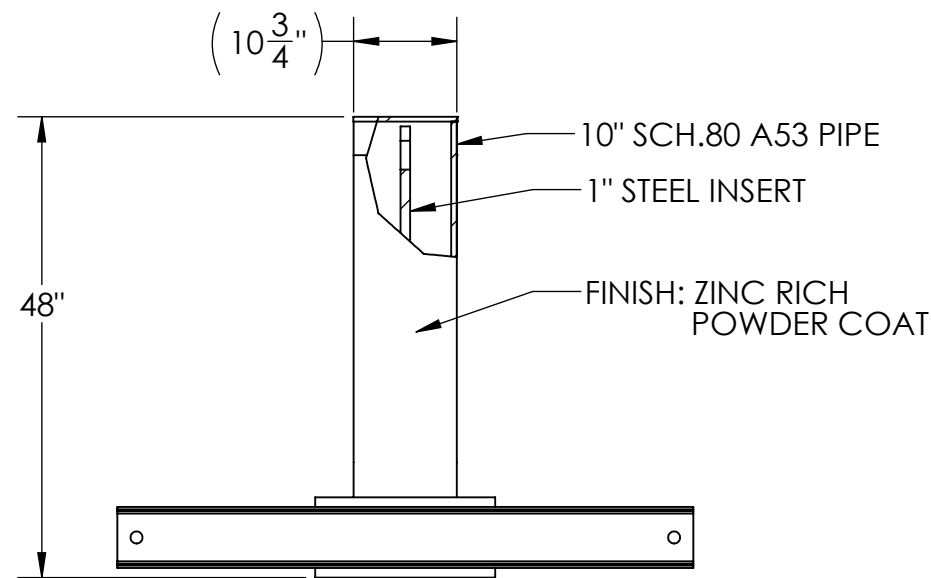
PLAN VIEW

Company: \_\_\_\_\_

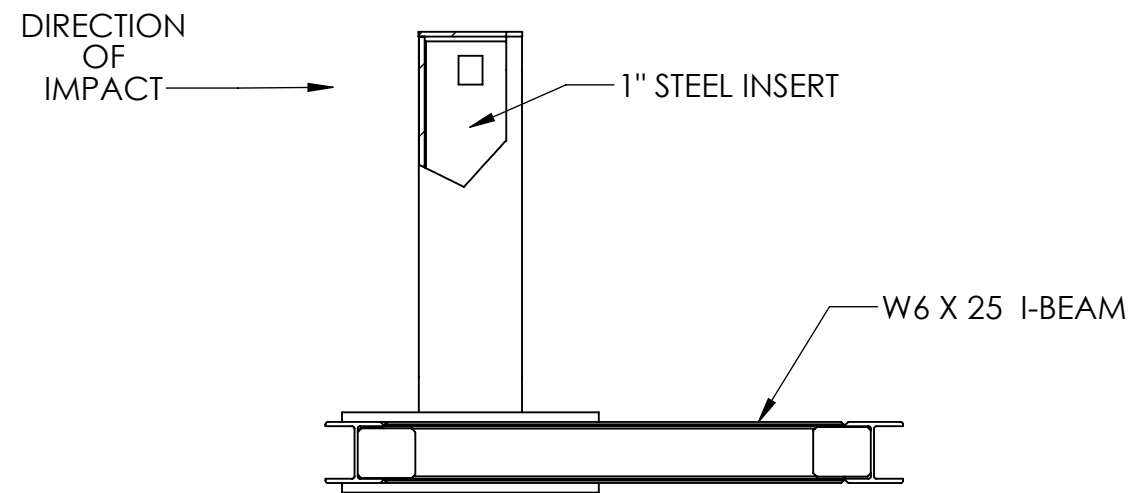
Project Name: \_\_\_\_\_

Signee's Name Written Clearly: \_\_\_\_\_ Date: \_\_\_\_\_

Authorized Signature: \_\_\_\_\_



ELEVATION-VIEW



<b>SIZE B</b>	<b>PRODUCED BY :</b>	<b>JMG</b>	<b>REV :</b>	
	<b>PRODUCED ON :</b>	<b>5/1/15</b>	<b>SHEET :</b>	<b>1 OF 2</b>

**CALPIPE INDUSTRIES**  
Incorporated

19440 S. DOMINGUEZ HILLS DR.  
RANCHO DOMIGUEZ, CA. 90220, USA

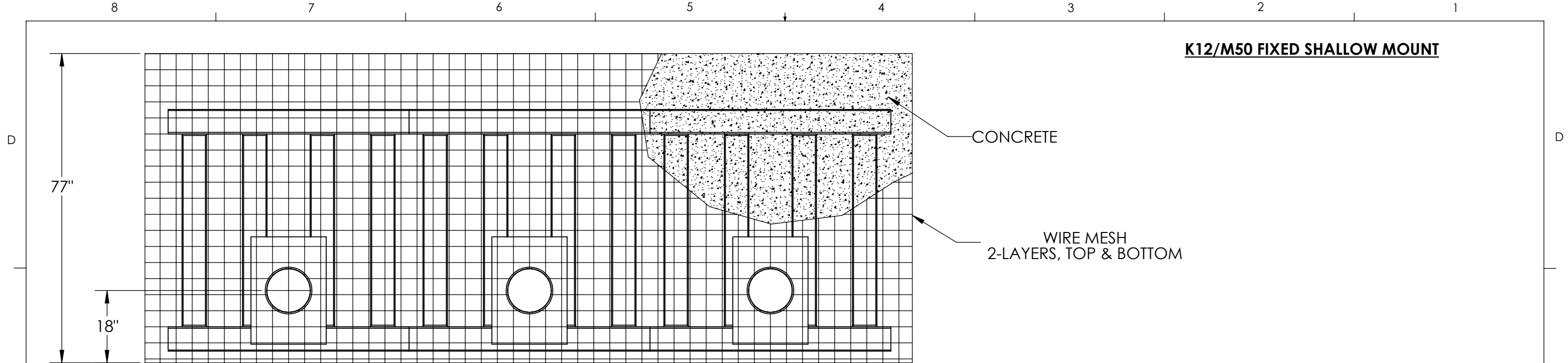
www.CalPipeBollards.com  
562.803.4388 Direct  
310.885.1899 Fax

**PROPRIETARY AND CONFIDENTIAL**  
THE INFORMATION CONTAINED IN THIS  
DRAWING IS THE SOLE PROPERTY OF  
CALPIPE INDUSTRIES INC. ANY  
REPRODUCTION IN PART OR AS A WHOLE  
WITHOUT THE WRITTEN PERMISSION OF  
CALPIPE INDUSTRIES INC. IS PROHIBITED

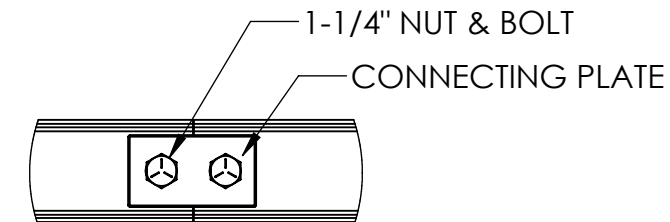
**UNLESS OTHERWISE SPECIFIED:**  
DIMENSIONS ARE IN INCHES  
TOLERANCES:  
FRACTIONAL ± 1/4  
ANGULAR: MACH ± 1 BEND ± 1  
TWO PLACE DECIMAL THREE ± .010  
PLACE DECIMAL ± .005

**PDT10080SMF**  
**M50/K12 FIXED SHALLOW MOUNT**

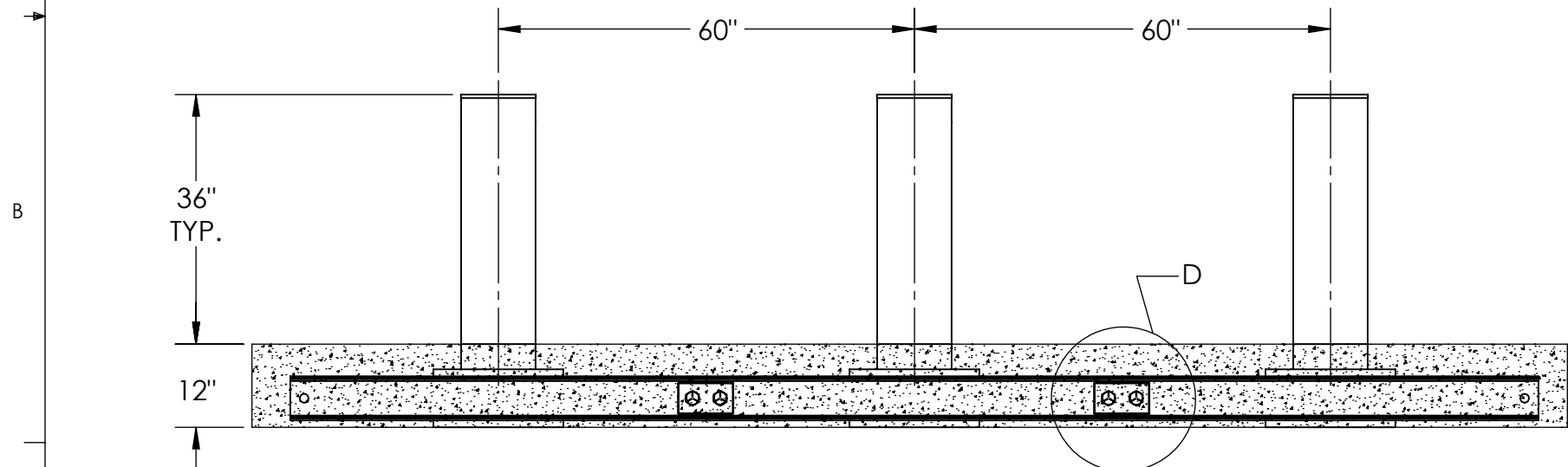
**K12/M50 FIXED SHALLOW MOUNT**



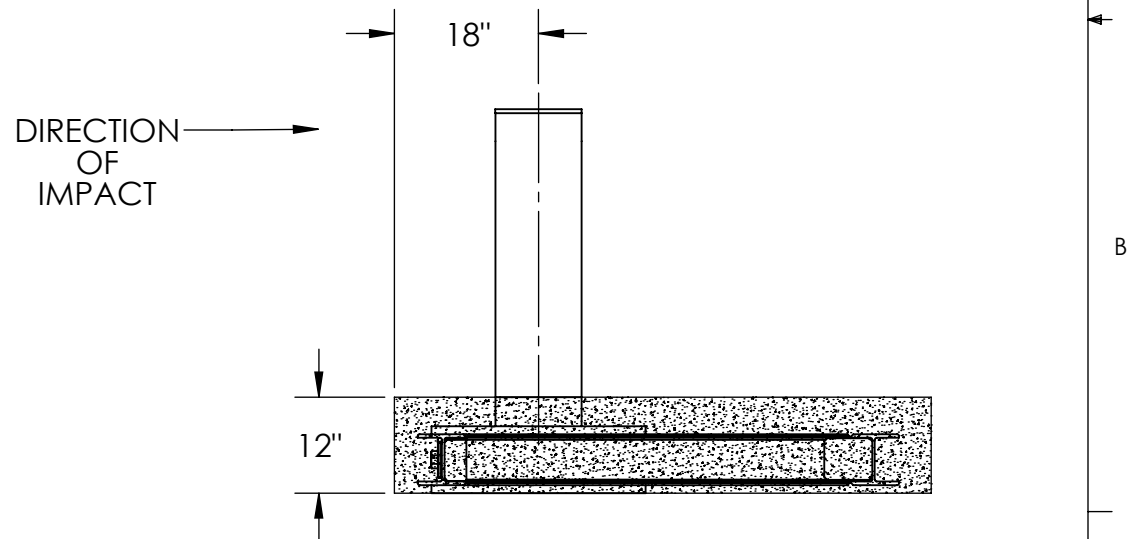
PLAN - VIEW



DETAIL D



ELEVATION-VIEW



SIDE ELEVATION-VIEW

Company: \_\_\_\_\_

Project Name: \_\_\_\_\_

Signee's Name Written Clearly: \_\_\_\_\_ Date: \_\_\_\_\_

Authorized Signature: \_\_\_\_\_

<b>SIZE B</b>	<b>PRODUCED BY :</b>	<b>JMG</b>	<b>REV :</b>	
	<b>PRODUCED ON :</b>	<b>5/1/15</b>	<b>SHEET :</b>	<b>2 OF 2</b>



**19440 S. DOMINGUEZ HILLS DR.  
RANCHO DOMIGUEZ, CA. 90220,USA**

**www.CalPipeBollards.com  
562.803.4388 Direct  
310.885.1899 Fax**

PROPRIETARY AND CONFIDENTIAL  
THE INFORMATION CONTAINED IN THIS  
DRAWING IS THE SOLE PROPERTY OF  
CALPIPE INDUSTRIES INC. ANY  
REPRODUCTION IN PART OR AS A WHOLE  
WITHOUT THE WRITTEN PERMISSION OF  
CALPIPE INDUSTRIES INC. IS PROHIBITED

UNLESS OTHERWISE SPECIFIED:  
DIMENSIONS ARE IN INCHES  
TOLERANCES:  
FRACTIONAL ± 1/4  
ANGULAR: MACH ± 1 BEND ± 1  
TWO PLACE DECIMAL THREE ± 0.010  
PLACE DECIMAL ± 0.005

**PDT10080SMF  
M50/K12 FIXED SHALLOW MOUNT**