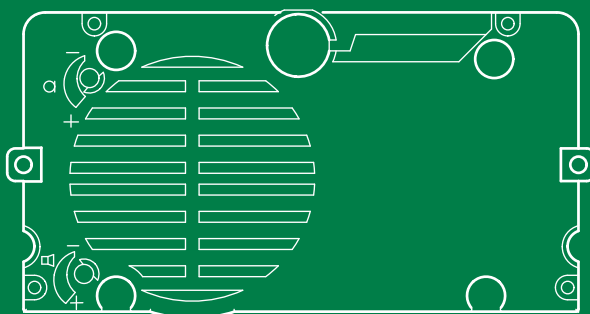
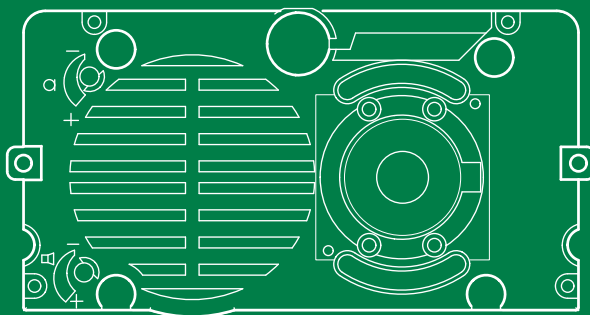


EN

TECHNICAL  
MANUAL



Audio/video module for SBTOP system  
Art. 4680C, 1622VC, 1622VCF

 **Comelit**<sup>®</sup>  
Passion. Technology. Design.

# Warning

## Intended use

This Comelit product was designed for use in the creation of audio and video communication systems in residential, commercial or industrial settings and in public buildings or buildings used by the public.

## Installation

All activities connected to the installation of Comelit products must be carried out by qualified technical personnel, with careful observation of the indications provided in the Manuals / Instruction sheets supplied with those products.

## Wires

Cut off the power supply before carrying out any maintenance procedures.

Use wires with a cross-section suited to the distances involved, observing the instructions provided in the system manual.

We advise against running the system wires through the same duct as the power cables (230V or higher).

## Safe usage

To ensure Comelit products are used safely:

- carefully observe the indications provided in the Manuals / Instruction sheets
- make sure the system created using Comelit products has not been tampered with / damaged.

## Maintenance

Comelit products do not require maintenance aside from routine cleaning, which should be carried out in accordance with the indications provided in the Manuals / Instruction sheets.

Any repair work must be carried out

- for the products themselves, exclusively by **Comelit Group S.p.A.**,
- for systems, by qualified technical personnel.

## Disclaimer

**Comelit Group S.p.A.** does not assume any responsibility for

- any usage other than the intended use
- non-observance of the indications and warnings contained in this Manual / Instruction sheet.

**Comelit Group S.p.A.** nonetheless reserves the right to change the information provided in this Manual / Instruction sheet at any time and without prior notice.



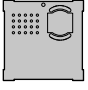
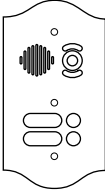

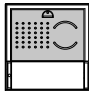

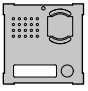

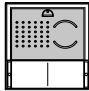

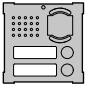
# Table of contents

<b>Warning</b> .....	<b>2</b>	<b>Vandalcom modules</b> .....	<b>12</b>
<b>Description</b> .....	<b>3</b>	Connection of Art. 3064S .....	12
Art. 4680C - Compatibility table .....	3	Connection of Art. 3188SB .....	12
Art. 1622VC/1622VCF - Compatibility table .....	3	Connection of Art. 3070S, 3072S .....	13
<b>Connecting the remote camera</b> .....	<b>4</b>	<b>Modules for Single-plate external unit</b> .....	<b>13</b>
<b>Technical characteristics</b> .....	<b>5</b>	Connection of Art. 3063D .....	13
<b>External unit installation</b> .....	<b>7</b>	<b>Button programming</b> .....	<b>14</b>
<b>Connections</b> .....	<b>9</b>	<b>Special programmes</b> .....	<b>15</b>
<b>4680C/1622VC/1622VCF connections</b> .....	<b>9</b>	<b>Installation information</b> .....	<b>17</b>
<b>Remote camera connection (Art. 1622VC / 1622VCF only)</b> .....	<b>9</b>	<b>System performance and layouts</b> .....	<b>17</b>
<b>Variants</b> .....	<b>10</b>		
<b>Module connection</b> .....	<b>11</b>		
<b>Ikall / Ikall Metal modules</b> .....	<b>11</b>		
Connection of button modules 33433, 33434, 33436, 33433M, 33434M, 33436M .....	11		
Connection of Art. 3348B, 3348BM .....	11		
Connection of Art. 3360B, 3360BM .....	11		

# Description


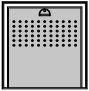
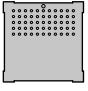
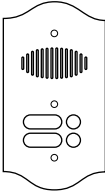
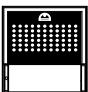
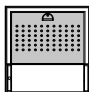

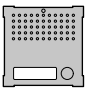

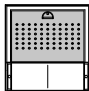

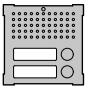
Article **4680C** is a colour audio-video module which is compatible with Comelit "SBTOP" video entry systems, exclusively for use in conjunction with riser power supply unit Art. 4888C.

It can be installed in *Icall*, *Icall Metal*, *Vandalcom*, *Roma* external units and can be finished with additional modules to meet all system requirements.

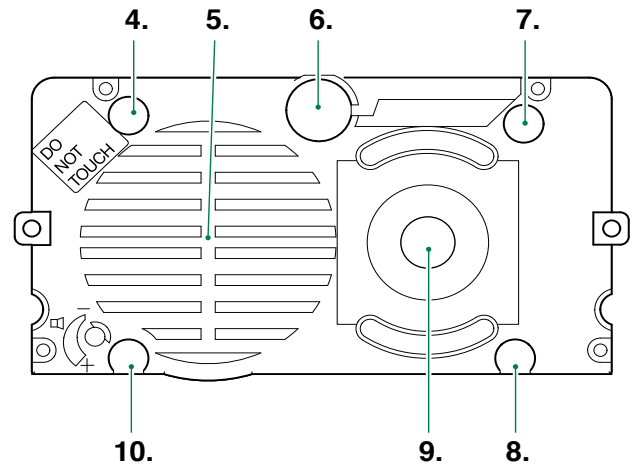
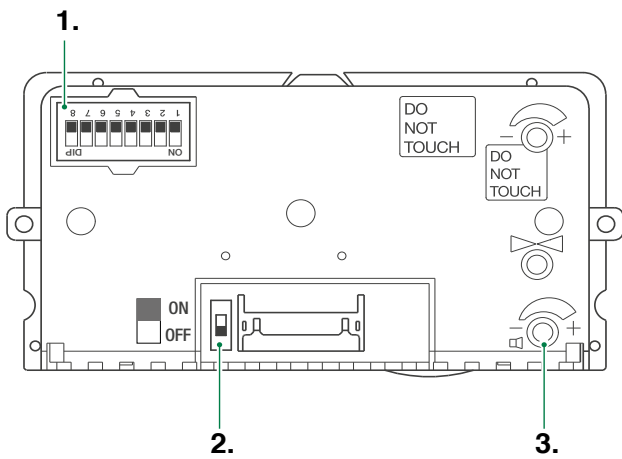
Art. 4680C - Compatibility table				
<i>Icall</i>		<i>Icall Metal</i>	<i>Vandalcom</i>	<i>Roma</i>
 33410		 33410M	 3268S/0	 32xx/RI
 33411	 33411A	 33411M	 3268S/1	
 33412	 33412A	 33412M	 3268S/2	

Item **1622VC/1622VCF** is an audio module allowing connection of a remote colour PAL camera. It is compatible with Comelit "SBTOP" video entry systems, exclusively for use in conjunction with riser power supply unit Art. 4888C.

It can be installed in *Icall*, *Icall Metal*, *Vandalcom*, *Roma* external units and can be finished with additional modules capable of fulfilling all system requirements.

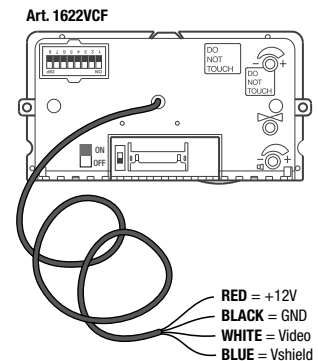
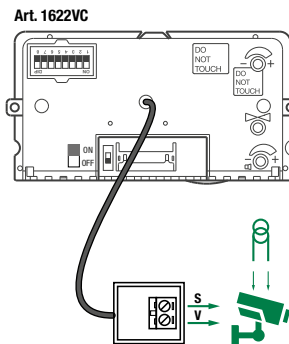
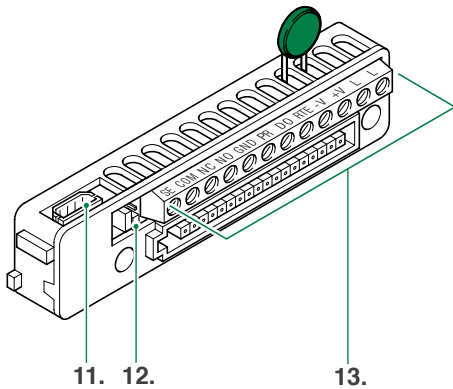
Art. 1622VC/1622VCF - Compatibility table				
<i>Icall</i>		<i>Icall Metal</i>	<i>Vandalcom</i>	<i>Roma</i>
 33400		 33400M	 3262S/0	 30xx/RI
 33401	 33401A	 33401M	 3262S/1	
 33402	 33402A	 33402M	 3262S/2	

To make use of the indicator LEDs (busy, call sent, door opened, communication active), faceplates from kit 33400K are available to purchase separately for the IKALL series.



- 1. DIP switches for function programming and setting the user code.
- 2. Switch for confirming special programmes.
- 3. Loudspeaker volume control.

- 4. Indicator LED: call sent.
- 5. Loudspeaker.
- 6. Microphone.
- 7. Indicator LED: system busy.
- 8. Indicator LED: sound activated.
- 9. Colour camera (with Art. 4680C only).
- 10. Indicator LED: lock-release activated.



- 11. 8-pole cable connector.
- 12. RC network control for door lock filter on relay contacts (see **“Variants”**).
- 13. Terminal block for connection:
  - SE** electric lock connection
  - COM** common relay contact
  - NC** normally closed relay contact
  - NO** normally open relay contact
  - GND** input reference negative for DO-RTE
  - PR** programming input
  - DO** door opened signal input
  - RTE** local lock release input
  - V-** power supply negative
  - V+** power supply positive
  - LL** bus line connection

### Connecting the remote camera

Art. **1622VC** is supplied with a cable for the connection of a separately powered remote camera.

Art. **1622VCF** is supplied with a cable for the connection of a camera powered by the external unit (12 V-150 mA MAX).

# Technical characteristics

## Art. 4680C

### MAIN FEATURES

Audio/video system	Yes
Horizontal resolution (TVL)	540
Minimum illumination (lux)	0.35
Lens size (mm)	3.60
Camera orientation	Yes
Clamps	L L V+V- RTE DO PR GND SE COM NC NO
Microphone volume control	Yes
Loudspeaker volume control	Yes
Operating temperature (°C)	-25 ÷ 55
S/N ratio (dB)	48

### FUNCTIONS

Key button function	Yes
---------------------	-----

### HARDWARE SPECIFICATIONS

Visual signalling	Yes
Acoustic signalling	Yes
Speech synthesis	Yes

### SETTINGS

Loudspeaker volume control	Yes
Microphone volume control	Yes

### GENERAL DATA

Product height (mm)	55
Product width (mm)	102
Product depth (mm)	38

### COMPATIBILITY

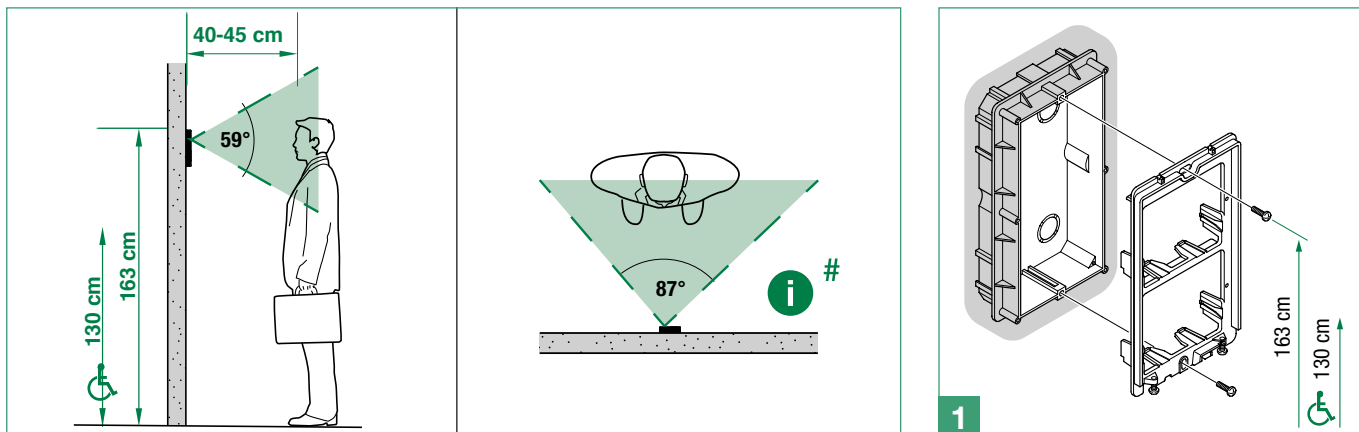
Simplebus Top audio/video system	Yes
----------------------------------	-----

### ELECTRICAL SPECIFICATIONS

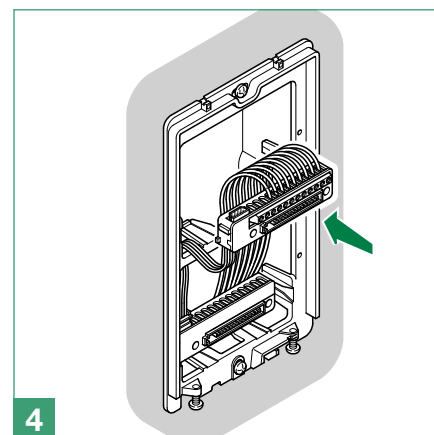
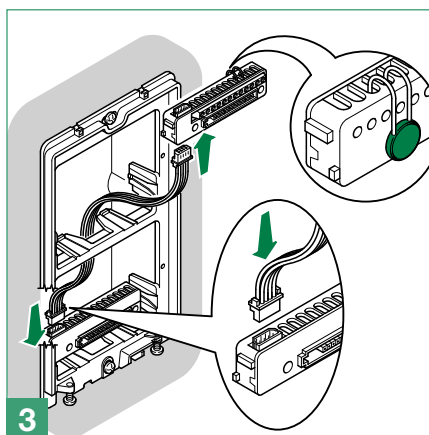
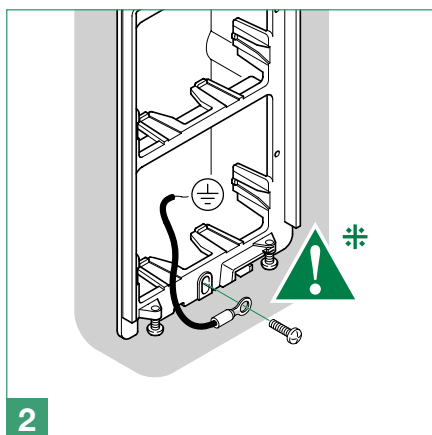
Door release (dry contact bridge)	Yes
Door release (direct current output)	Yes

	<b>Art. 1622VC</b>	<b>Art. 1622 VCF</b>
<b>MAIN FEATURES</b>		
Audio/video system	Yes	Yes
Clamps	L L V+V- RTE DO PR GND SE COM NC NO	L L V+V- RTE DO PR GND SE COM NC NO
Microphone volume control	Yes	Yes
Loudspeaker volume control	Yes	Yes
Operating temperature (°C)	-25 ÷ 55	-25 ÷ 55
<b>FUNCTIONS</b>		
Key button function	Yes	Yes
<b>HARDWARE SPECIFICATIONS</b>		
Visual signalling	Yes	Yes
Acoustic signalling	Yes	Yes
Speech synthesis	Yes	Yes
<b>SETTINGS</b>		
Loudspeaker volume control	Yes	Yes
Microphone volume control	Yes	Yes
<b>GENERAL DATA</b>		
Product height (mm)	55	55
Product width (mm)	102	102
Product depth (mm)	38	38
<b>COMPATIBILITY</b>		
Simplebus Top audio/video system	Yes	Yes
<b>ELECTRICAL SPECIFICATIONS</b>		
Door release (dry contact bridge)	Yes	Yes
Door release (direct current output)	Yes	Yes

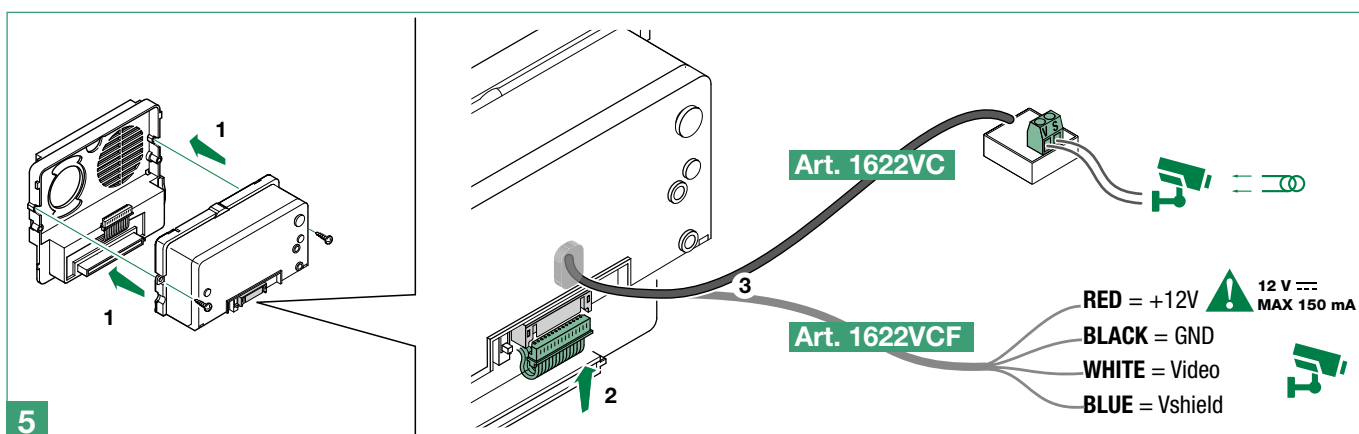
# External unit installation

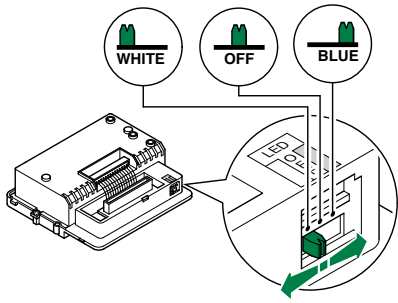


**i** # The camera must not be installed in front of light sources, or in places where the filmed subject is against the light.  
In dim environments, we recommend additional lighting is provided.

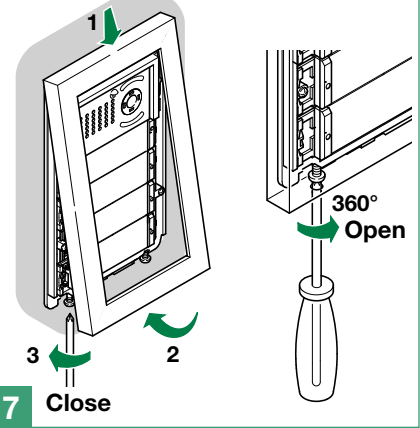
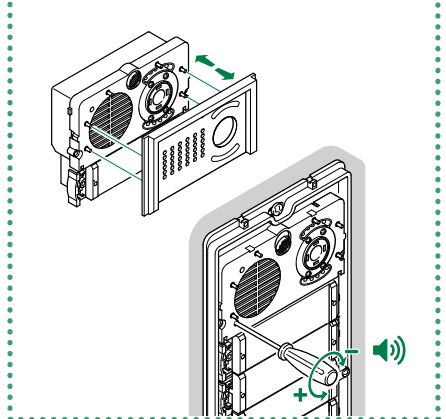
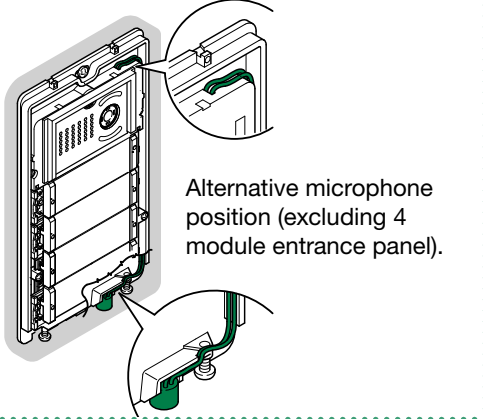
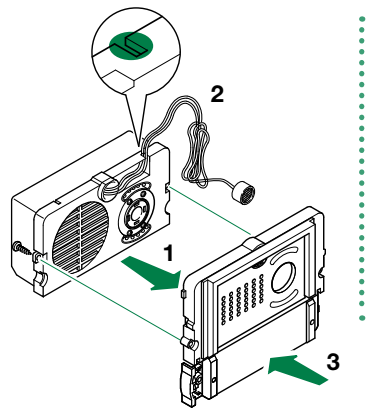
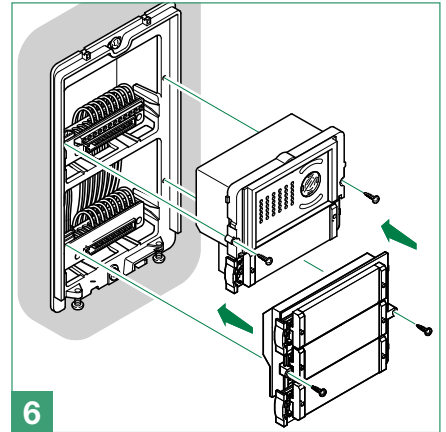
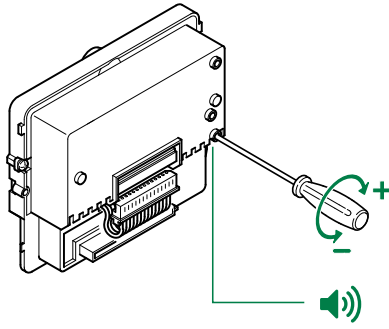


**!** # Connect the module support frame to earth.





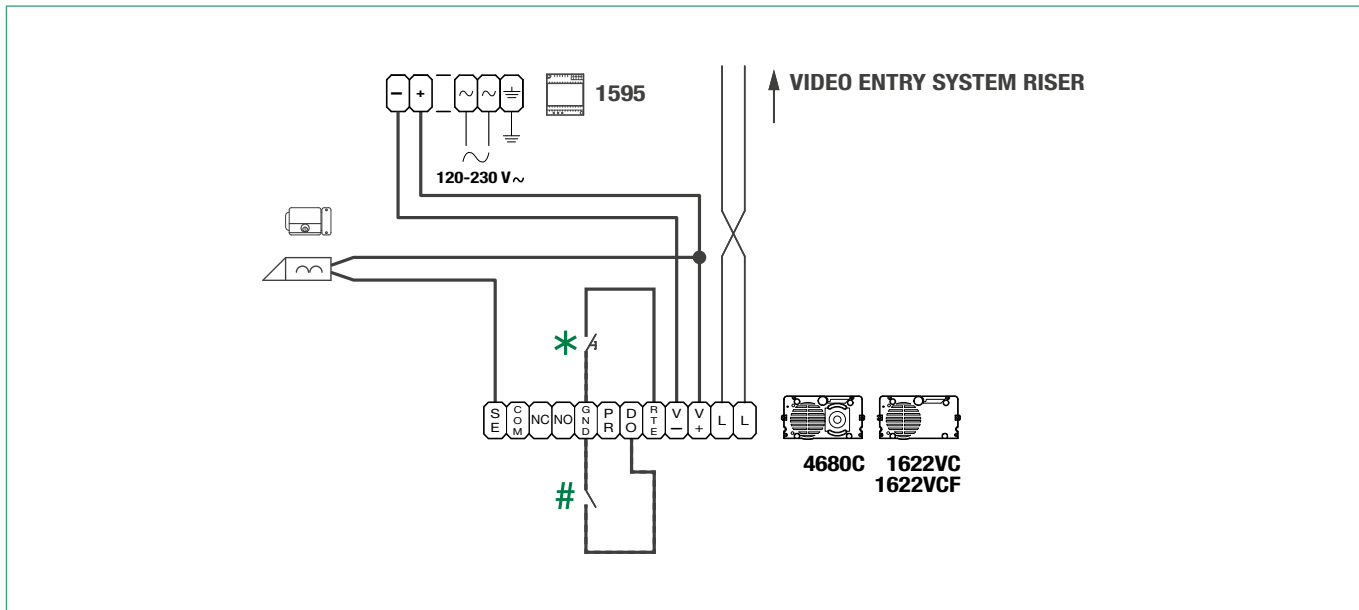
Nameplate LED lighting selection.





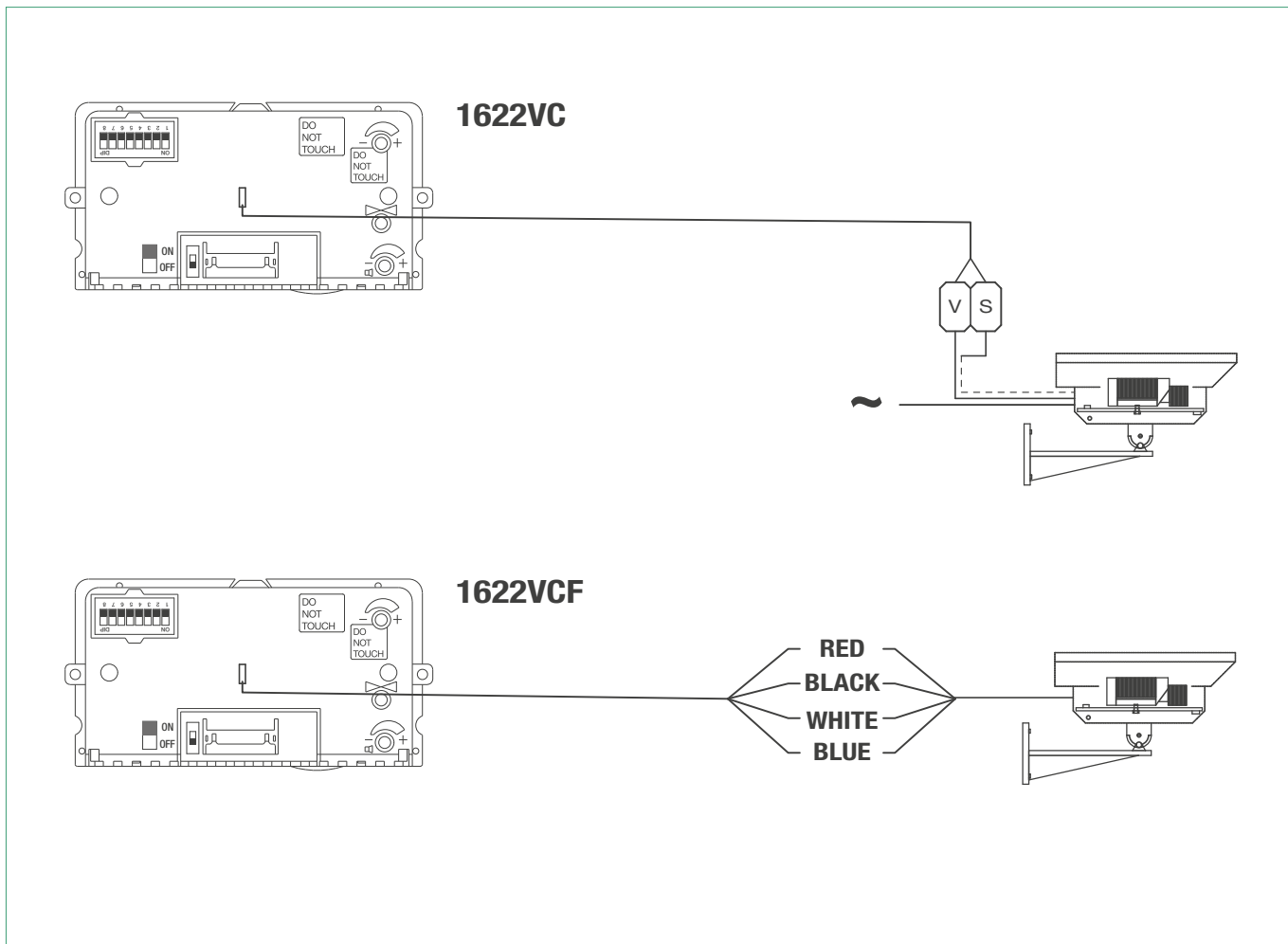
# Connections

## 4680C/1622VC/1622VCF connections



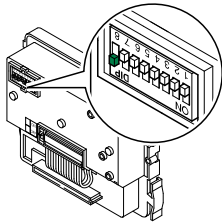
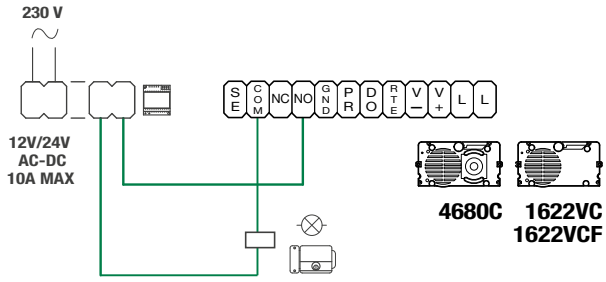
- \* 20 m max. Local lock-release button.
- # Active input closed for DOOR OPEN signal.

## Remote camera connection (Art. 1622VC / 1622VCF only)



# Variants

## Variant for using the external unit relay

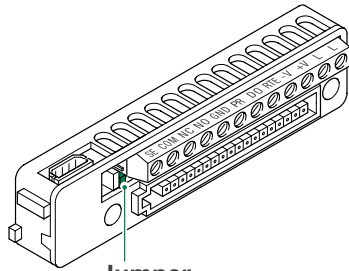
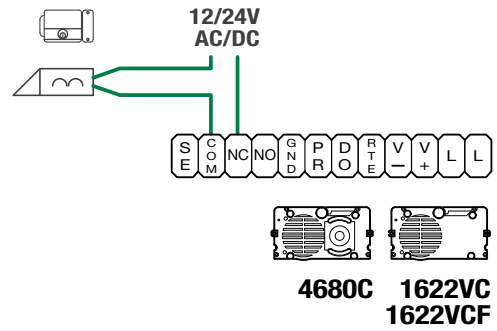


**“C.NC.NO relay activation on actuator command: 2 sec”**

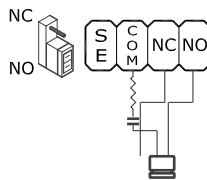
Set dip switches in permanent mode as shown in figure (Dip switch 8 ON, Dip switches 1,2,3,4,5,6,7 OFF)

**(Applies to Art. 4680C with R.I. 041 or greater)**

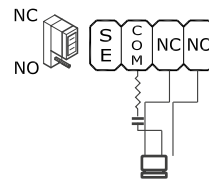
## Variant for using a safety lock



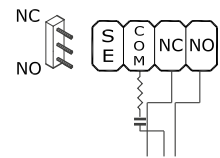
**Jumper**



On C. NO. contacts



On C. NC. contacts

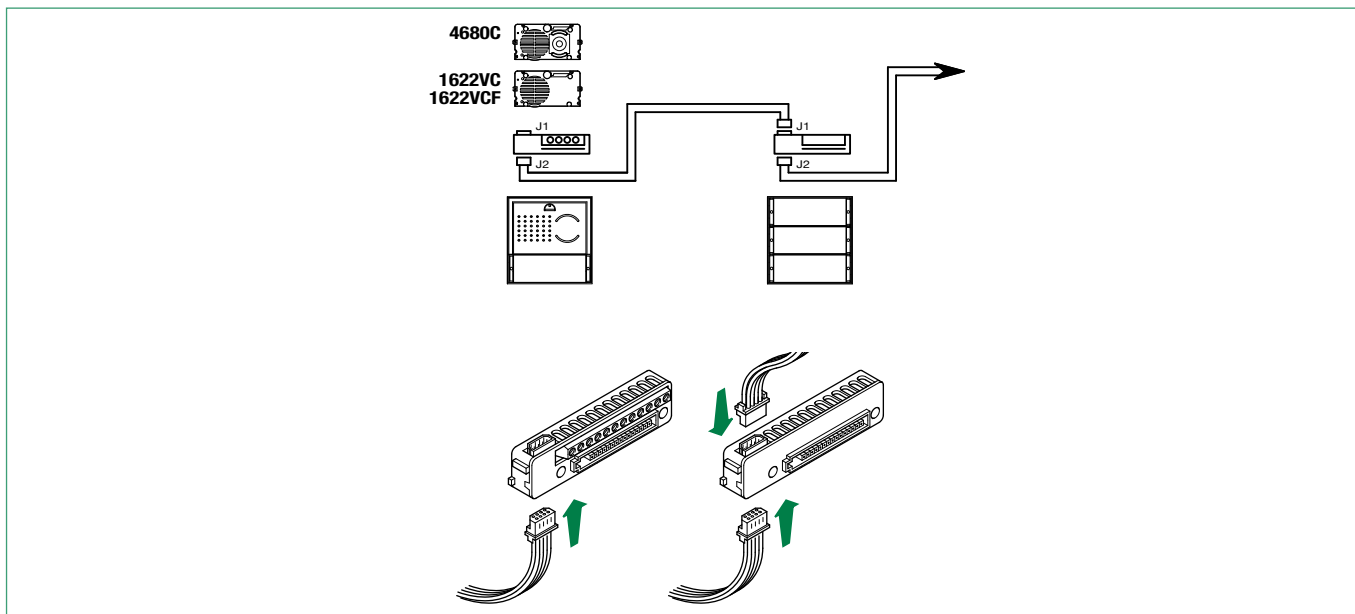


Excluded: voltage-free contact

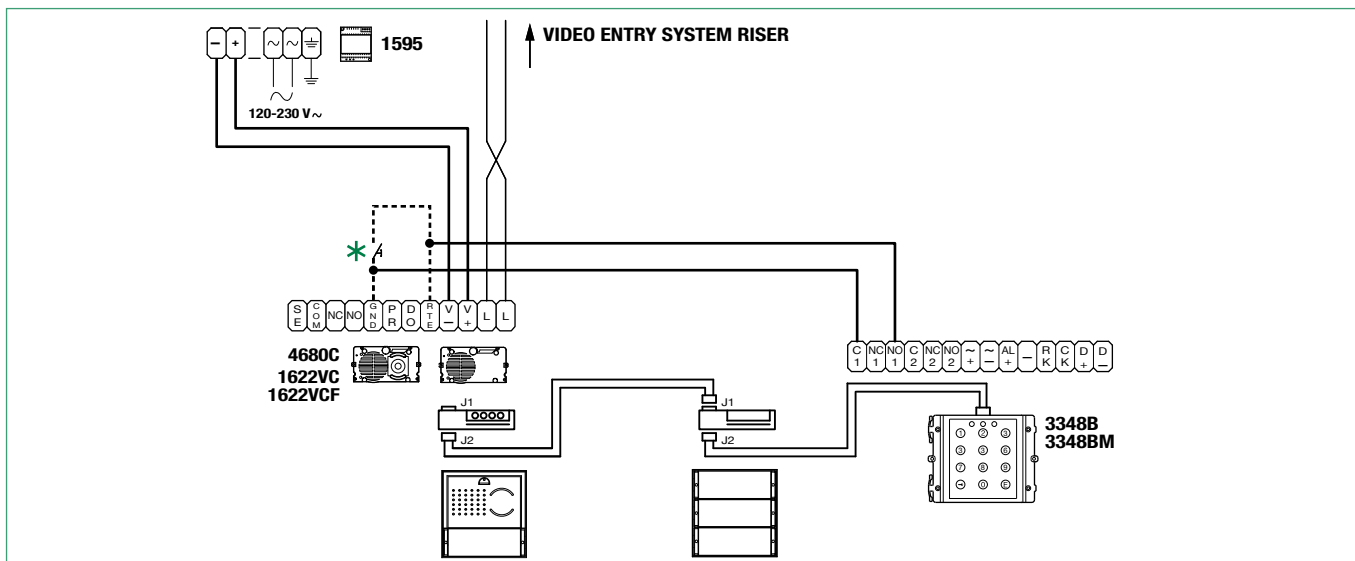
# Module connection

## Ikall / Ikall Metal modules

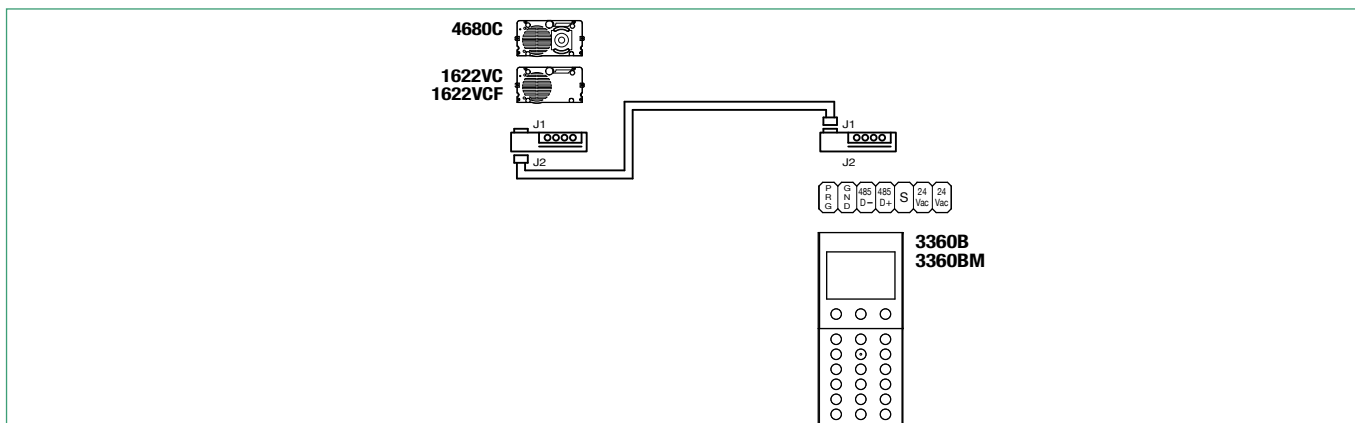
### Connection of button modules 33433, 33434, 33436, 33433M, 33434M, 33436M



### Connection of Art. 3348B, 3348BM

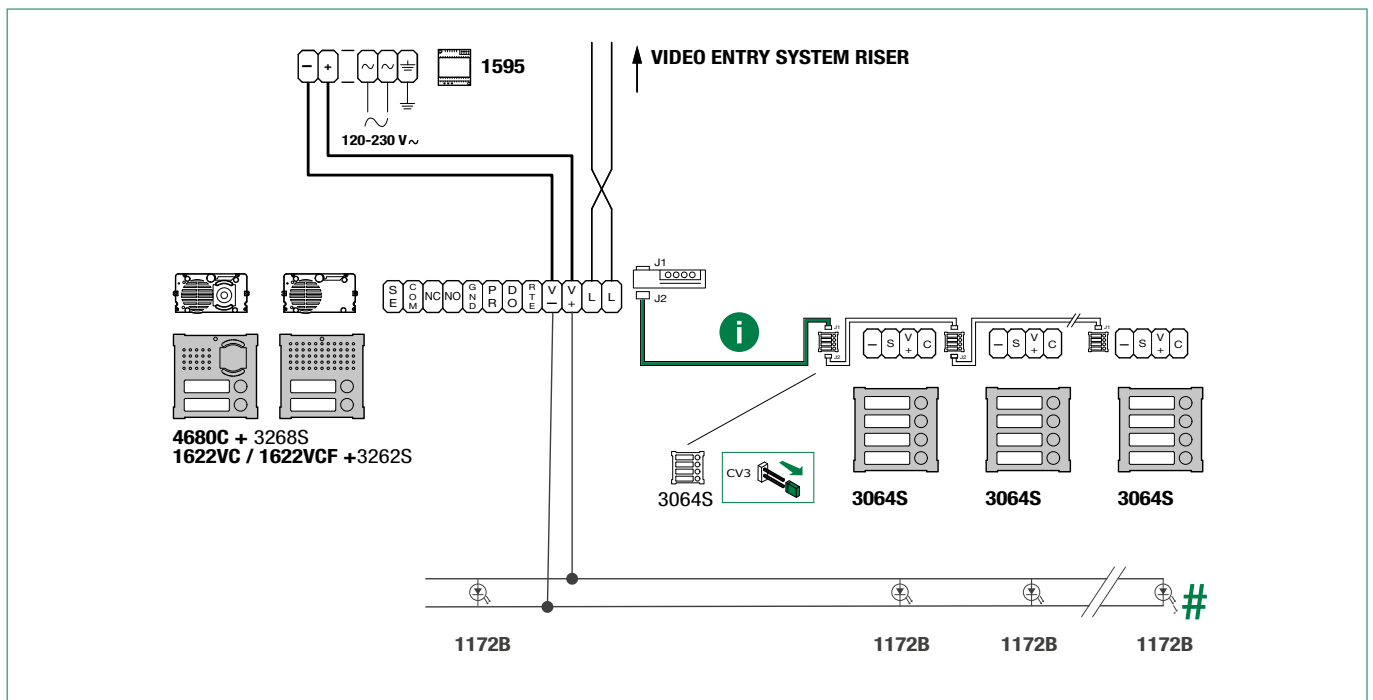


### Connection of Art. 3360B, 3360BM



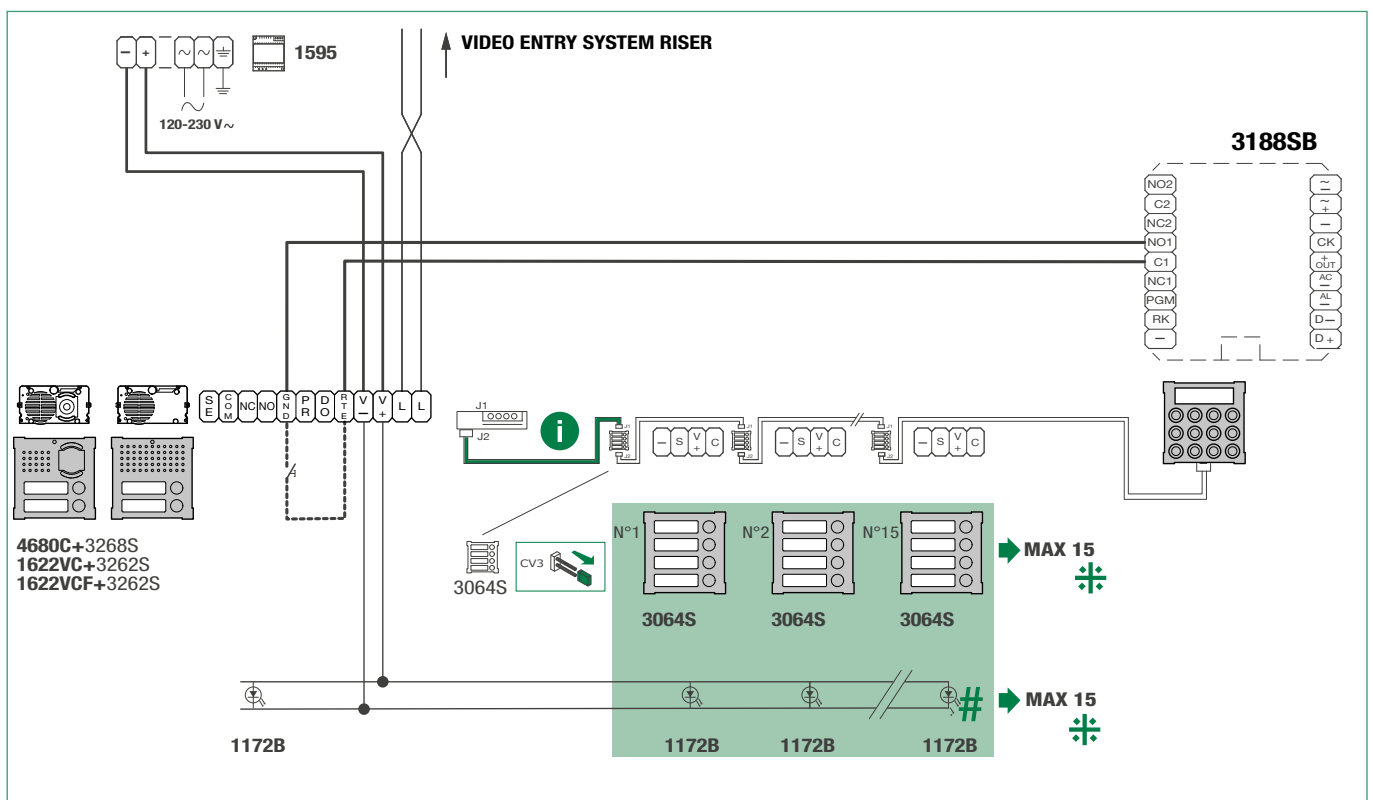
# Vandalcom modules

## Connection of Art. 3064S



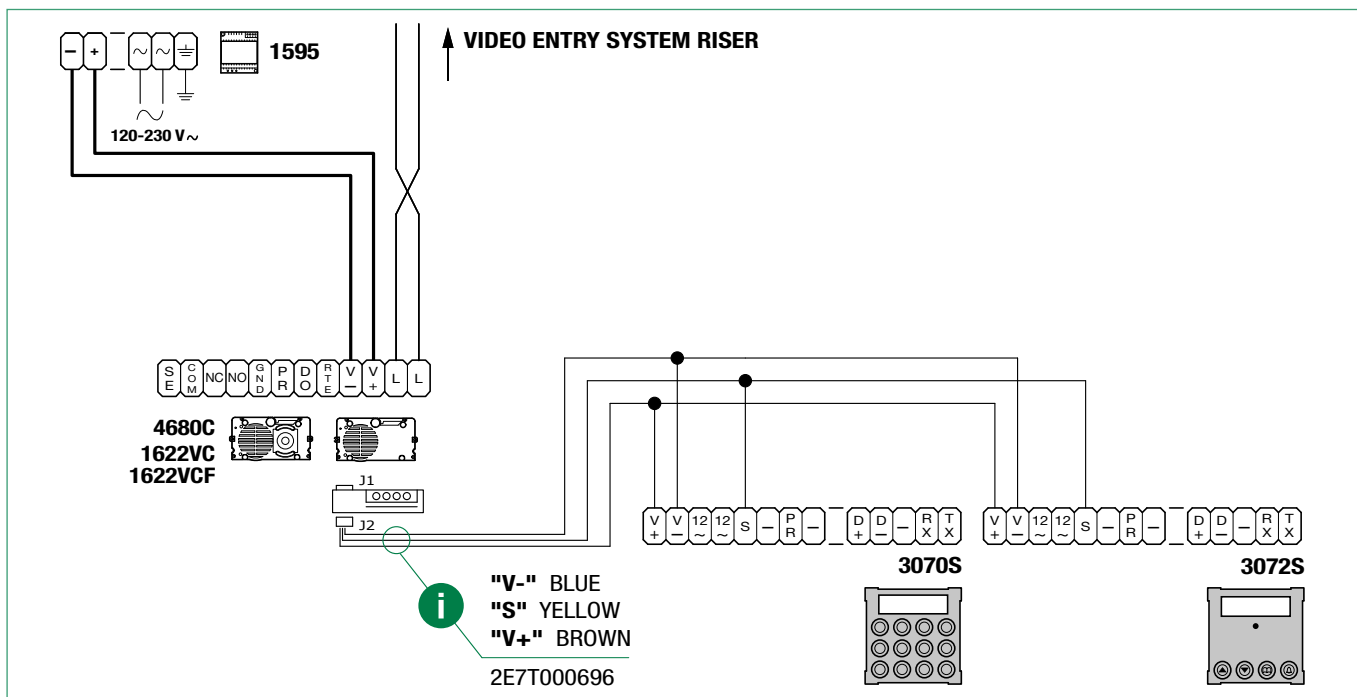
- i** Use the cable supplied with Art. 3262S, 3268S
- #** Use bulb Art. 1172B for nameplate lighting. The bulb is polarised.

## Connection of Art. 3188SB



- i** Use the cable supplied with Art. 3262S, Art. 3268S
- #** MAX 15 modules.
- #** Use bulb Art. 1172B for nameplate lighting. The bulb is polarised

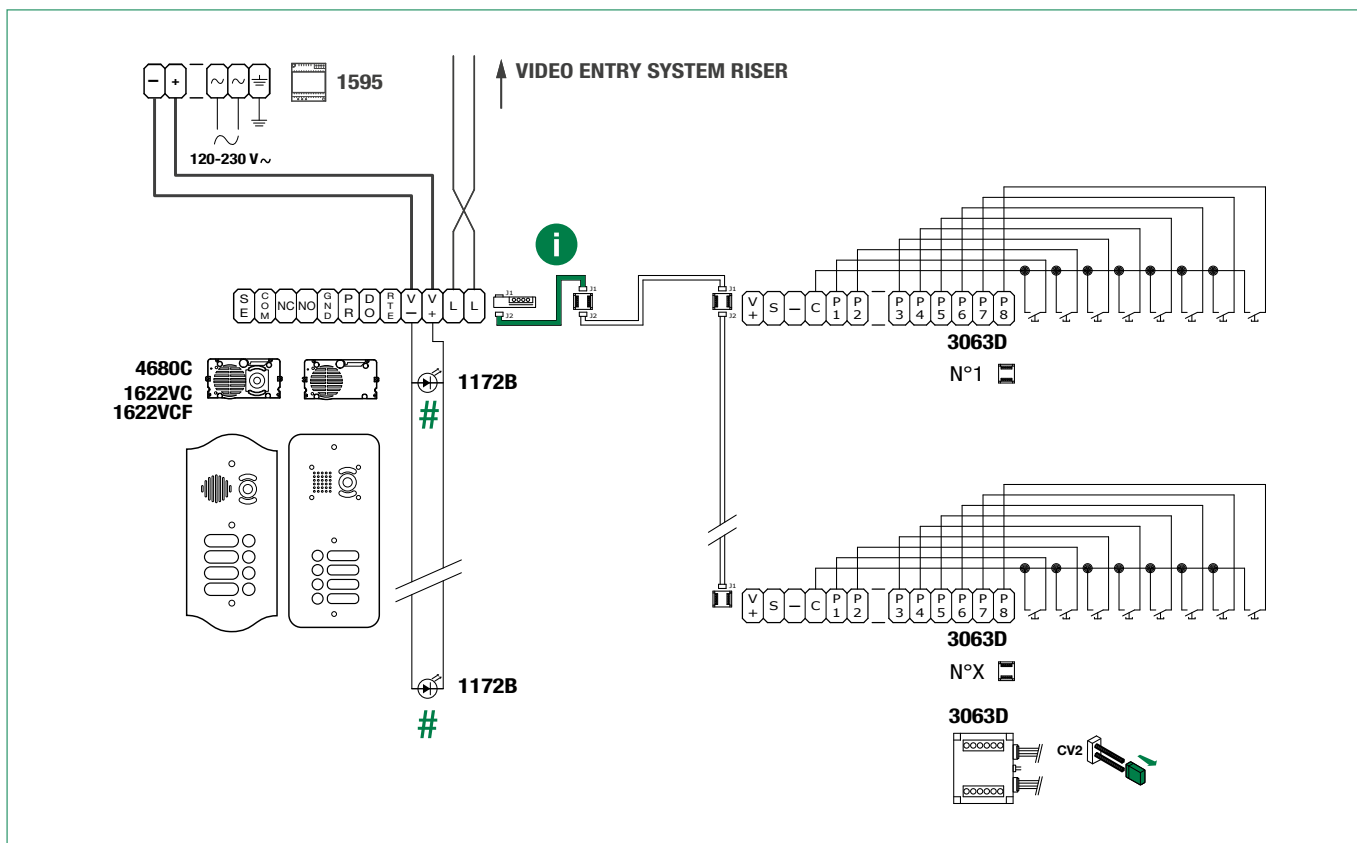
Connection of Art. 3070S, 3072S



**i** Use the cable 2E7T000696 supplied with Art. 3070S, Art. 3072S

Modules for Single-plate external unit

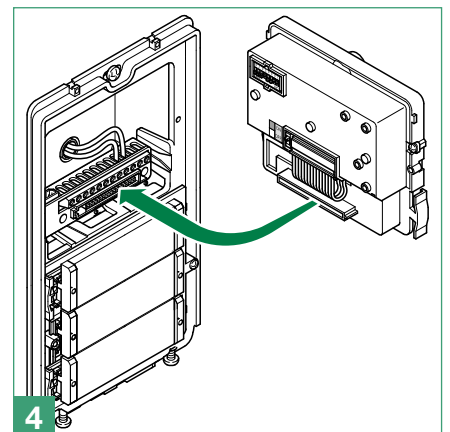
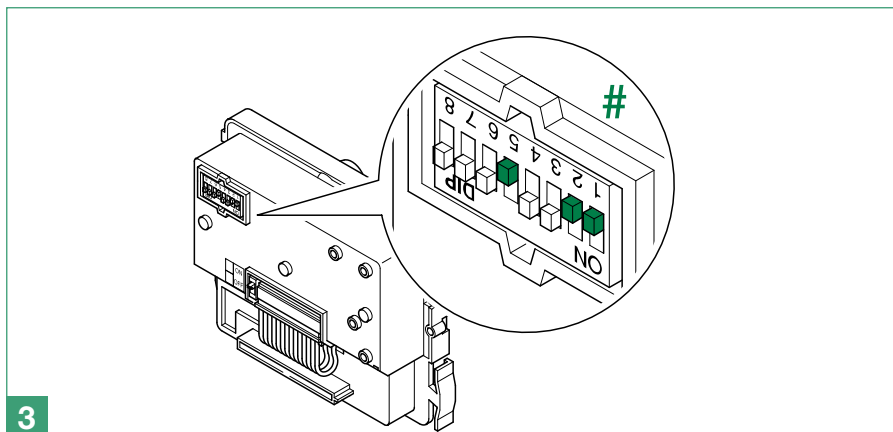
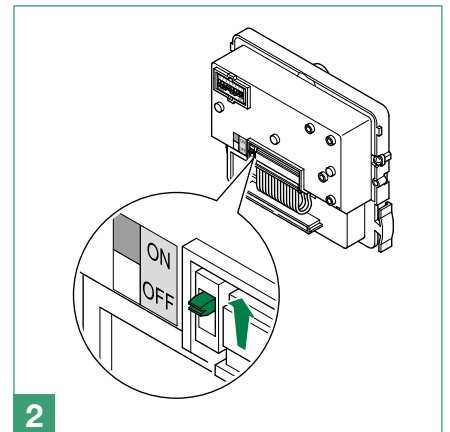
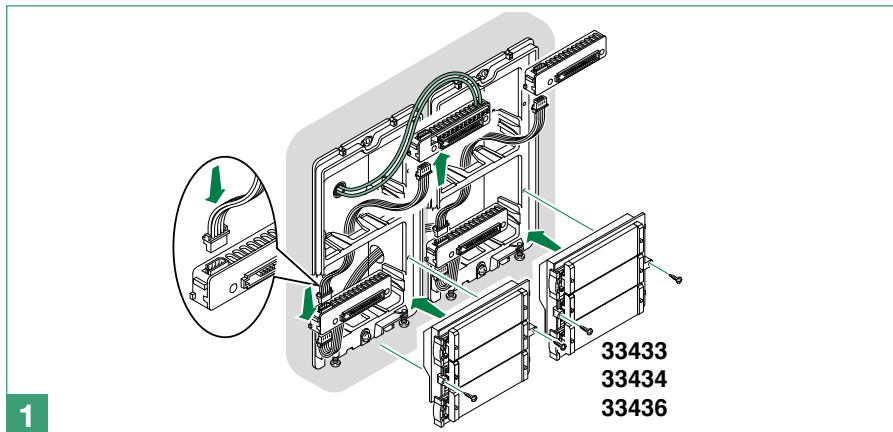
Connection of Art. 3063D



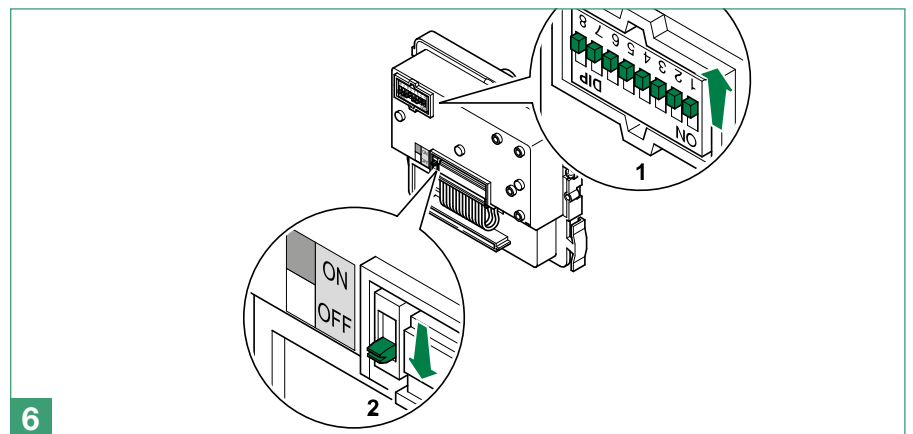
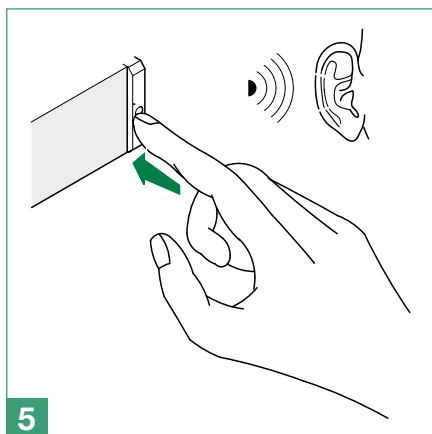
**i** Use the cable included in Art. 1250IV, Art. 1250IA

# Use bulb Art. 1172B for nameplate lighting. The bulb is polarised

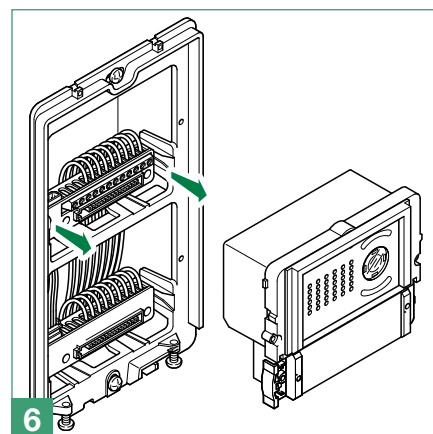
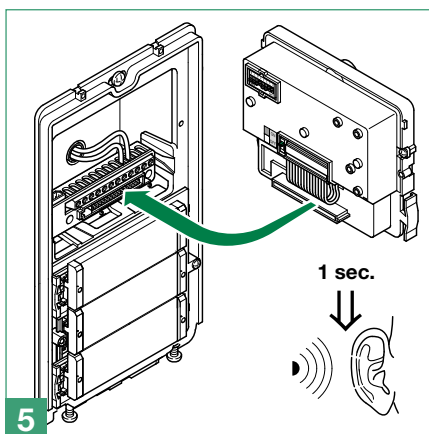
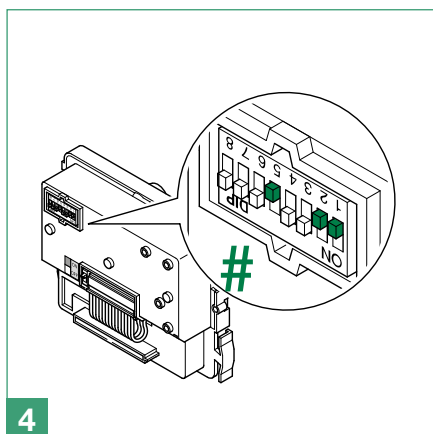
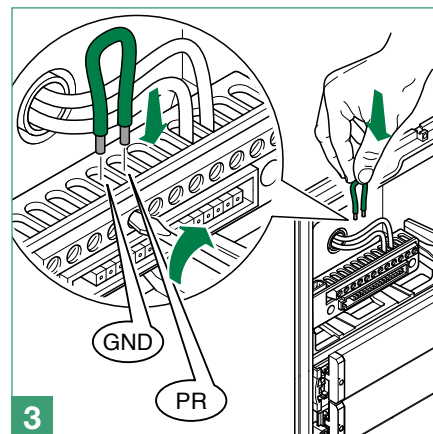
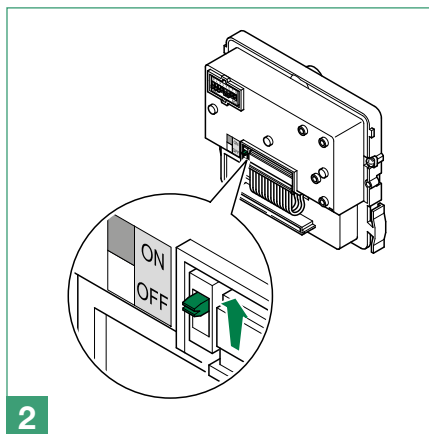
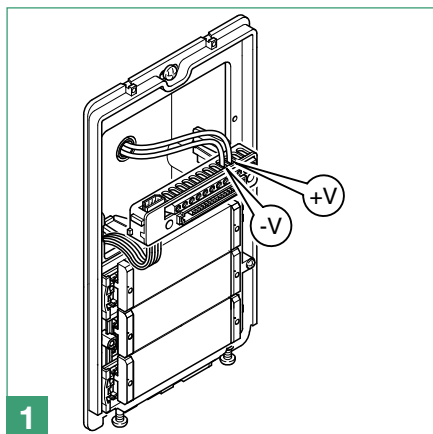
# Button programming



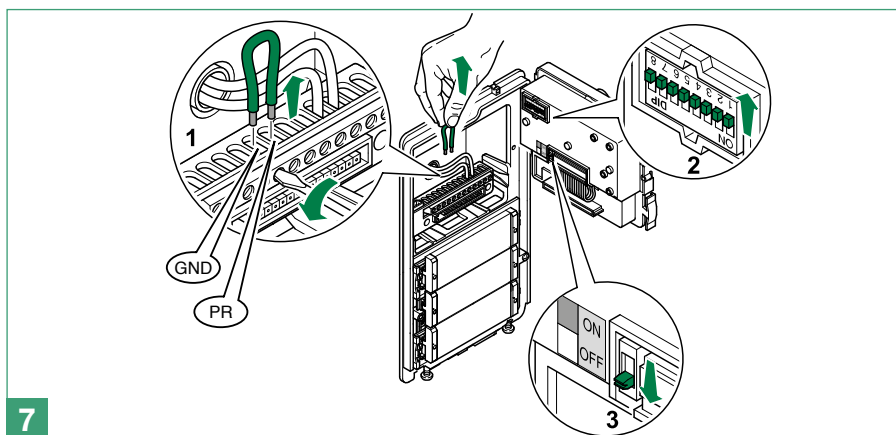
# Set the user code using the dip switches; see [addressing table](#).



# Special programmes



# Set the dip switches for the function you wish to program, see [table below](#)



CODE	DIP SWITCH ON	FUCNTION
		<b>De-misting heating element</b>
213	1,3,5,7,8	OFF (default)
212	3,5,7,8	ON
		<b>Audio-visual messages</b>
210	2,5,7,8	visual messages only
211	1,2,5,7,8	Swedish
214	2,3,5,7,8	OFF (default)
215	1,2,3,5,7,8	Italian
216	4,5,7,8	French
217	1,4,5,7,8	Spanish
218	2,4,5,7,8	Dutch
219	1,2,4,5,7,8	Greek
220	3,4,5,7,8	English
221	1,3,4,5,7,8	German
222	2,3,4,5,7,8	Portuguese
202	2,4,7,8	Enables voice message (door opened warning) when the RTE contact is closed
203	1,2,4,7,8	Disables voice message (door opened warning) when the RTE contact is closed (default setting)
		<b>Door lock</b>
223	1,2,3,4,5,7,8	Door lock command on SE in AC (default)
224	6,7,8	Door lock command on SE in enhanced AC
225	1,6,7,8	Door lock command on SE in DC
245	1,3,5,6,7,8	Door lock time: 2 sec + deactivation tone (default)
246	2,3,5,6,7,8	Door lock time: 4 sec
247	1,2,3,5,6,7,8	Door lock time: 8 sec
248	4,5,6,7,8	Door lock confirmation tone: enabled
251	1,2,4,5,6,7,8	C.NC.NO relay in parallel with SE (default)
252	3,4,5,6,7,8	Lock-release always enabled (default)
253	1,3,4,5,6,7,8	Lock-release only enabled for user called
		<b>Actuator control management</b> <b>N.B. the system should not include Art. 1256 in generic actuator mode.</b>
229	1,3,6,7,8	Enabling C.NC.NO relay on actuator control: 2 sec
230	2,3,6,7,8	Enabling C.NC.NO relay on actuator control: 4 sec
231	1,2,3,6,7,8	Enabling C.NC.NO relay on actuator control: 8 sec
228	3,6,7,8	Actuator control on serial line S: disabled (default)
227	1,2,6,7,8	Actuator control on serial line S: enabled
		<b>System functions</b>
232	4,6,7,8	Awaiting response time: 60 sec (default)
233	1,4,6,7,8	Awaiting response time: 120 sec



<b>234</b>	2,4,6,7,8	Awaiting response time: 30 sec
<b>235</b>	1,2,4,6,7,8	Talk time: 90 sec (default)
<b>236</b>	3,4,6,7,8	Talk time: 180 sec
<b>237</b>	1,3,4,6,7,8	Self-ignition: enabled (default)
<b>238</b>	2,3,4,6,7,8	Self-ignition: disabled
<b>239</b>	1,2,3,4,6,7,8	Confirmation tone on user call: enabled (default)
<b>240</b>	5,6,7,8	Confirmation tone on user call: disabled
<b>243</b>	1,2,5,6,7,8	Reset wait time: 10 sec (default)
<b>244</b>	3,5,6,7,8	Reset wait time: 1 sec
<b>208</b>	5,7,8	Reset after lock-release in audio: enabled (default)
<b>209</b>	1,5,7,8	Reset after lock-release in audio: disabled
<b>249</b>	1,4,5,6,7,8	Call transmission: single (default)
<b>250</b>	2,4,5,6,7,8	Call transmission: triple
<b>241</b>	1,5,6,7,8	Control of internal units connected to Art. 4680C: up to 70 (default)
<b>242</b>	2,5,6,7,8	Control of internal units connected to Art. 4680C: from 71 to 100
<b>System mode</b>		
<b>000</b>		Simplebus (default)
<b>255</b>	1,2,3,4,5,6,7,8	Simplebus Top
<b>254</b>	<b>2,3,4,5,6,7,8</b>	<b>Restore default</b>

## Installation information

- The module Art. 4680C / 1622VC / 1622VCF operates by default as a main external unit (timed busy signal). To set it as a secondary external unit (busy signal active for the whole time the riser is in use), set all the selector DIP switches to ON.
- When a call is transmitted from the external unit, if a busy tone is heard instead of the ringtone, this means communication with another external unit is in progress.

## System performance and layouts

For further information of system performance and to view installation layouts, click on the type of system that best meets your needs:

- [SBTOP audio/video system](#) for the creation of audio-video systems for *residential complexes*

CERTIFIED MANAGEMENT SYSTEMS



[www.comelitgroup.com](http://www.comelitgroup.com)

Via Don Arrigoni, 5 - 24020 Rovetta (BG) - Italy

