

EN

TECHNICAL
MANUAL



SB TOP

SBTOP audio/video system

 **Comelit**[®]
Passion. Technology. Design.

Warning

Intended use

This Comelit product was designed for use in the creation of audio and video communication systems in residential, commercial or industrial settings and in public buildings or buildings used by the public.

Installation

All activities connected to the installation of Comelit products must be carried out by qualified technical personnel, with careful observation of the indications provided in the Manuals / Instruction sheets supplied with those products.

Wires

Cut off the power supply before carrying out any maintenance procedures.

Use wires with a cross-section suited to the distances involved, observing the instructions provided in the system manual.

We advise against running the system wires through the same duct as the power cables (230V or higher).

Safe usage

To ensure Comelit products are used safely:

- carefully observe the indications provided in the Manuals / Instruction sheets
- make sure the system created using Comelit products has not been tampered with / damaged.

Maintenance

Comelit products do not require maintenance aside from routine cleaning, which should be carried out in accordance with the indications provided in the Manuals / Instruction sheets.

Any repair work must be carried out

- for the products themselves, exclusively by **Comelit Group S.p.A.**,
- for systems, by qualified technical personnel.

Disclaimer

Comelit Group S.p.A. does not assume any responsibility for

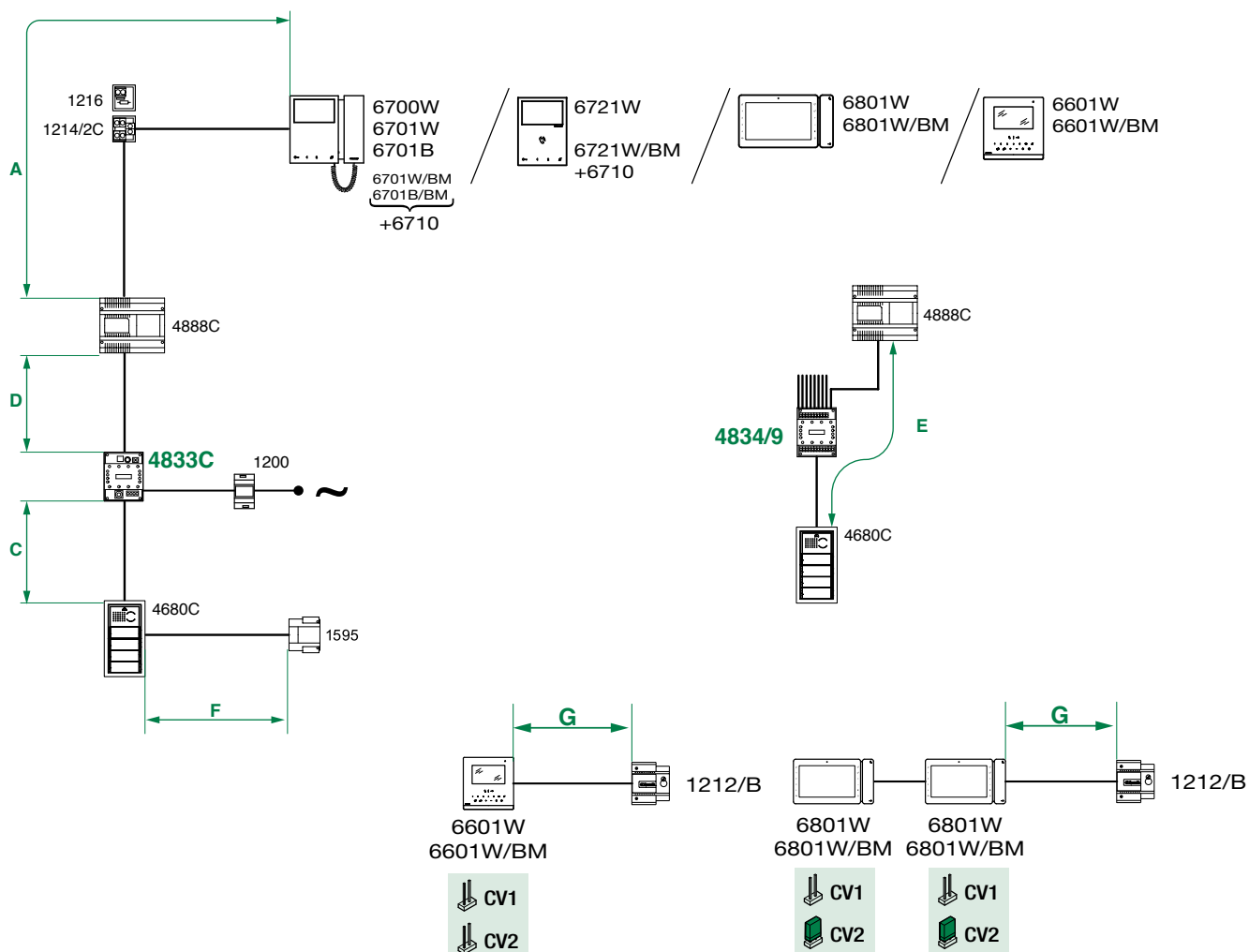
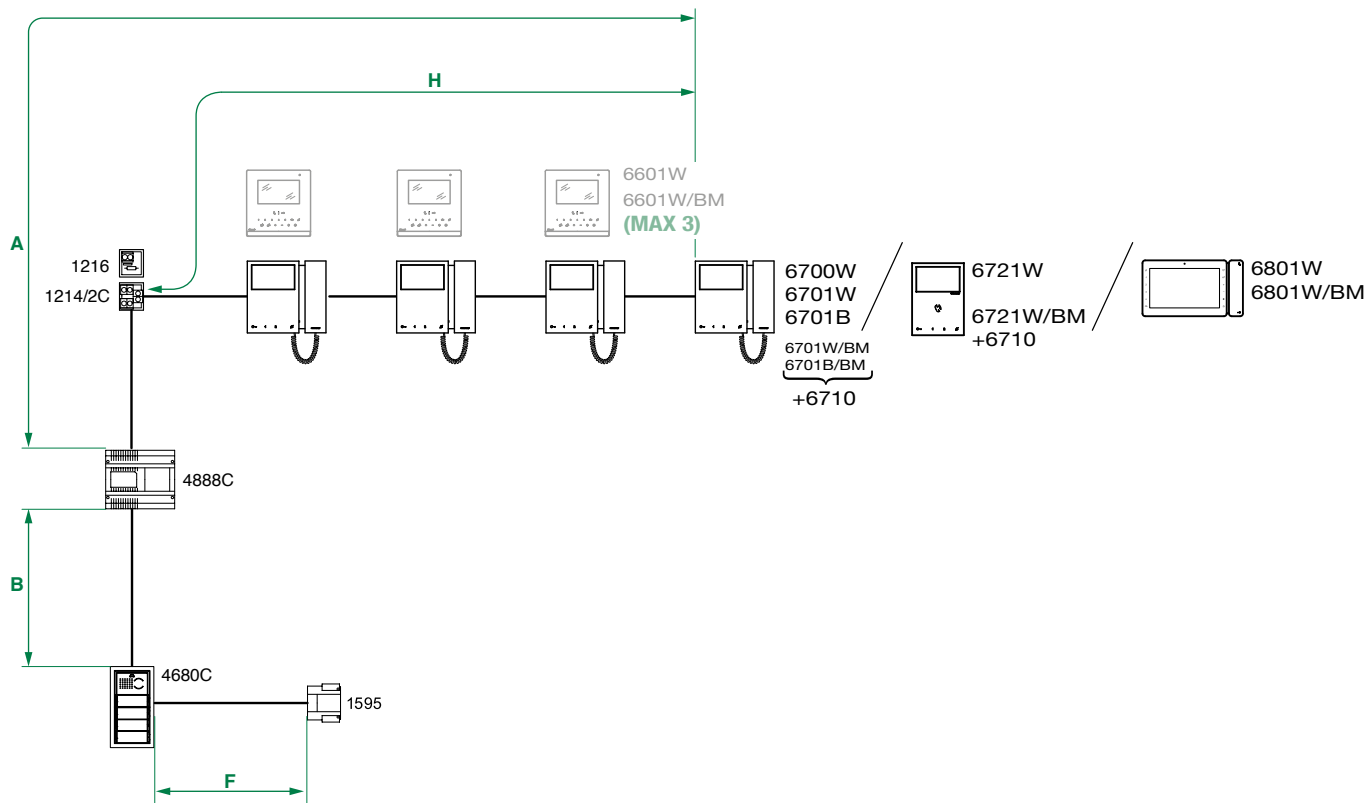
- any usage other than the intended use
- non-observance of the indications and warnings contained in this Manual / Instruction sheet.

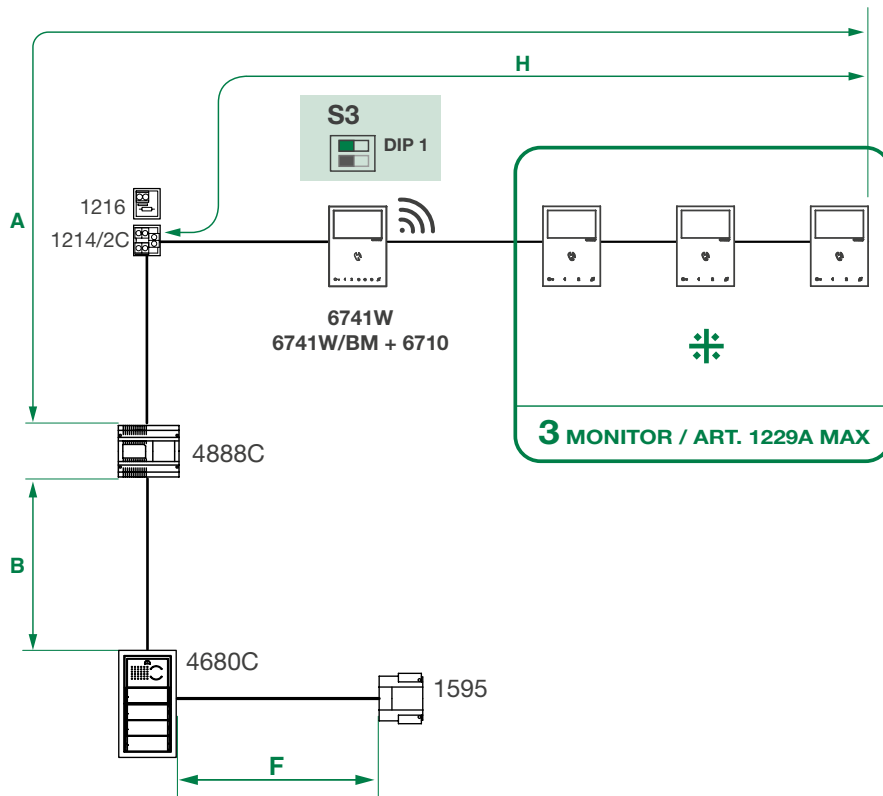
Comelit Group S.p.A. nonetheless reserves the right to change the information provided in this Manual / Instruction sheet at any time and without prior notice.

Table of contents

Warning	2	secondary entrances and the relative secondary porter switchboards. 24	
System performance.....	3	Simplebus TOP video entry phone system with 2 main entrances, 4	
Operating distances.....	4	secondary entrances and main porter switchboard	26
Operating distances with video concentrator-amplifier Art. 4933	5	Simplebus TOP video entry phone system with 2 main entrances, 1	
Maximum system expansion.....	6	main porter switchboard, 2 secondary entrances and relative porter	
Maximum expansion per apartment.....	6	switchboards.....	28
Example of maximum expansion per apartment.....	7	Simplebus TOP video entry phone system with 1 main entrance, 4	
Wiring diagrams.....	8	secondary entrances and 2 main porter switchboards in SERIES	
System with a single riser	8	configuration.	30
Variant with Digital External Unit.....	9	Simplebus TOP video entry phone system with 1 main entrance, 3	
Video entry phone system for condominiums with 1 to 4 risers with 2		secondary entrances and 2 main porter switchboards in PARALLEL	
external units.....	10	configuration.	32
Video entry phone system for condominiums with more than 4 risers..	11	Switching devices in TOP1 mode, branched KIT 8461/8451 external unit	
System with 1 main video entrance panel (max 9 secondary video units)	12	in TOP mode.....	34
Connection in cascade Art. 4834/9.	14	Switching devices in STANDARD mode, branched KIT 8461/8451	36
Connection of amplifier Art. 4833C.....	15	Switching devices in STANDARD mode, KIT 8461/8451 in cascade	
Connection in cascade with several internal units (up to 25 per branch		connection.....	38
from Art. 4888C).....	16	Switching devices in TOP1 mode, KIT 8461/8451 in cascade connection,	
Video door entry system with 1 main entrance and porter switchboard	17	with external unit in TOP mode	39
Video door entry system with 2 main entrances and porter switchboard	18	Addition of remote camera module Art. 1409	40
Video door entry system with 1 main entrance, 3 secondary video units		Addition of remote camera module Art. 1259C.....	41
and porter switchboard.....	20	System with remote camera module Art. 1259C in generic actuator mode	
Video door entry system with 2 main entrances, 3 secondary audio units		and porter switchboard.....	42
and porter switchboard.....	22		
Simplebus TOP video entry phone system with 1 main entrance, 4			


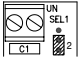



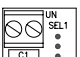

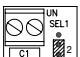

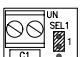

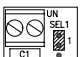

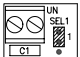

System performance



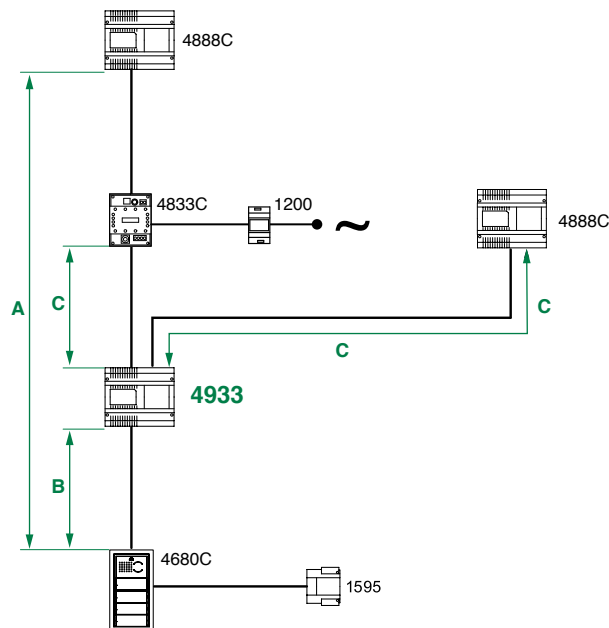


⌘ Compatible secondary monitors: 6700W, 6701W (/BM), 6701B (/BM), 6721W (/BM), 6801W (/BM)

Operating distances

	A MAX	B MAX	C MAX	D MAX	E MAX	F MAX	G MAX	H MAX	Art.1216
Comelit Art. 4577/4579 1 mm ² (Ø 1,2 mm AWG 17) 	200 m (650 feet)	200 m (650 feet)	200 m (650 feet)	200 m (650 feet)	150 m (490 feet)	50 m (165 feet)	50 m (165 feet)	100 m (330 feet)	
UTP5 cat. 5 0,2 mm ² (Ø 0,5 mm AWG 24) 	80 m (260 feet)	150 m (490 feet)	150 m (490 feet)	150 m (490 feet)	100m (330 feet)			60 m (195 feet)	
0,28 mm ² (Ø 0,6 mm AWG 23) 	100 m (330 feet)	150 m (490 feet)	150 m (490 feet)	150 m (490 feet)	100 m (330 feet)	5 m (15 feet)	10 m (30 feet)	60 m (195 feet)	
0,5 mm ² (Ø 0,8 mm AWG 20) 	120 m (395 feet)	100 m (330 feet)	100 m (330 feet)	100 m (330 feet)	80 m (260 feet)	25 m (85 feet)	25 m (82 feet)	60 m (195 feet)	
1 mm ² (Ø 1,2 mm AWG 17) 	120 m (395 feet)	150 m (490 feet)	150 m (490 feet)	150 m (490 feet)	80 m (260 feet)	50 m (165 feet)	50 m (165 feet)	60 m (195 feet)	
1 mm ² (Ø 1,2 mm AWG 17) 	120 m (395 feet)	80 m (260 feet)	80 m (260 feet)	80 m (260 feet)	50 m (165 feet)	50 m (165 feet)	50 m (165 feet)	40 m (130 feet)	
1,5 mm ² (Ø 1,4 mm AWG 15) 	150 m (490 feet)	100 m (330 feet)	100 m (330 feet)	100 m (330 feet)	80 m (260 feet)	75 m (245 feet)	100 m (330 feet)	60 m (195 feet)	
2,5 mm ² (Ø 1,8 mm AWG 13) 	150 m (490 feet)	100 m (330 feet)	100 m (330 feet)	100 m (330 feet)	80 m (260 feet)	100 m (330 feet)	150 m (490 feet)	60 m (195 feet)	

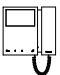


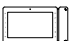

Operating distances with video concentrator-amplifier Art. 4933



	A MAX *	B MAX	C MAX	
			NORMAL GAIN	HIGH GAIN
Comelit Art. 4577/4579 1 mm ² (Ø 1,2 mm AWG 17) 	600 m (1965 feet)	200 m (655 feet)	300 m (985 feet)	600 m (1965 feet)
Comelit Art. 4576/4578 0,5 mm ² (Ø 0,8 mm AWG 20) 	300 m (985 feet)	200 m (655 feet)	300 m (985 feet)	600 m (1965 feet)
UTP5 cat. 5 0,2 mm ² (Ø 0,5 mm AWG 24) 	150 m (495 feet)	150 m (495 feet)	200 m (655 feet)	300 m (985 feet)
0,28 mm ² (Ø 0,6 mm AWG 23) 	200 m (655 feet)	150 m (495 feet)	200 m (655 feet)	300 m (985 feet)
0,5 mm ² (Ø 0,8 mm AWG 20) 	300 m (985 feet)	100 m (325 feet)	200 m (655 feet)	300 m (985 feet)
1 mm ² (Ø 1,2 mm AWG 17) 	600 m (1965 feet)	150 m (495 feet)	200 m (655 feet)	300 m (985 feet)
1 mm ² (Ø 1,2 mm AWG 17) 	600 m (1965 feet)	80 m (260 feet)	100 m (325 feet)	150 m (495 feet)
1,5 mm ² (Ø 1,4 mm AWG 15) 	700 m (2295 feet)	100 m (325 feet)	200 m (655 feet)	300 m (985 feet)

* For greater distances, please contact **Comelit Group S.p.A.** for information on using the data amplifier Art. 1236, to be installed before Art. 4933.

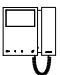


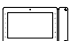

Maximum system expansion

Devices	 6700W 6701W(/BM) 6701B(/BM)	 6721W(/BM)	 6601W(/BM)	 6801W(/BM)	 6741W(/BM)
Maximum number of internal units that can be powered from Art. 4888C	100	100	100	100	100* (4888C with R.I. ≥053) 50* (4888C with R.I. ≥021 ≤052)
Call repetition devices that can be used	1229A	1229A	1229A 1229#	1229A 1229#	1229A

* For further information, see the manual of Art. 6741W

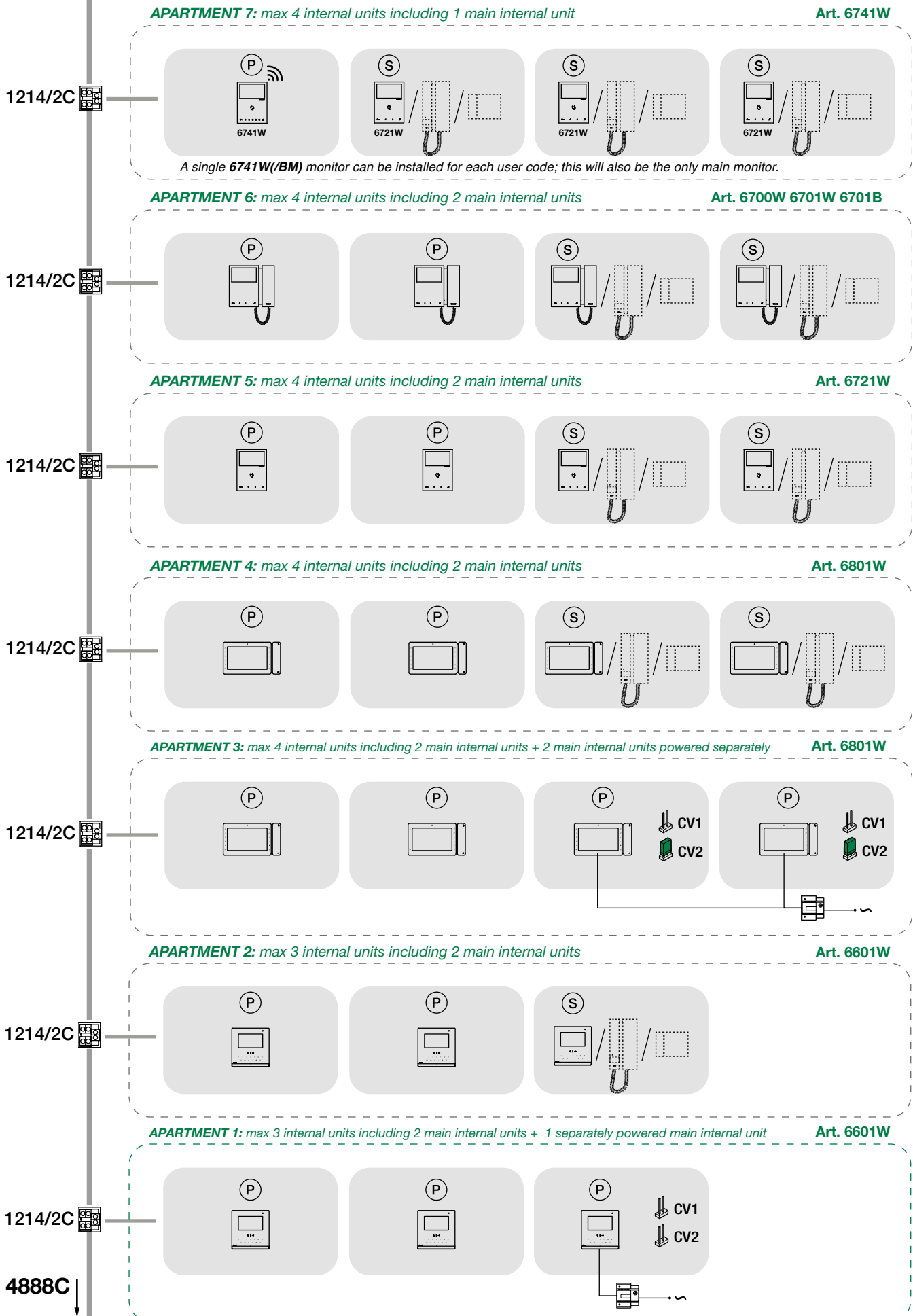
For installation information and limits, consult the relative manual.

Maximum expansion per apartment

Devices	 6700W 6701W(/BM) 6701B(/BM)	 6721W(/BM)	 6601W(/BM)	 6801W(/BM)	 6741W(BM)
Maximum number of internal units (including call repetition devices) with the same user code	4	4	3	4	1*
Maximum number of main internal units powered from the riser	2	2	2	2	1
Maximum number of main internal units that can be powered from Art. 1212/B	/	/	1	2	/

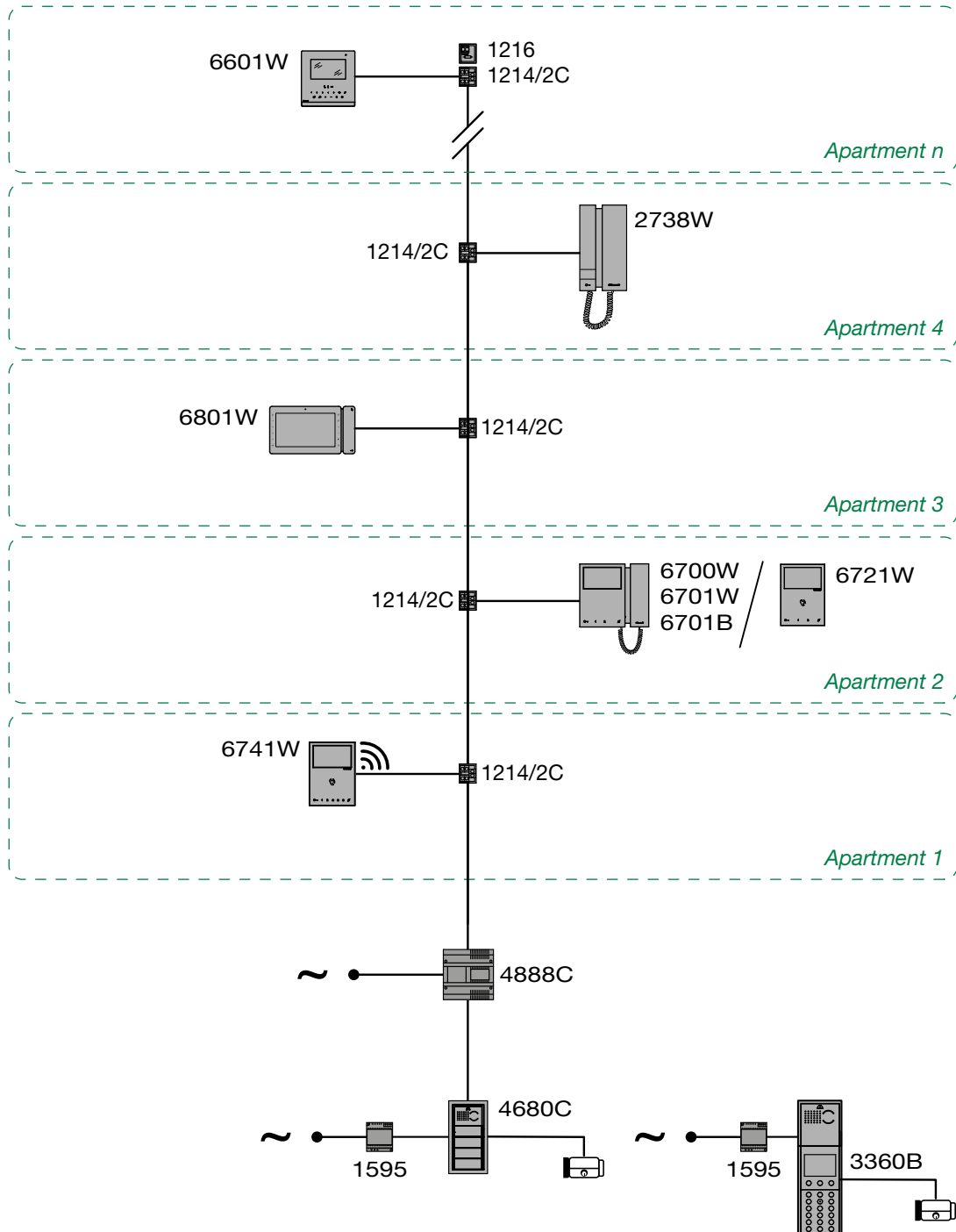
* A single **6741W(/BM)** monitor can be installed for each user code; this will also be the only main monitor.
Up to 3 secondary monitors can be added (6700W, 6701W (/BM), 6701B (/BM), 6721W (/BM), 6801W (/BM)).

Example of maximum expansion per apartment

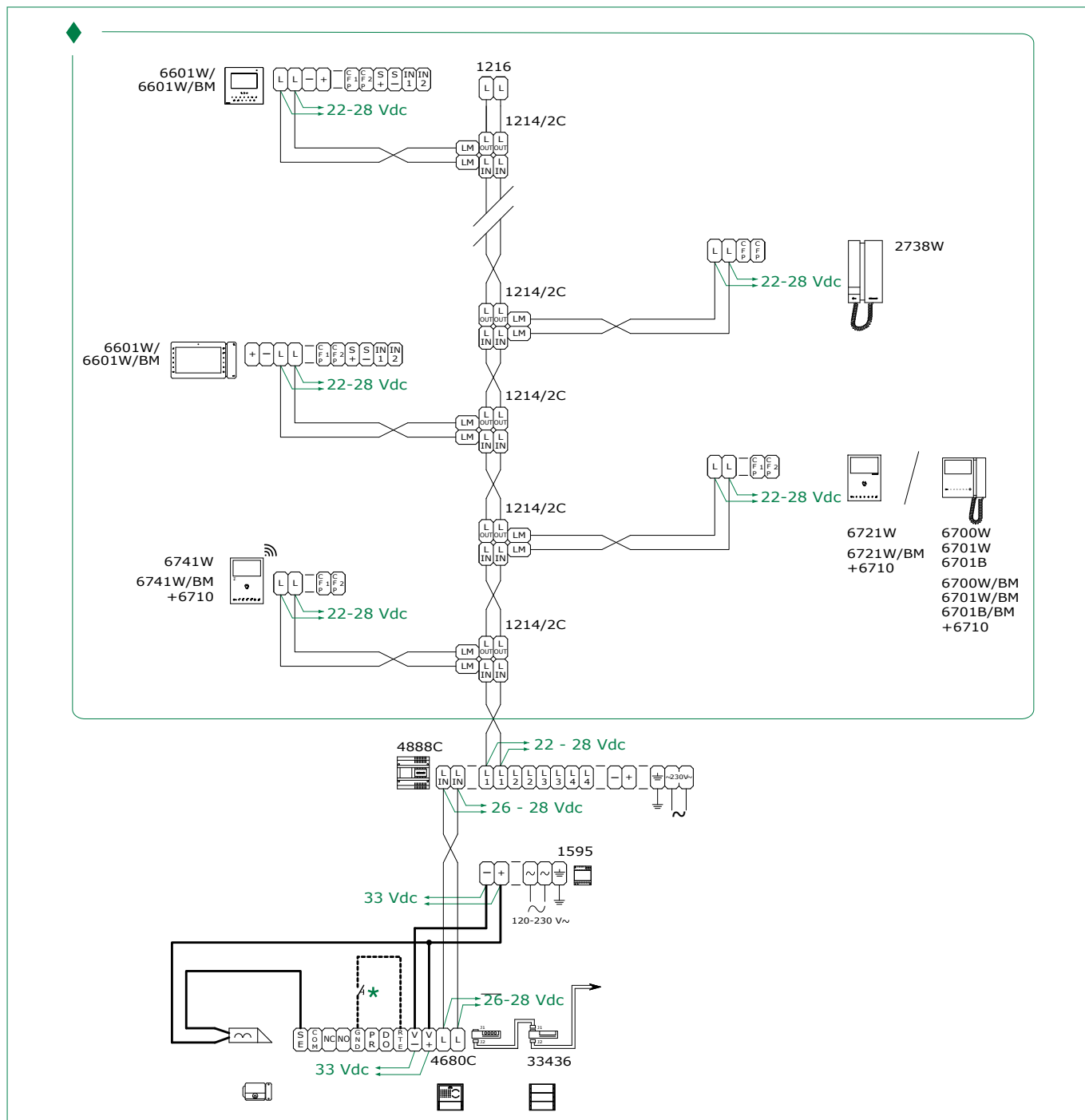


Wiring diagrams

System with a single riser

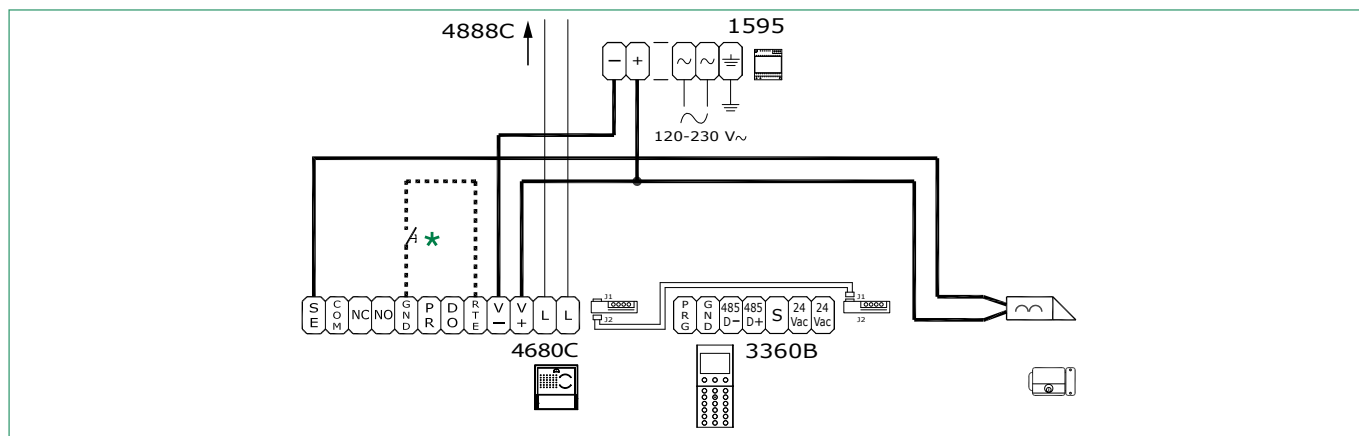


◆ VIDEO ENTRY SYSTEM RISER



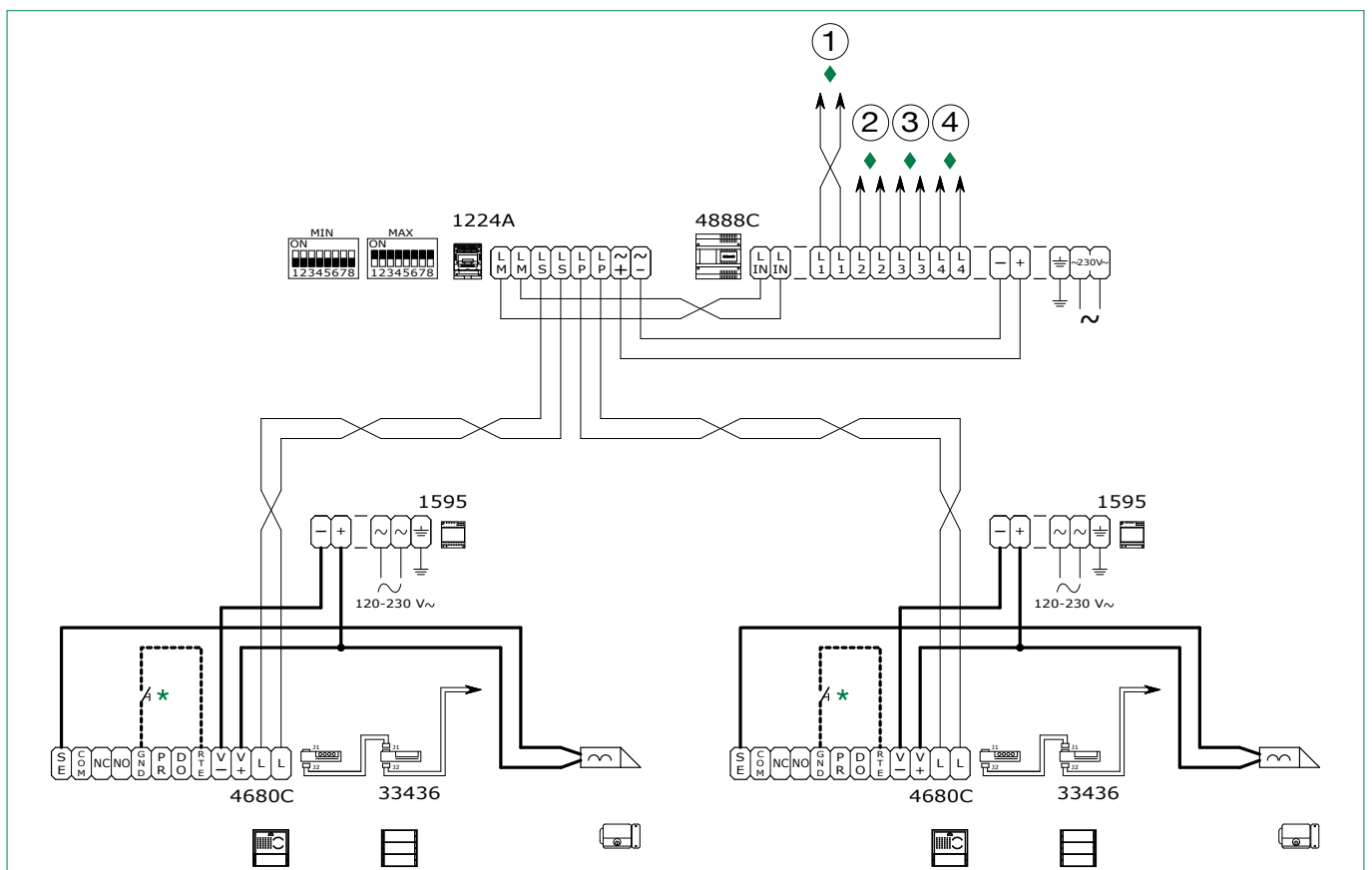
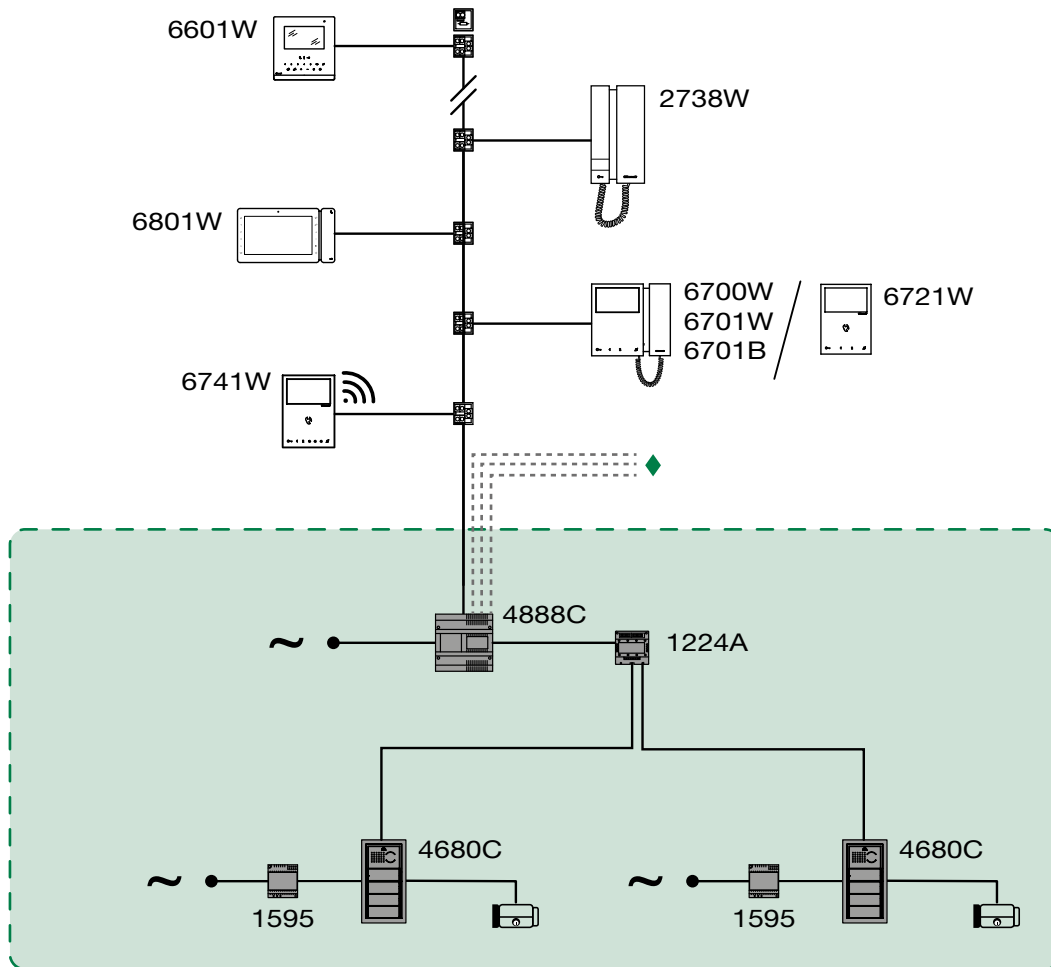
★ 20 m MAX. Local lock-release button.

Variant with Digital External Unit



★ 20 m MAX. Local lock-release button.

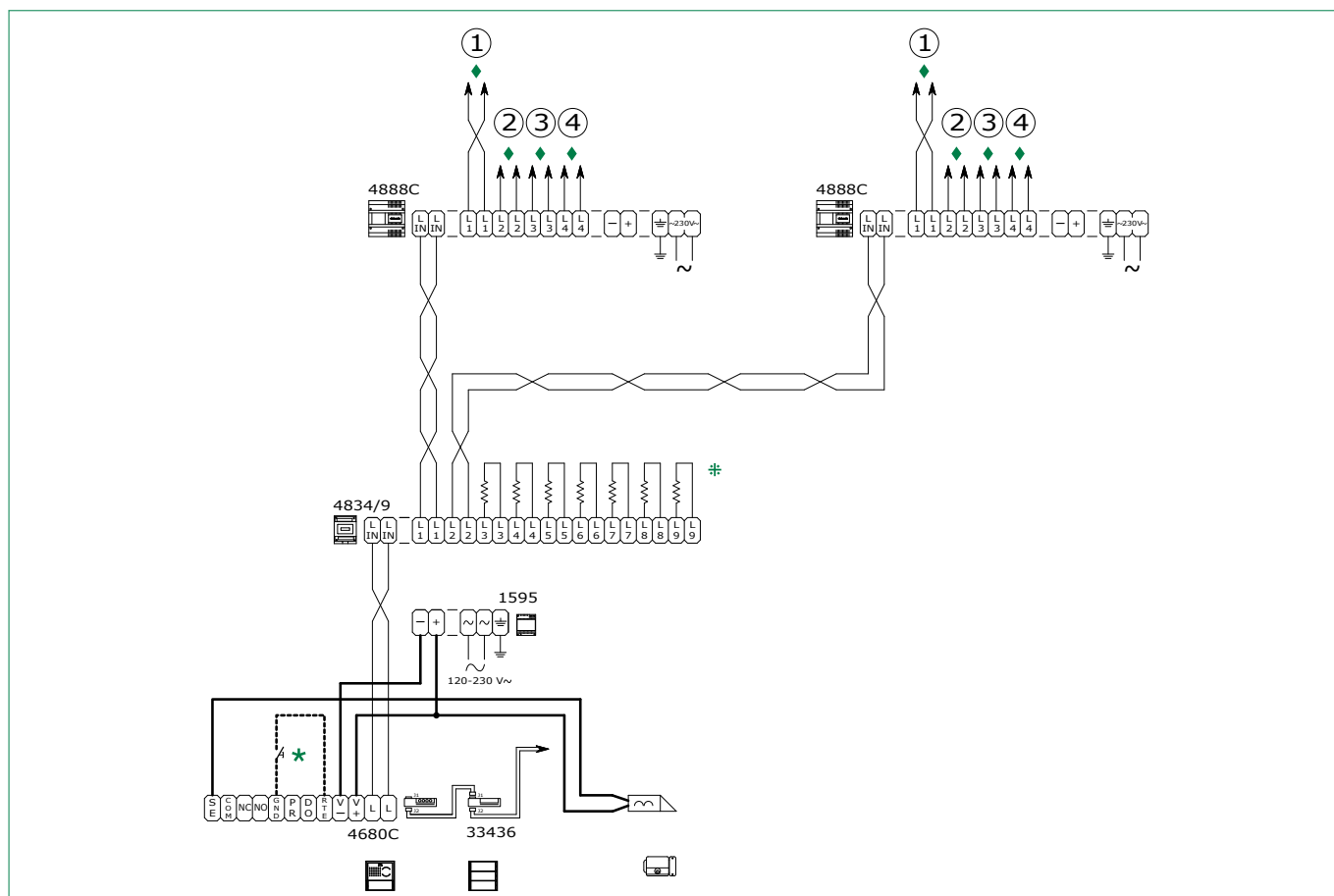
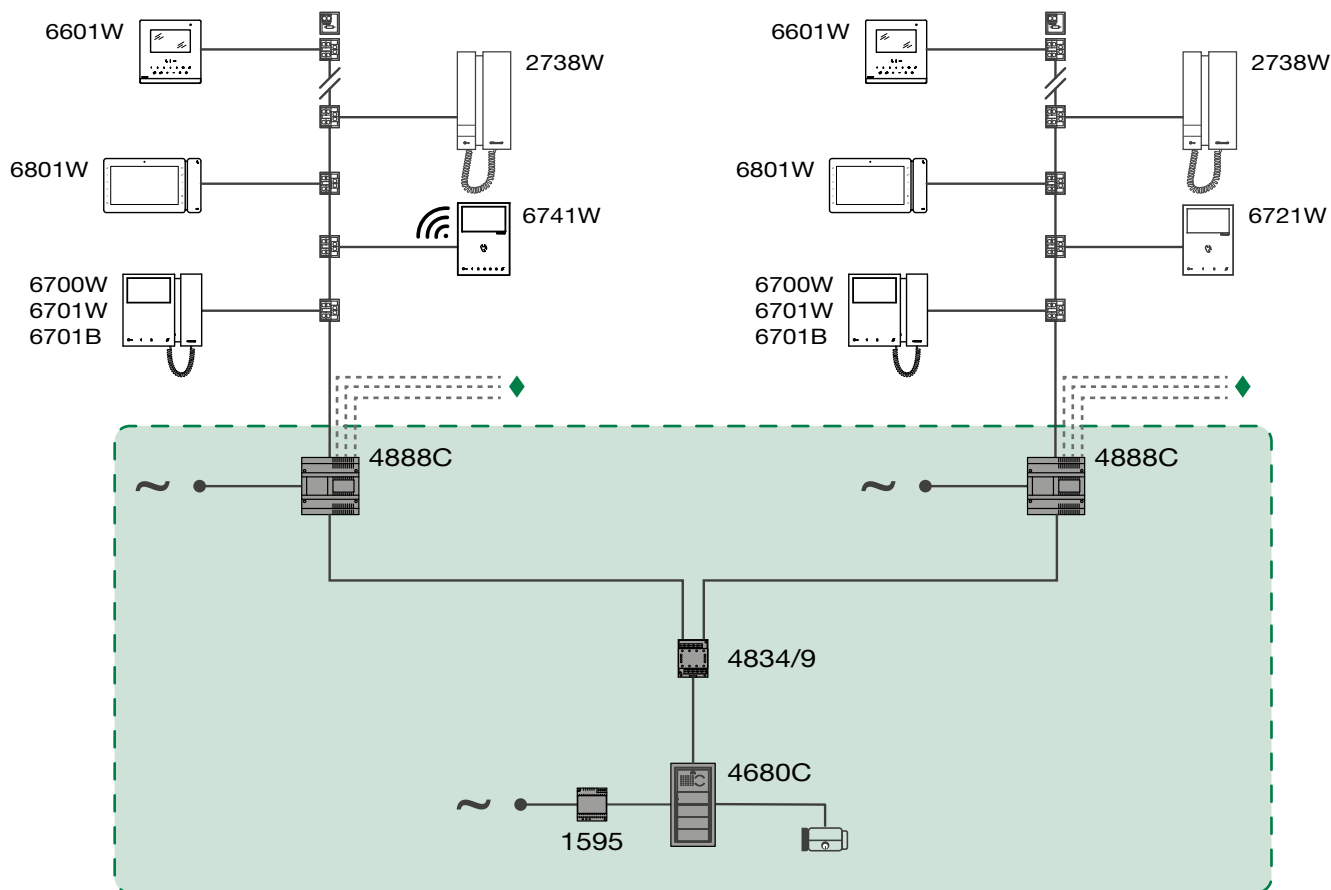
Video entry phone system for condominiums with 1 to 4 risers with 2 external units



◆ Video door entry system riser (see: **"VIDEO ENTRY SYSTEM RISER"**)

★ 20 m MAX. Local lock-release button.

Video entry phone system for condominiums with more than 4 risers

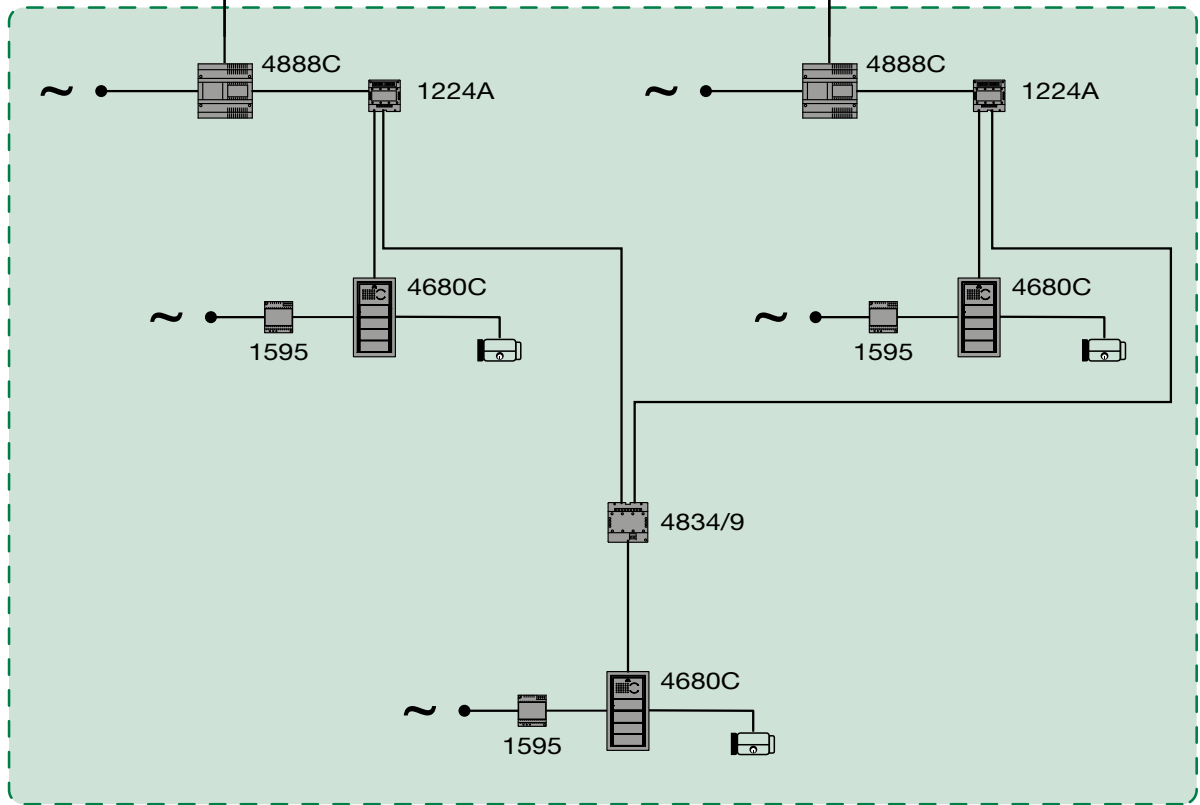
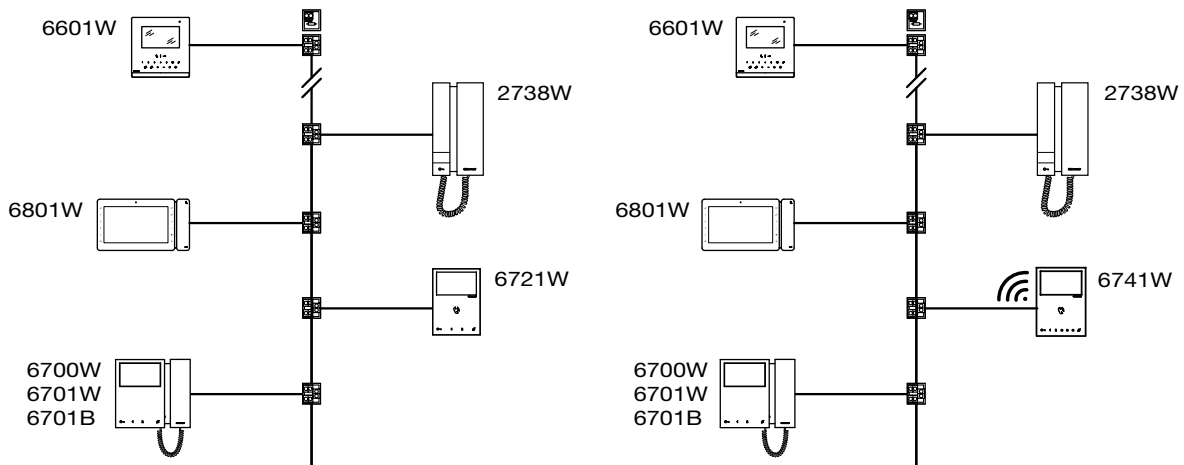


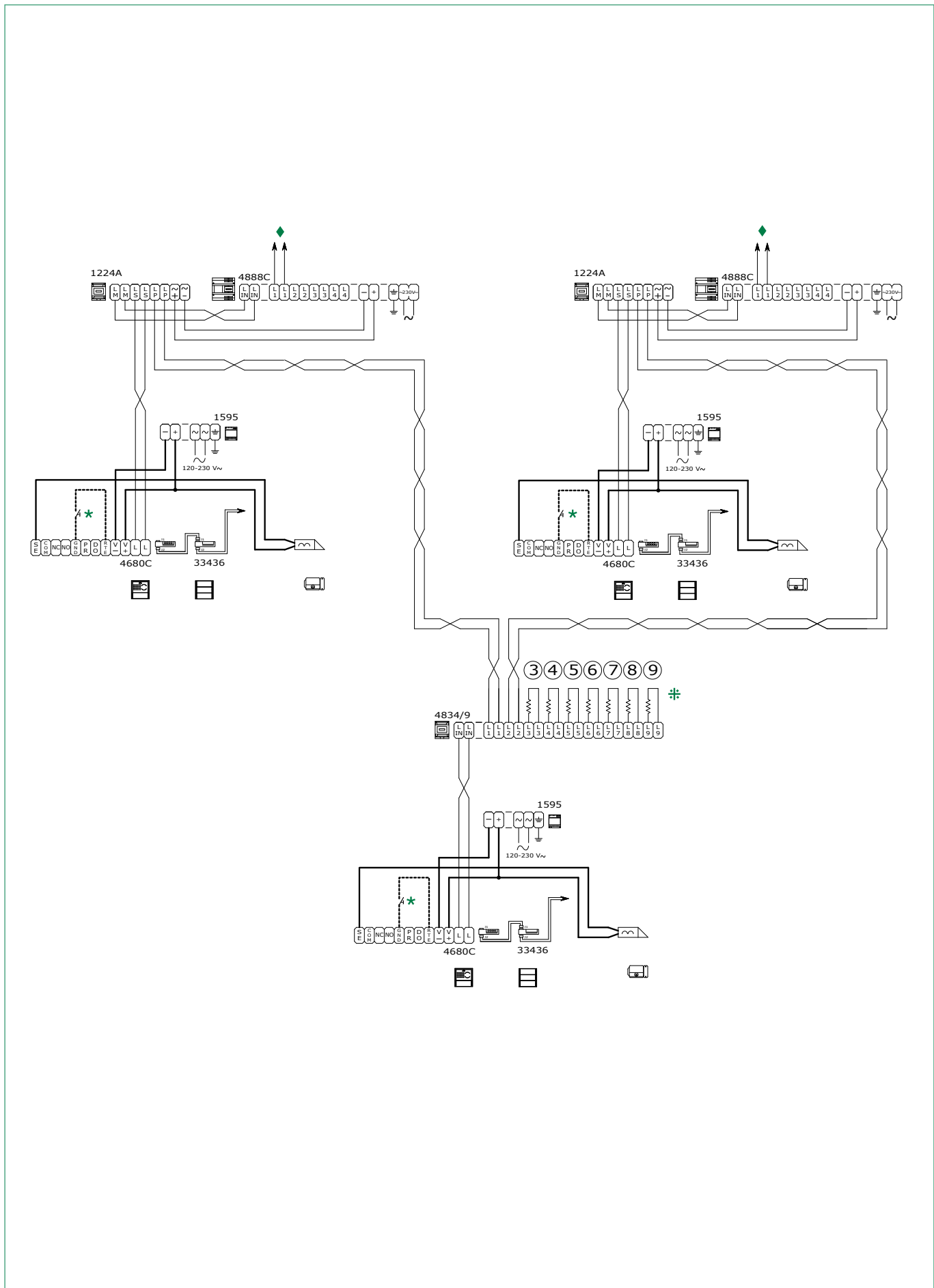
◆ Video door entry system riser (see: **“VIDEO ENTRY SYSTEM RISER”**)

★ 20 m MAX. Local lock-release button.

‡ Only cut off the resistance of the output used.

System with 1 main video entrance panel (max 9 secondary video units)



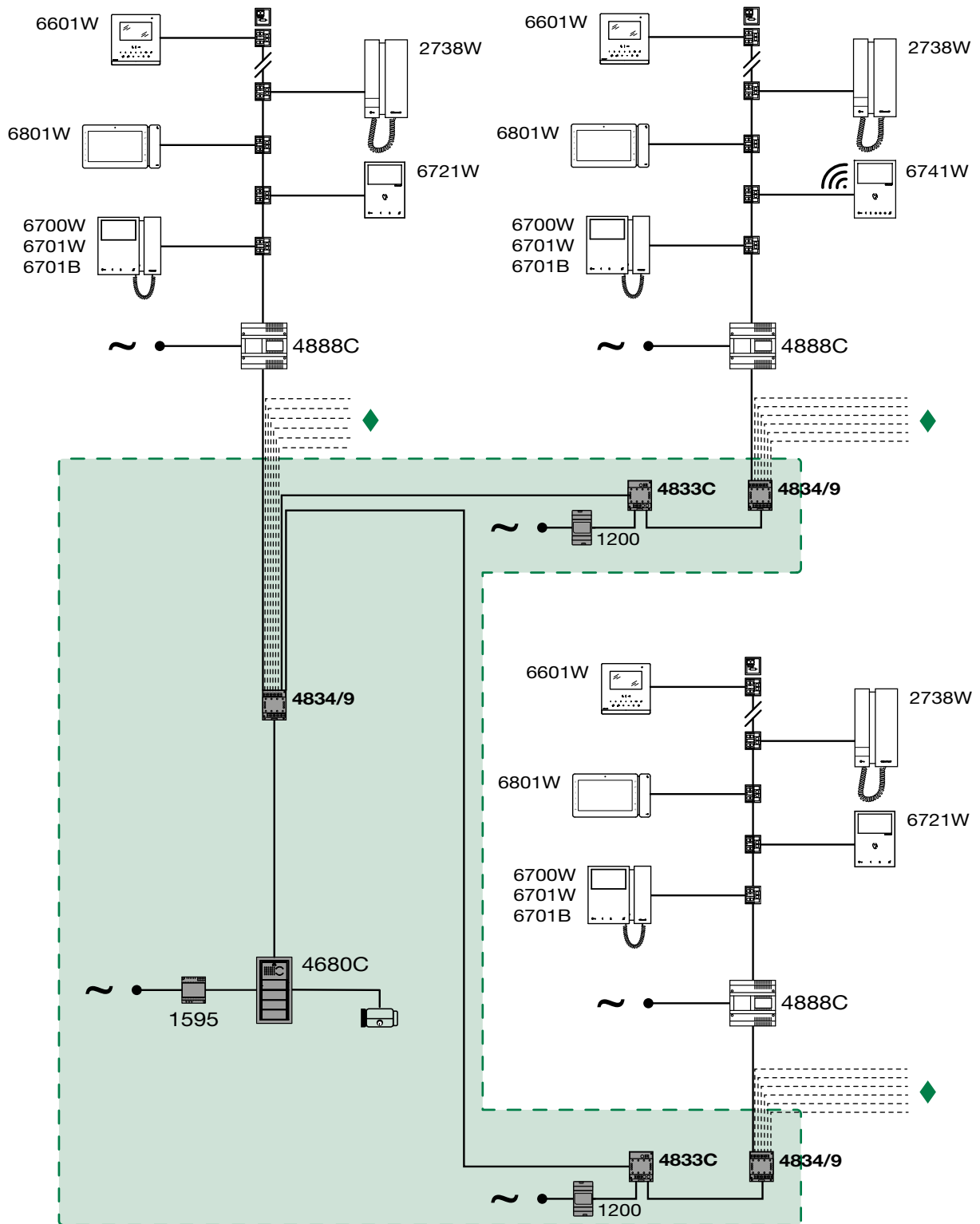


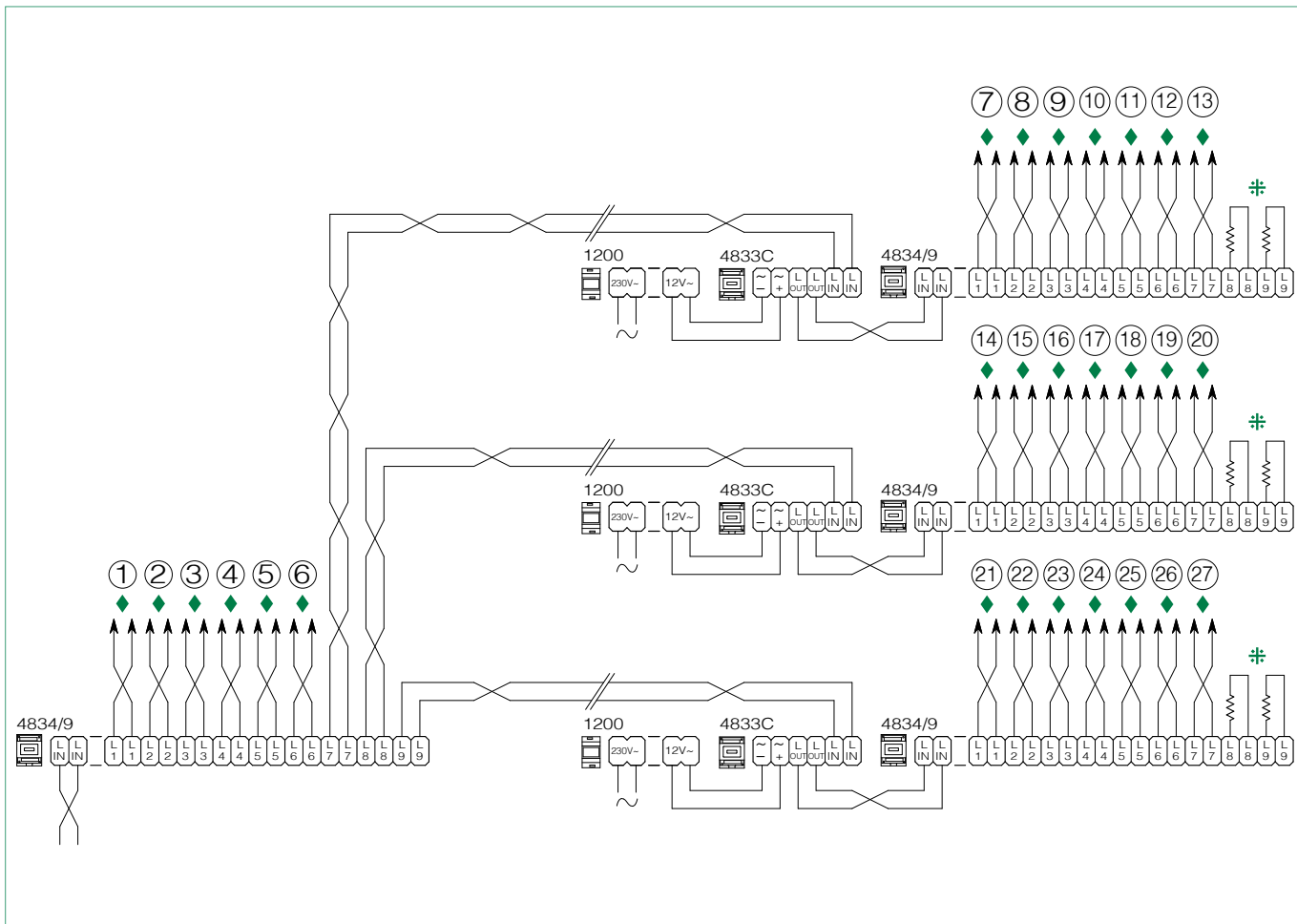
◆ Video door entry system riser (see: **“VIDEO ENTRY SYSTEM RISER”**)

★ **20 m MAX.** Local lock-release button.

‡ Only cut off the resistance of the output used.

Connection in cascade Art. 4834/9.

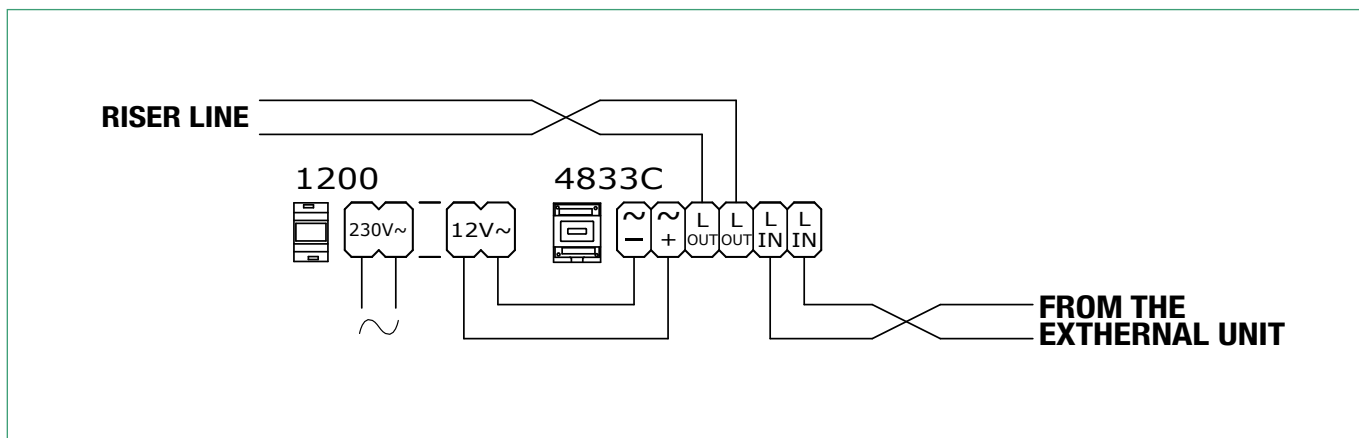




◆ Video door entry system riser (see: **“VIDEO ENTRY SYSTEM RISER”**)

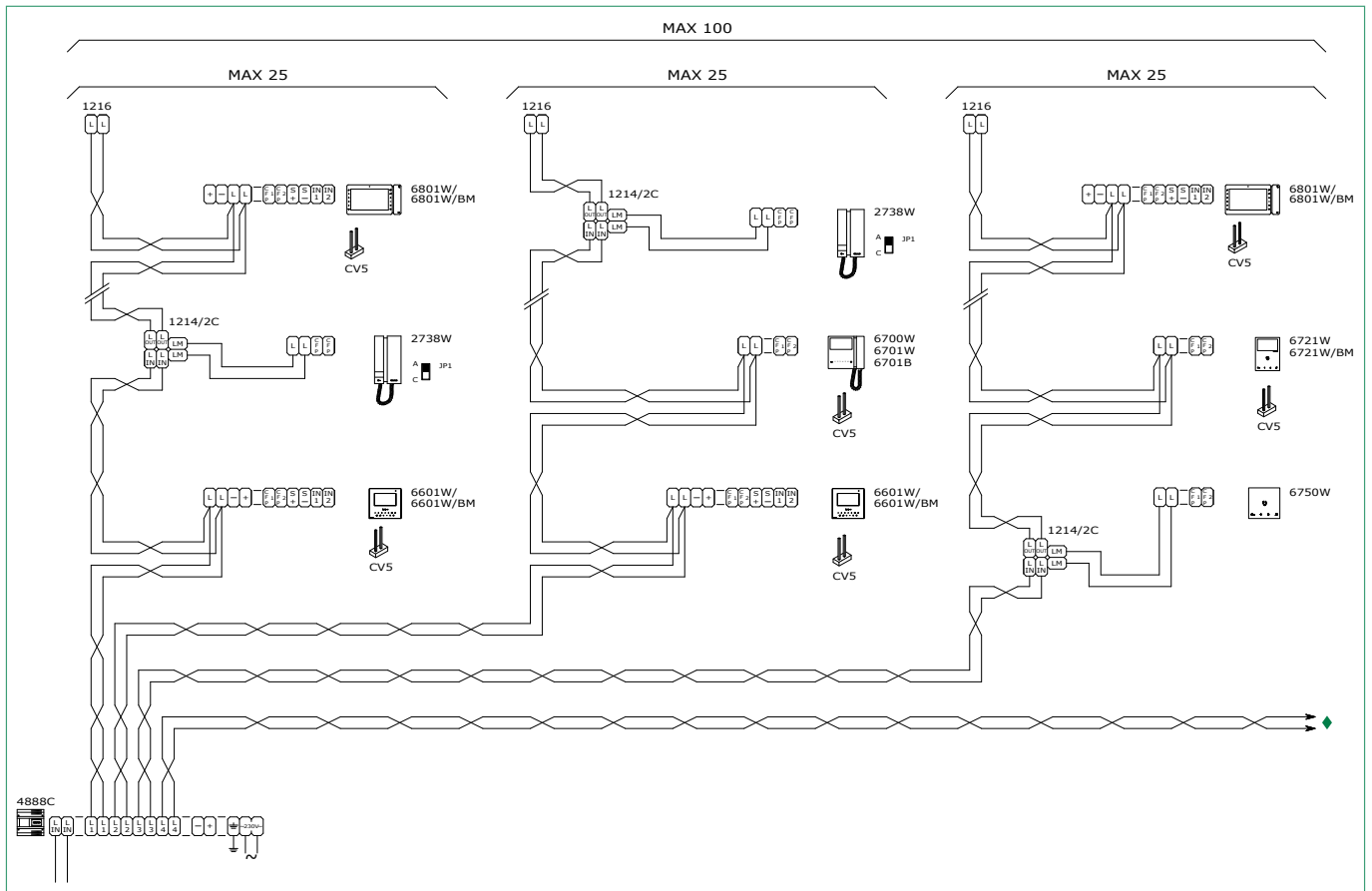
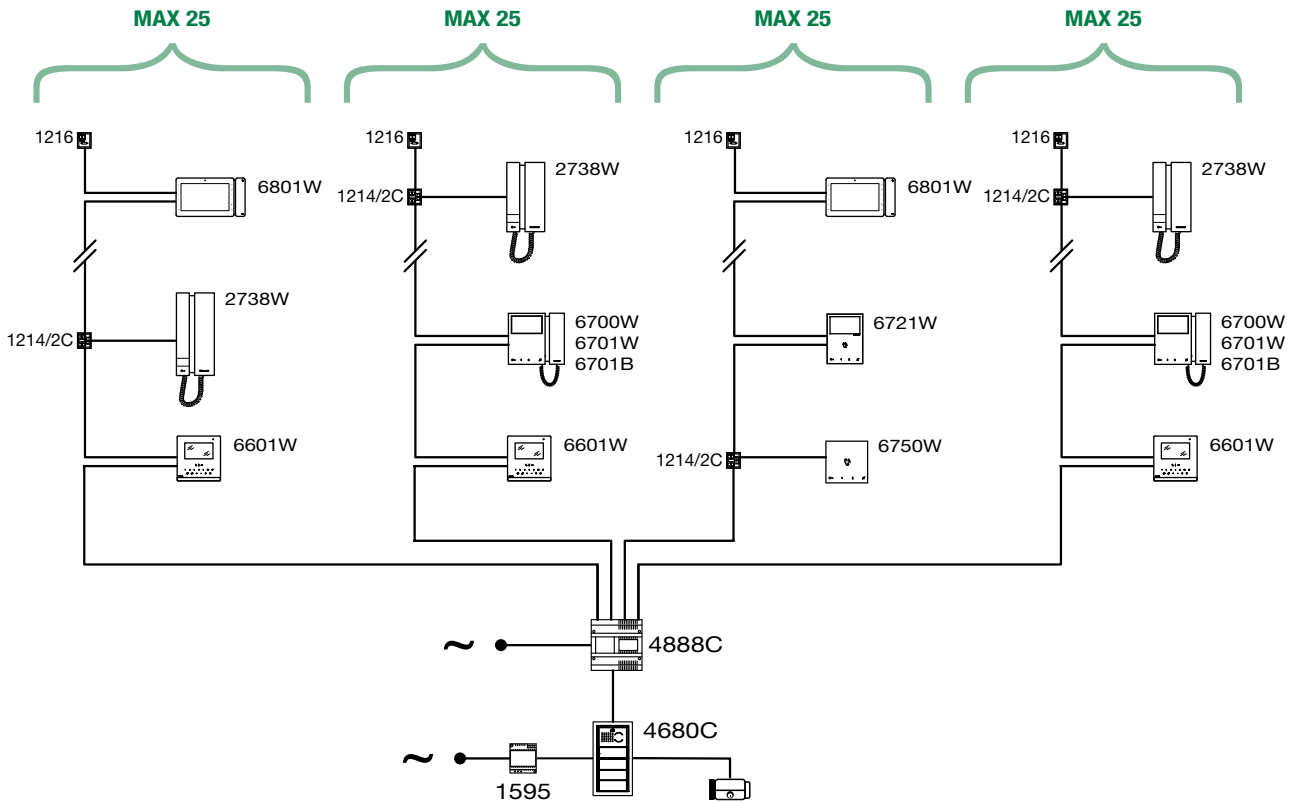
⚡ Only cut off the resistance of the output used.

Connection of amplifier Art. 4833C

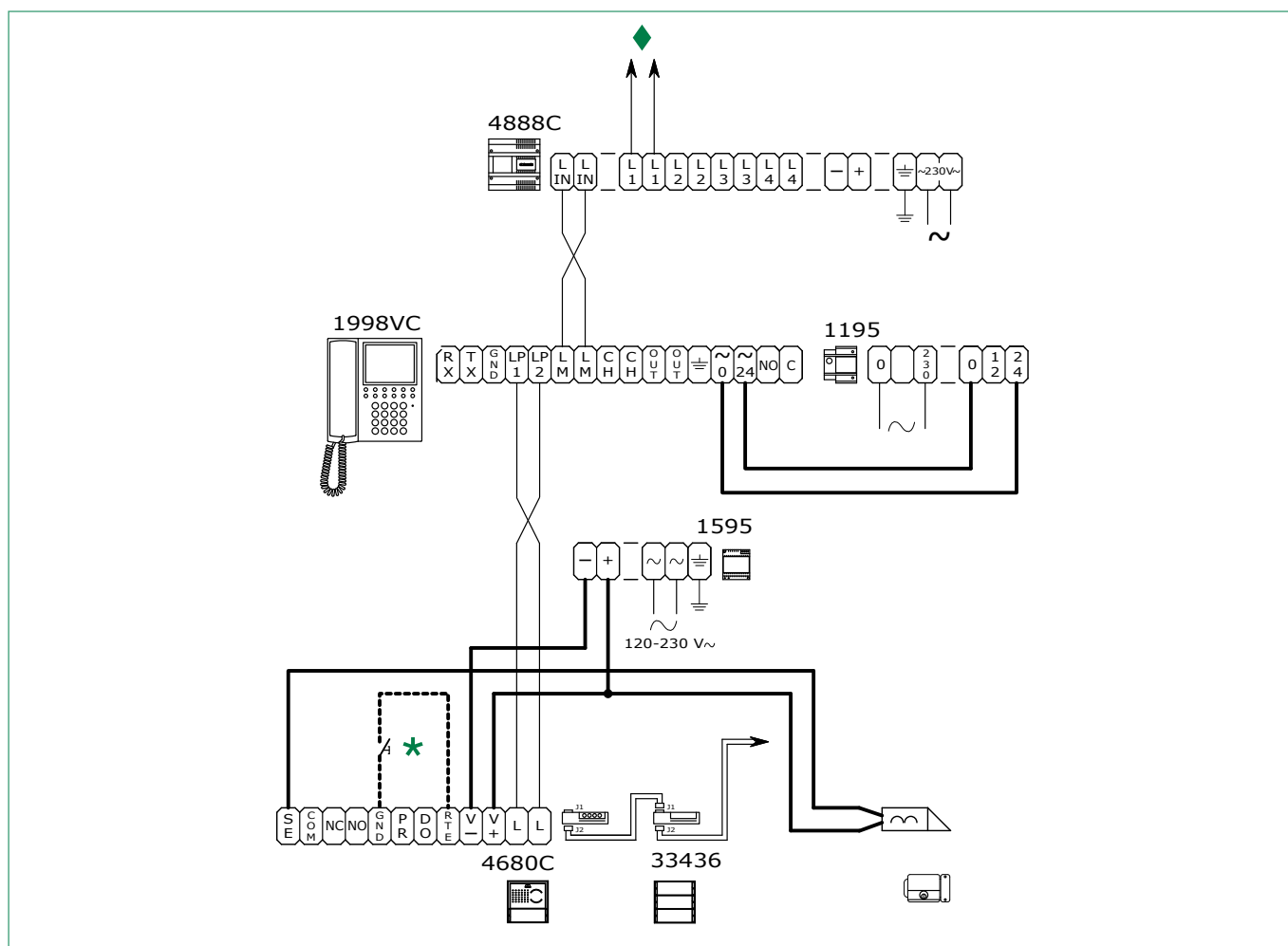
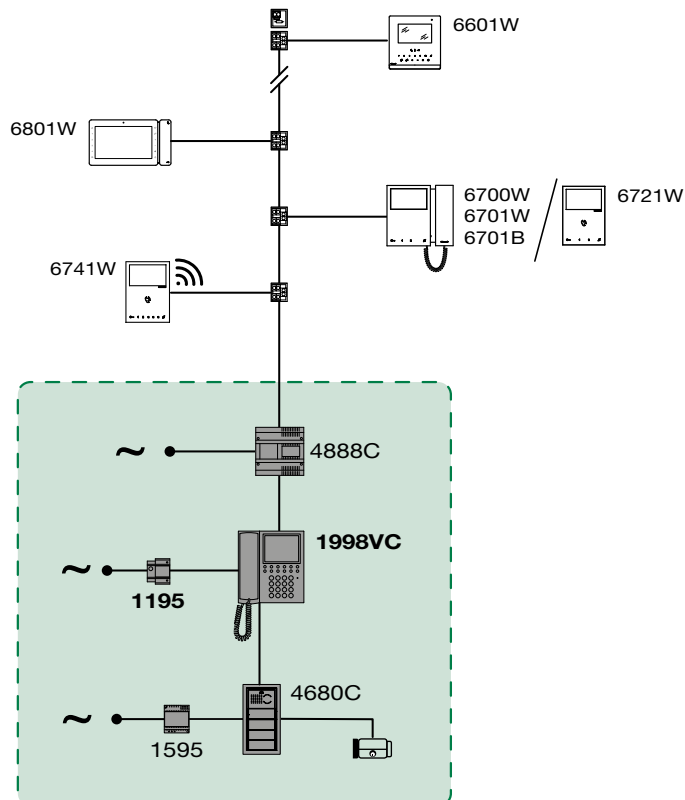


Connection in cascade with several internal units (up to 25 per branch from Art. 4888C)

In the case of connection in cascade, the **MAX** number of internal units (monitors or telephones) that can be connected for each riser branch of the Mixer-power supply Art. 4888C is 25. Each door-entry phone Art. 2738W and Art. 6750W must be preceded by an Art. 1214/2C. For the maximum distances permitted between the furthest internal unit and the Mixer-power supply Art. 4888C according to the cables used, please refer to the column **A** in the **“Operating distances”** table.



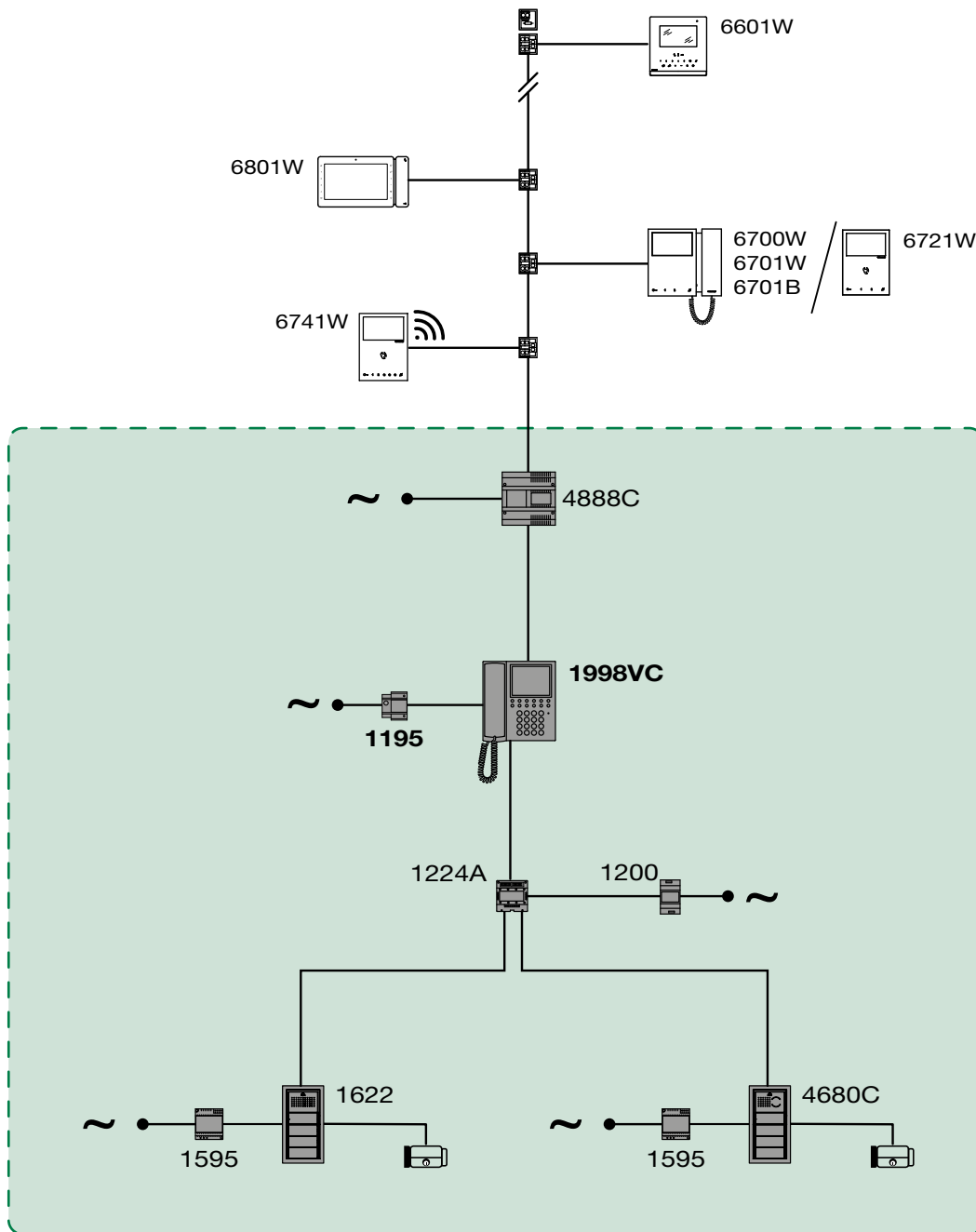
Video door entry system with 1 main entrance and porter switchboard

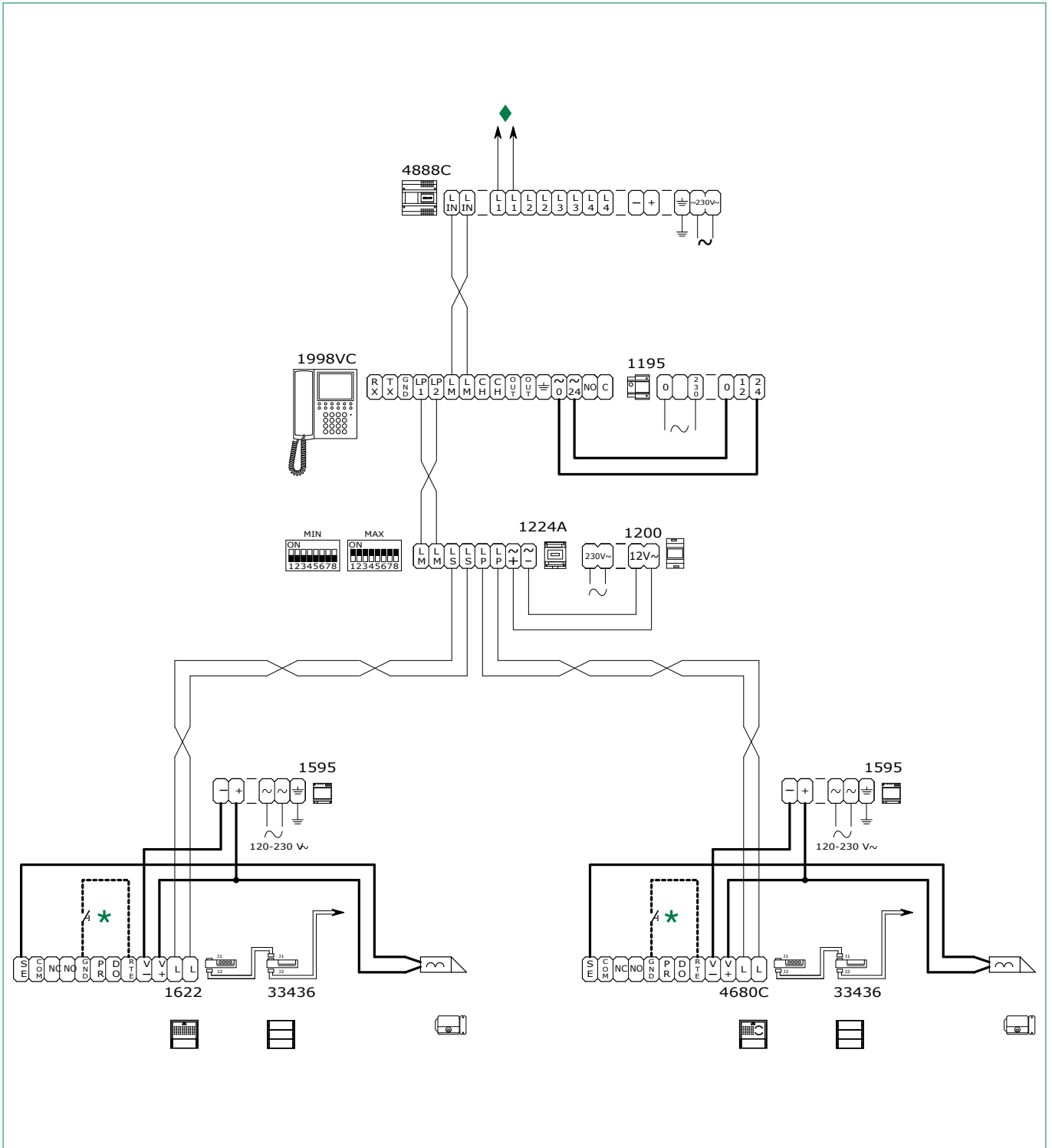


◆ Video door entry system riser (see: **“VIDEO ENTRY SYSTEM RISER”**)

★ 20 m MAX. Local lock-release button.

Video door entry system with 2 main entrances and porter switchboard

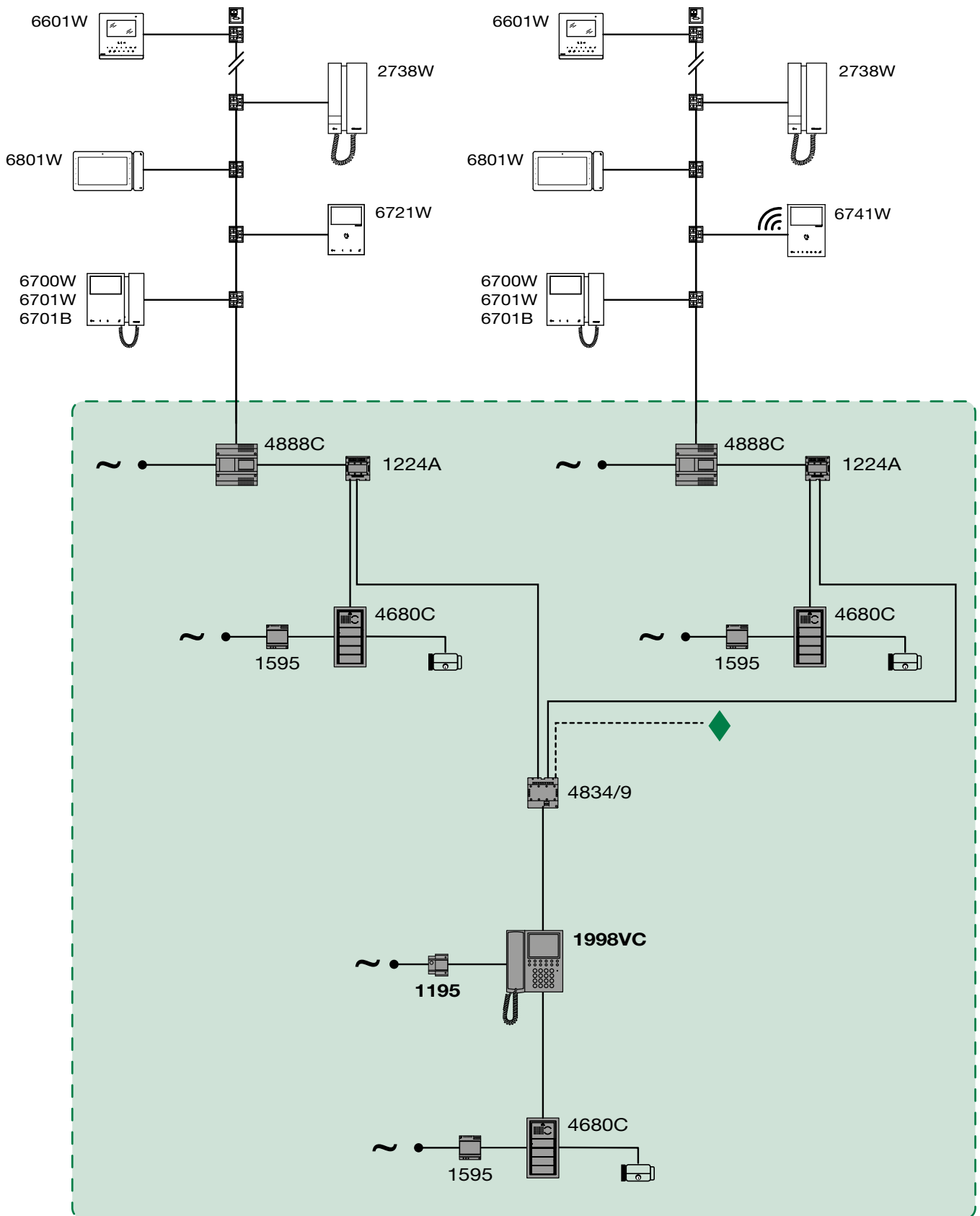


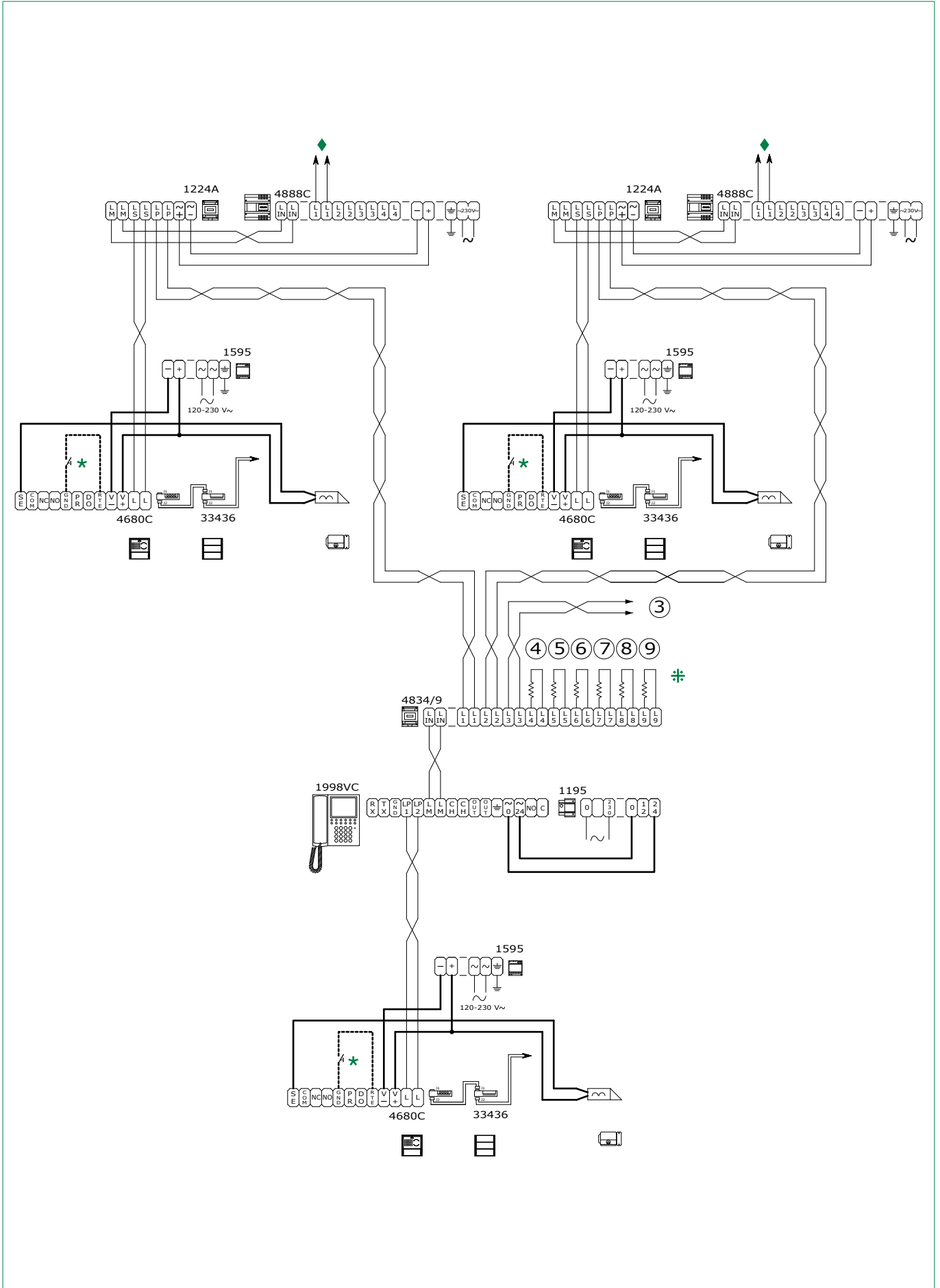


◆ Video door entry system riser (see: **["VIDEO ENTRY SYSTEM RISER"](#)**)

★ **20 m MAX.** Local lock-release button.

Video door entry system with 1 main entrance, 3 secondary video units and porter switchboard



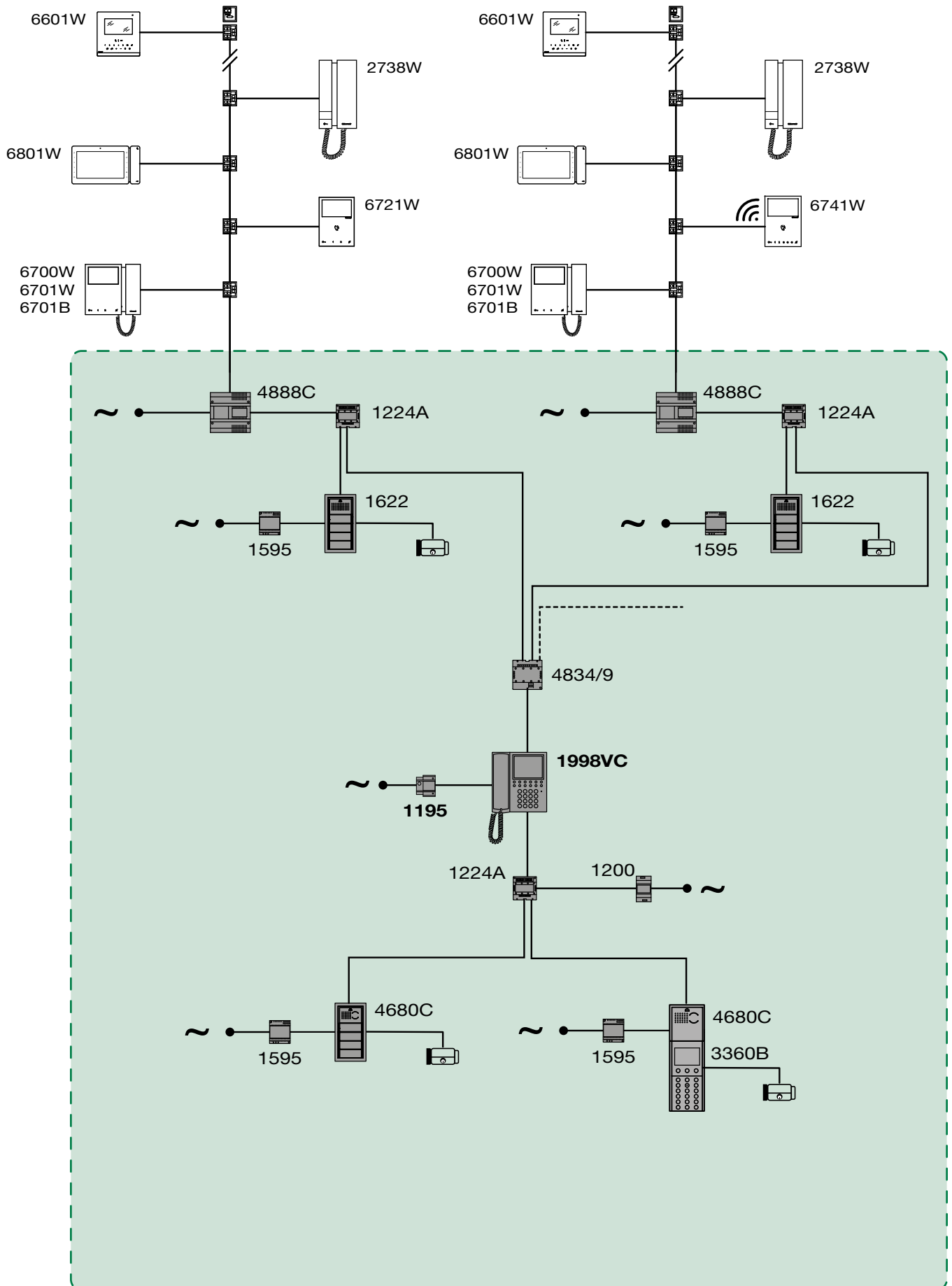


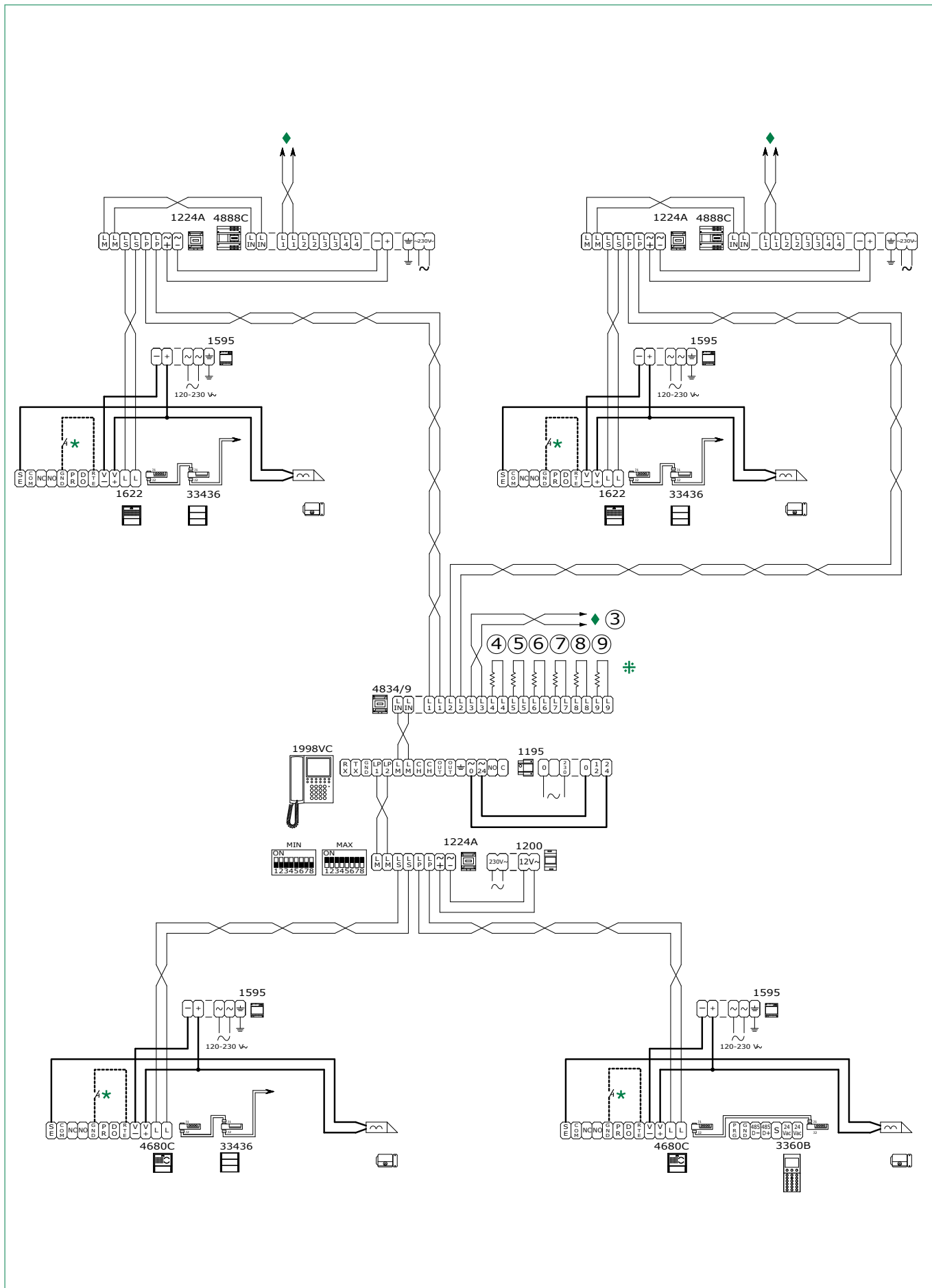
◆ Video door entry system riser (see: **“VIDEO ENTRY SYSTEM RISER”**)

✱ **20 m MAX.** Local lock-release button.

✧ Only cut off the resistance of the output used.

Video door entry system with 2 main entrances, 3 secondary audio units and porter switchboard



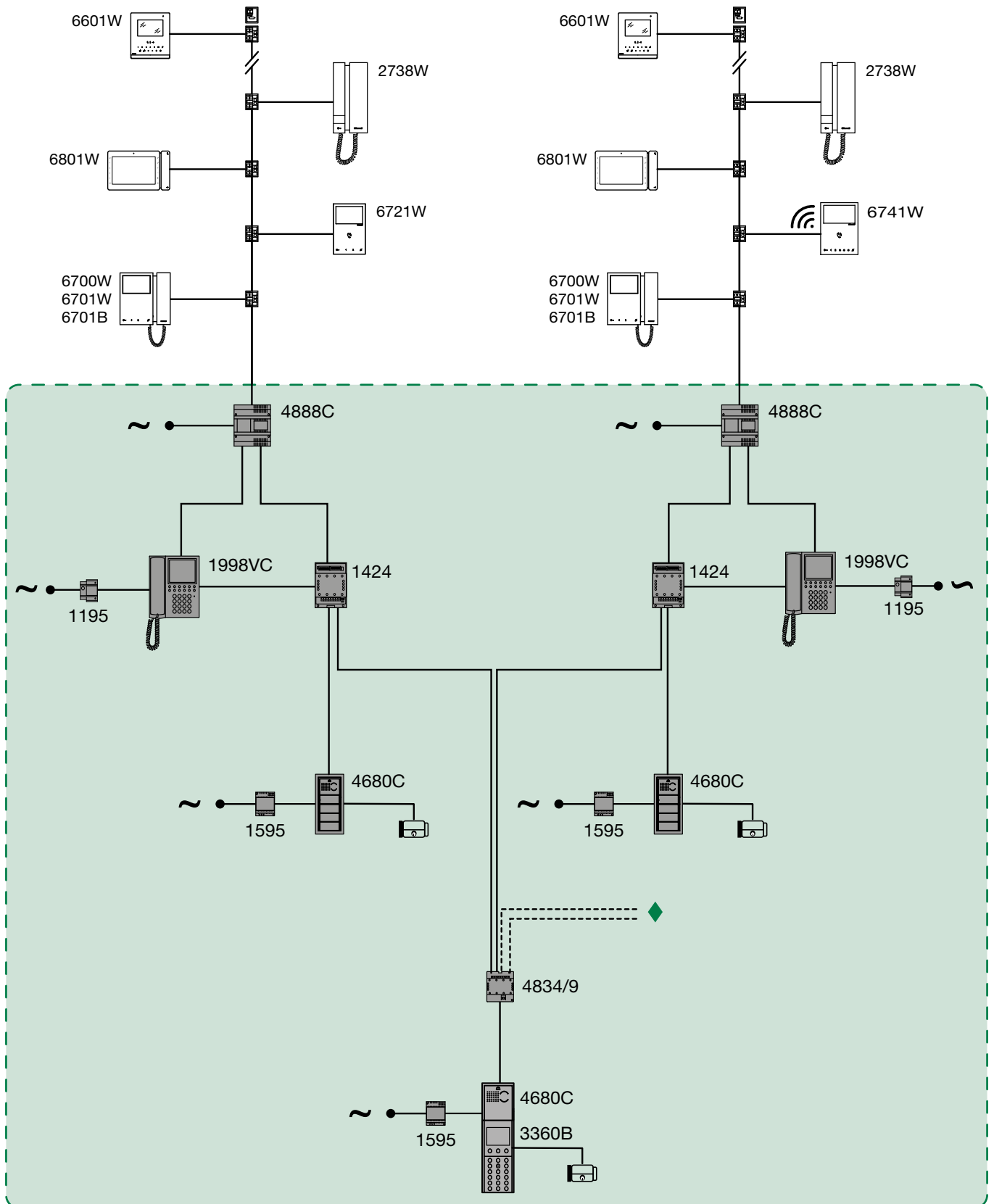


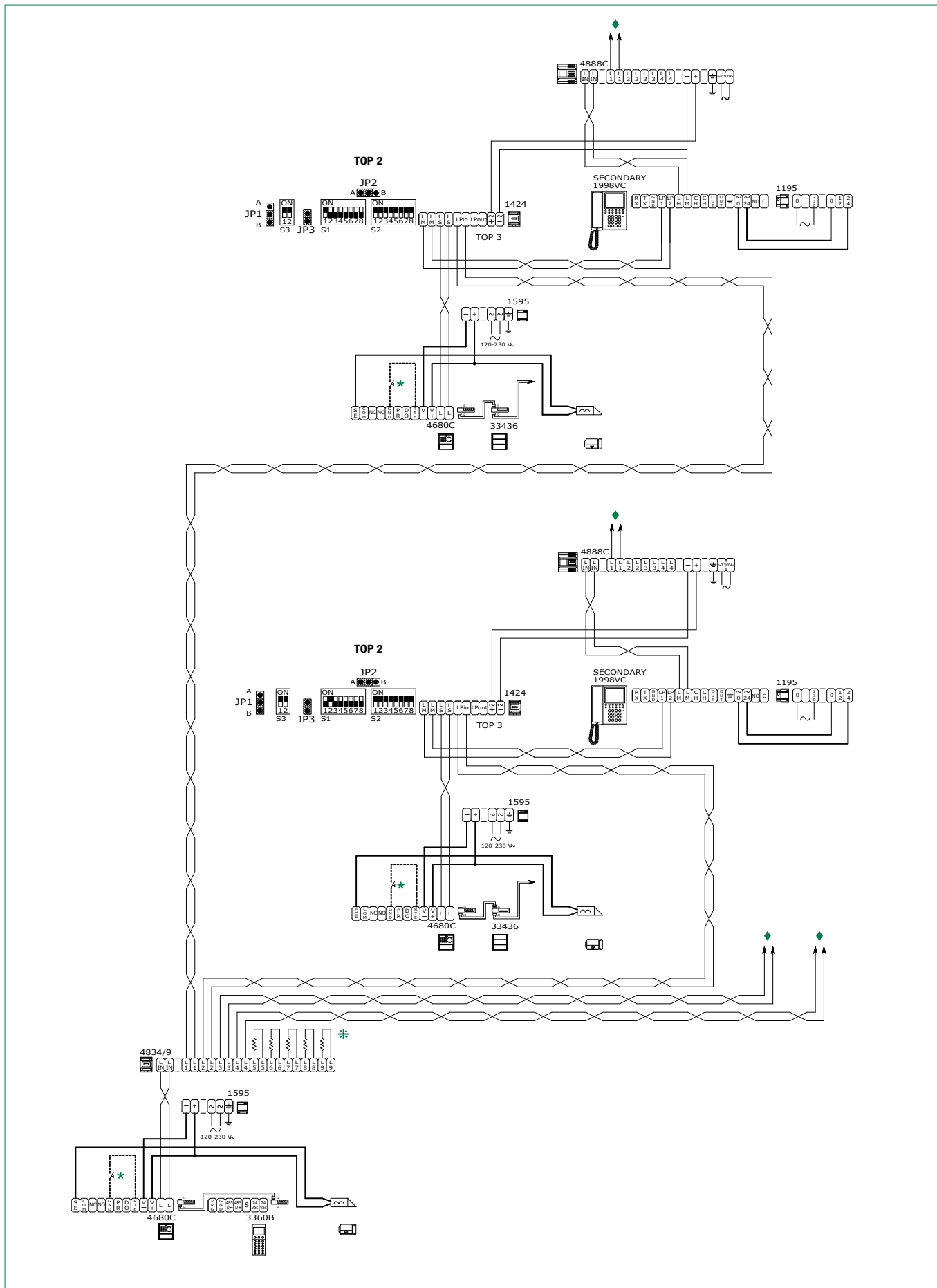
◆ Video door entry system riser (see: **"VIDEO ENTRY SYSTEM RISER"**)

★ 20 m MAX. Local lock-release button.

✳ Only cut off the resistance of the output used.

Simplebus TOP video entry phone system with 1 main entrance, 4 secondary entrances and the relative secondary porter switchboards



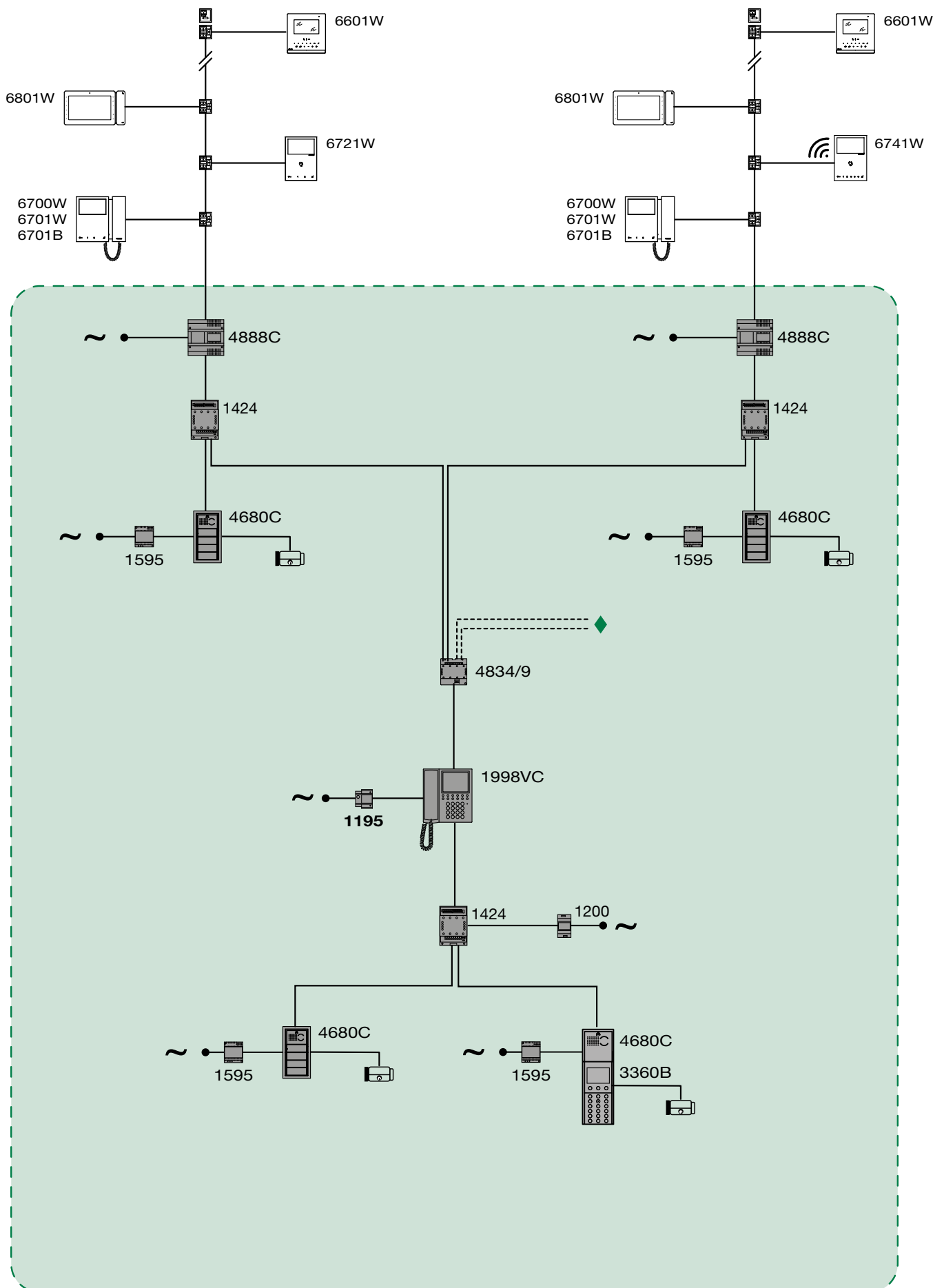


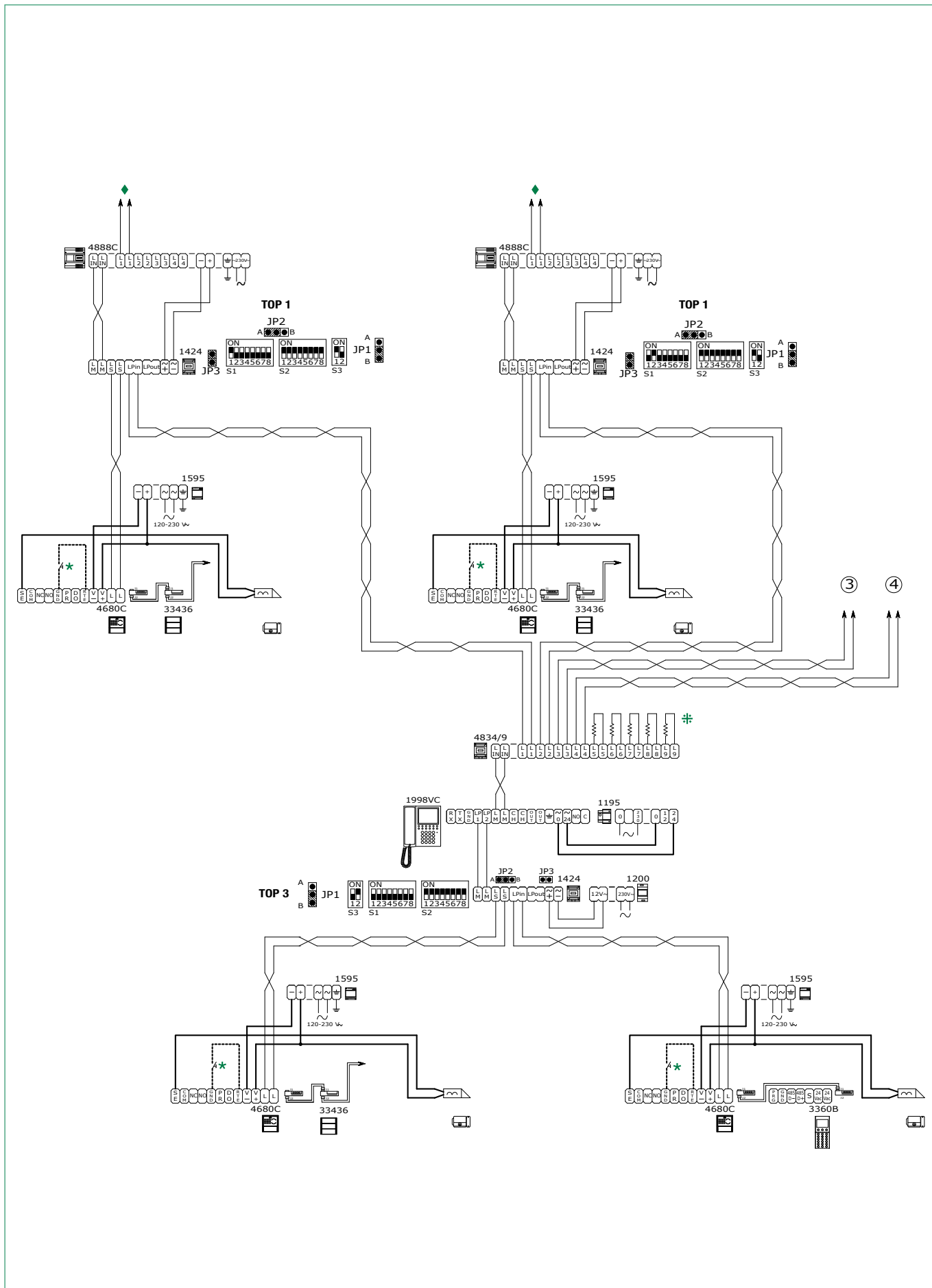
♦ Video door entry system riser (see: **“VIDEO ENTRY SYSTEM RISER”**)

★ 20 m MAX. Local lock-release button.

⚡ Only cut off the resistance of the output used.

Simplebus TOP video entry phone system with 2 main entrances, 4 secondary entrances and main porter switchboard



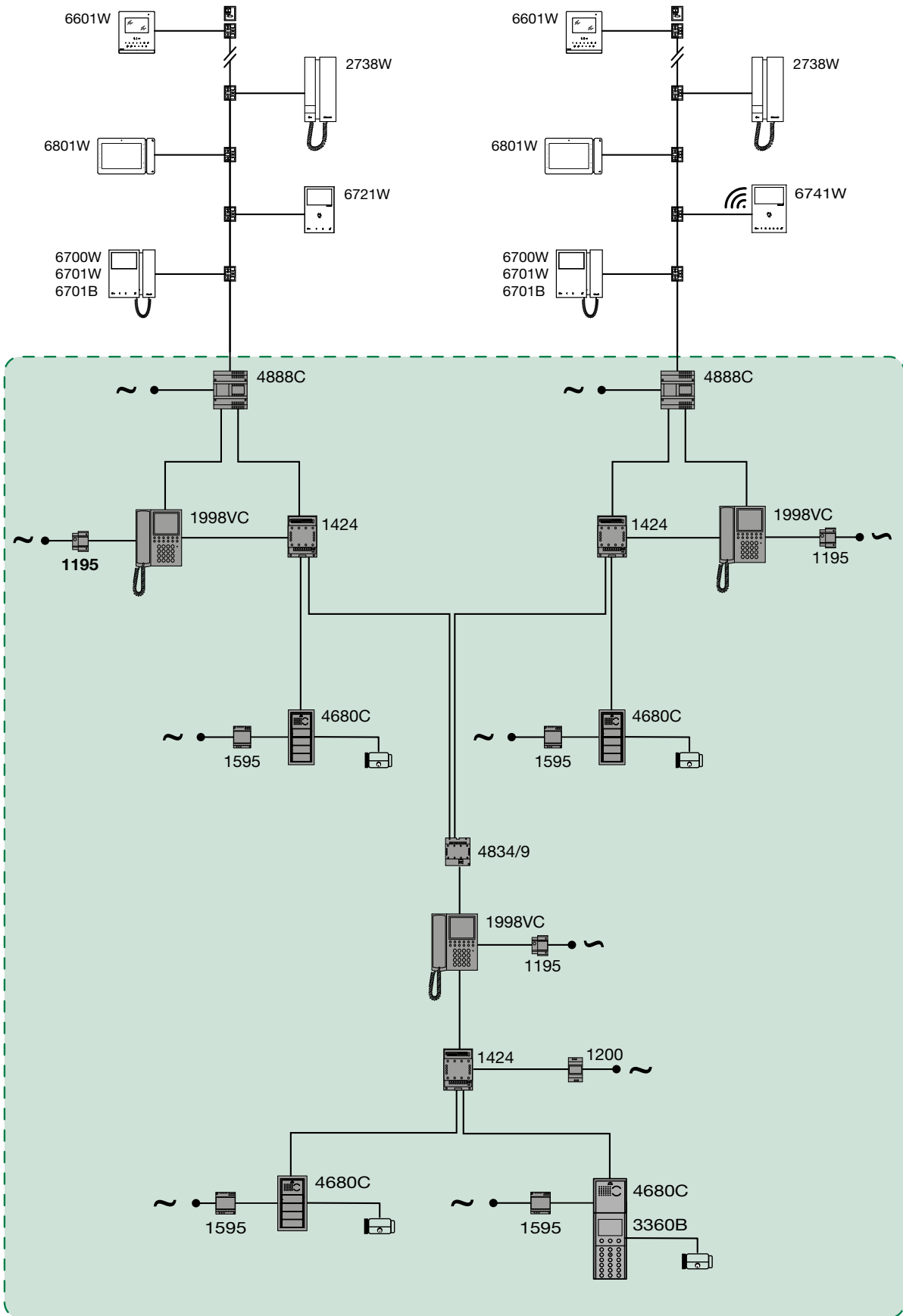


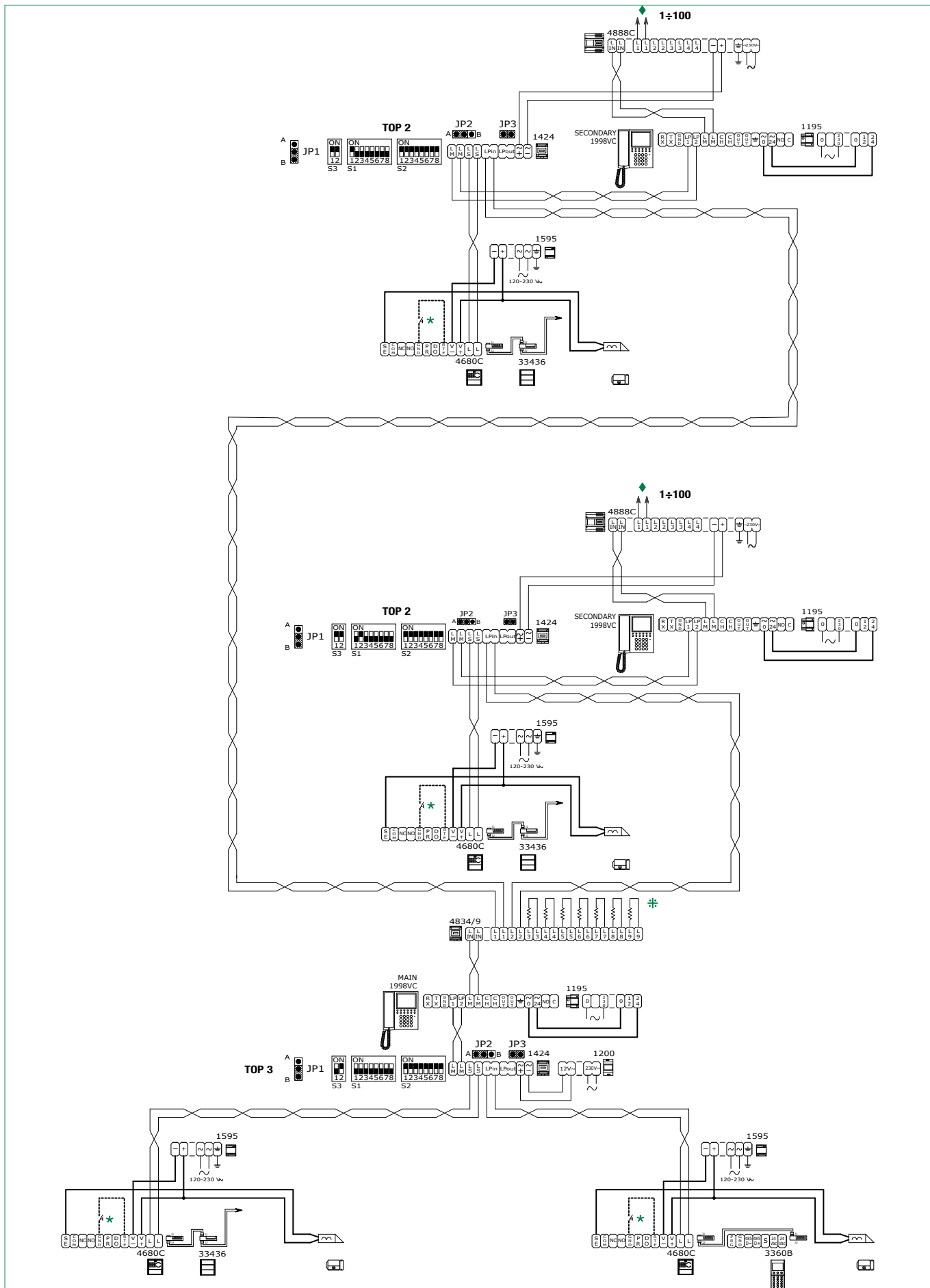
◆ Video door entry system riser (see: **“VIDEO ENTRY SYSTEM RISER”**)

✳ 20 m MAX. Local lock-release button.

✳ Only cut off the resistance of the output used.

Simplebus TOP video entry phone system with 2 main entrances, 1 main porter switchboard, 2 secondary entrances and relative porter switchboards



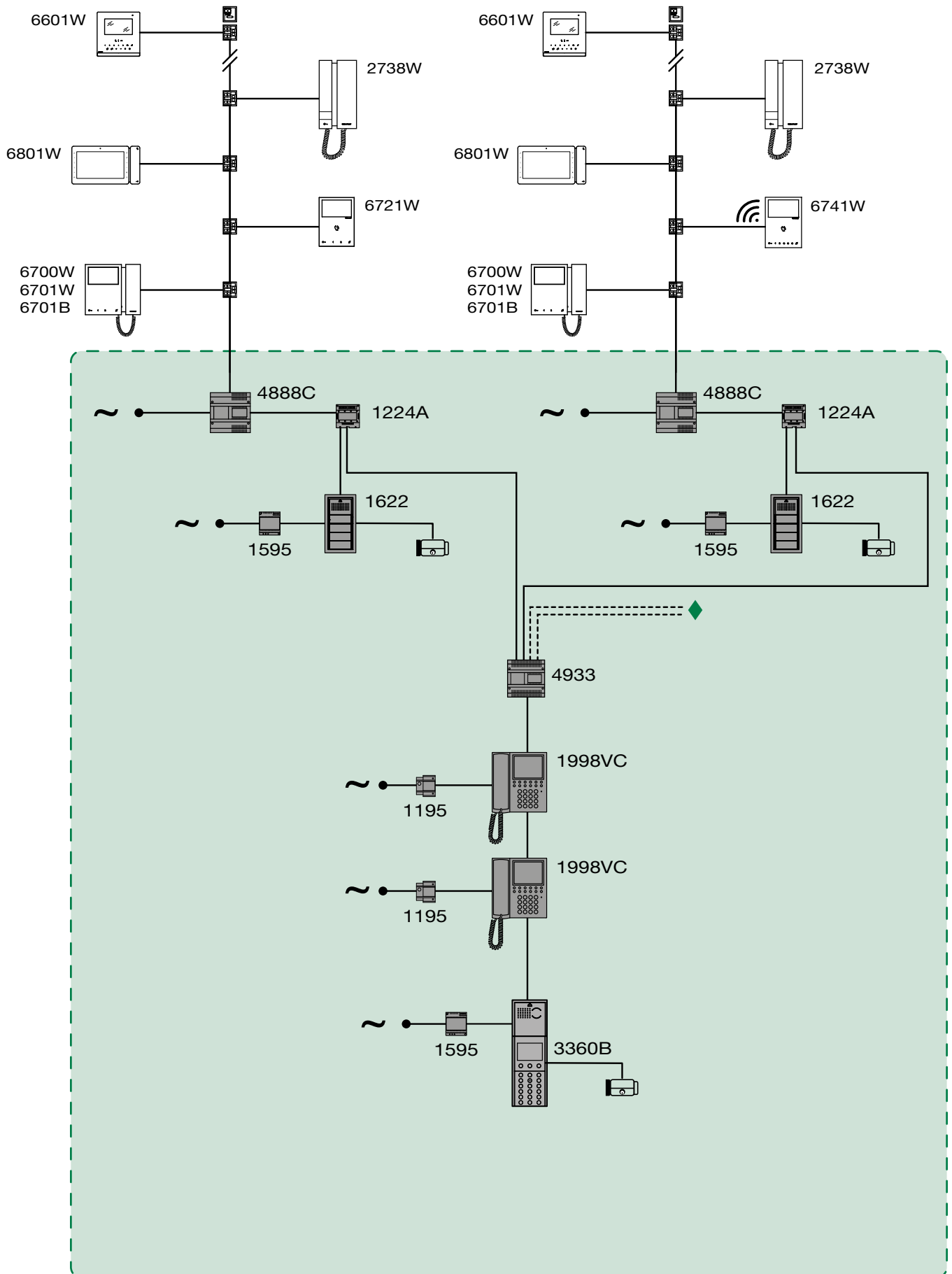


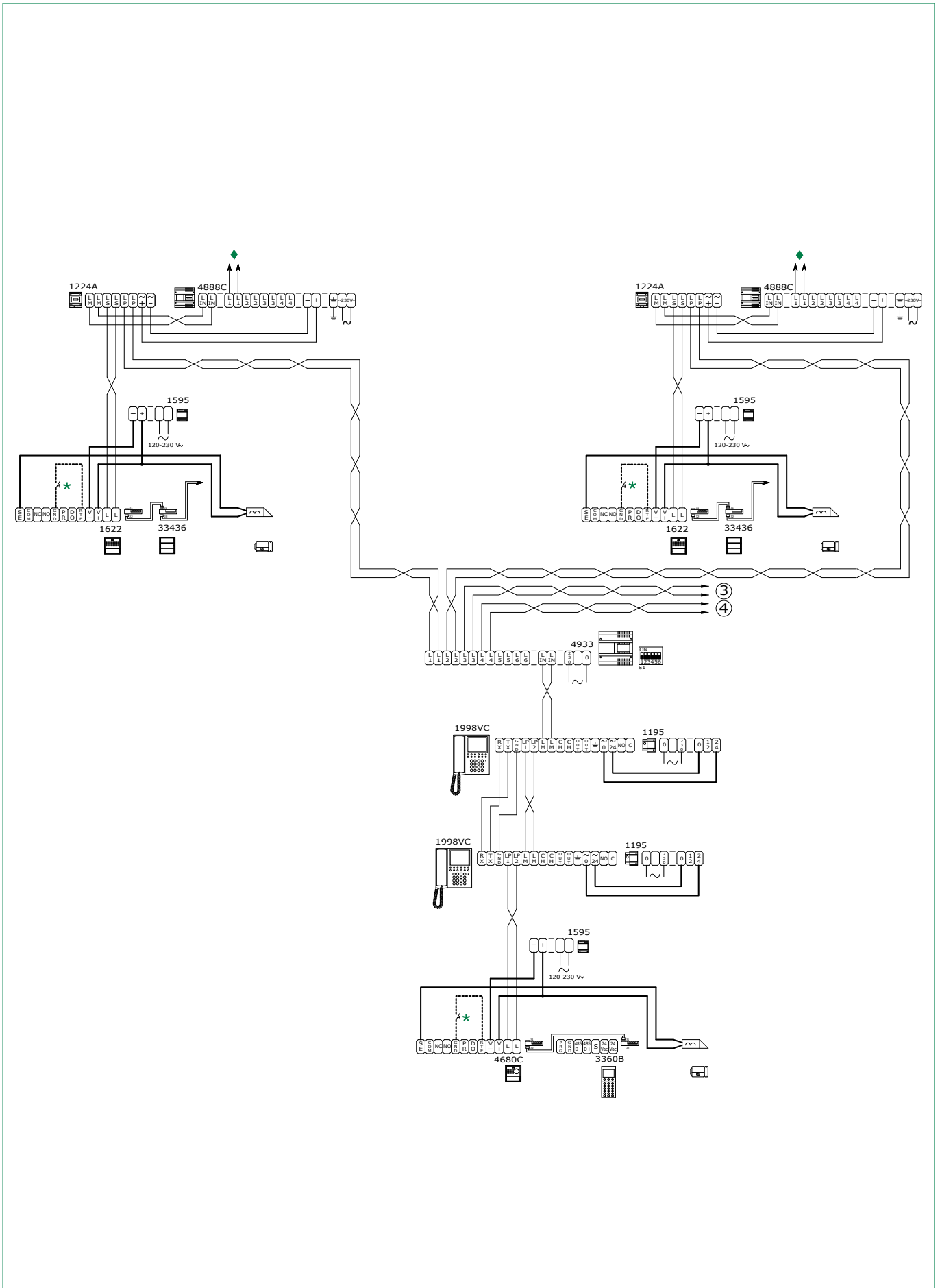
◆ Video door entry system riser (see: **“VIDEO ENTRY SYSTEM RISER”**)

★ 20 m MAX. Local lock-release button.

✱ Only cut off the resistance of the output used.

Simplebus TOP video entry phone system with 1 main entrance, 4 secondary entrances and 2 main porter switchboards in SERIES configuration.



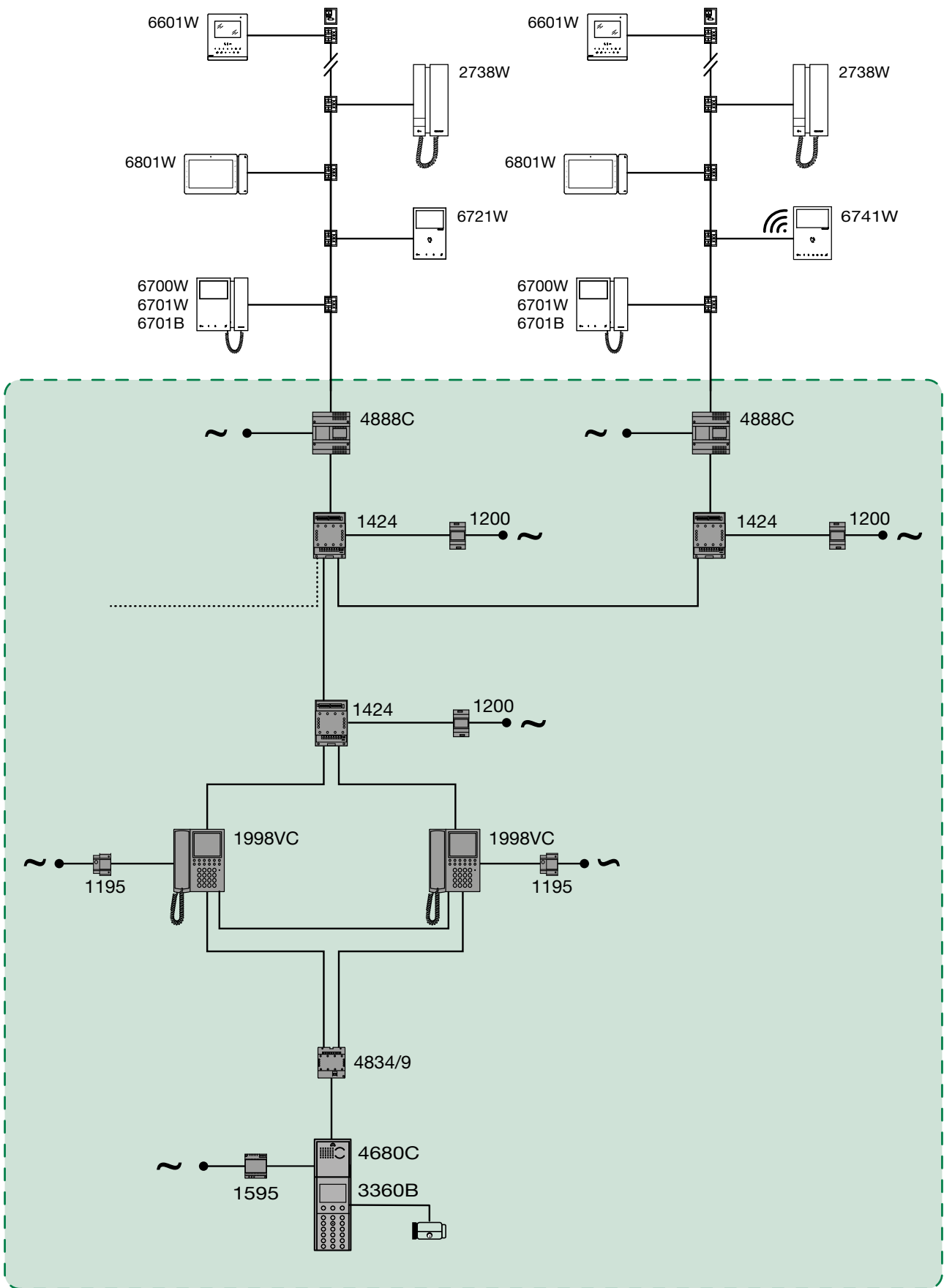


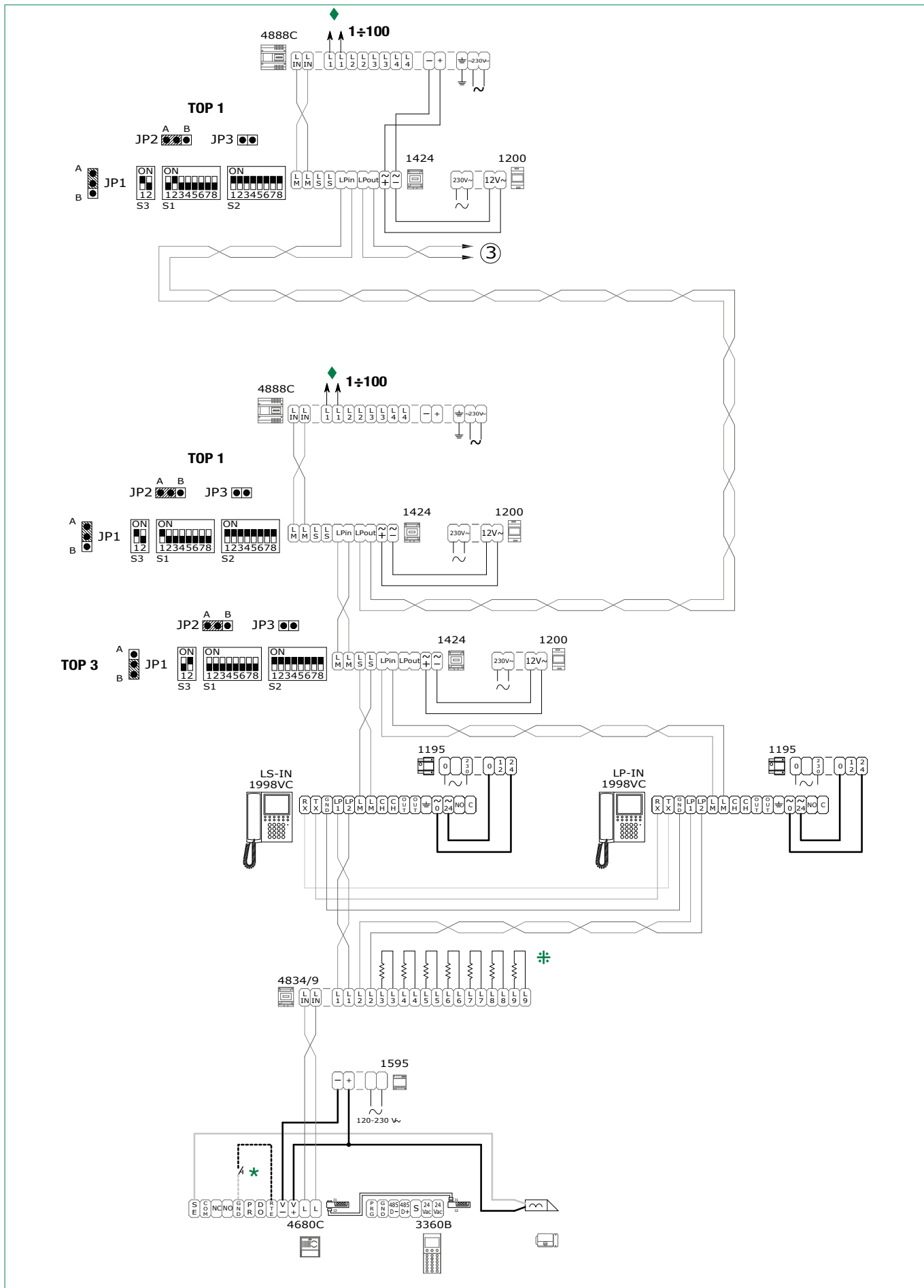
◆ Video door entry system riser (see: **“VIDEO ENTRY SYSTEM RISER”**)

✳ 20 m MAX. Local lock-release button.

✳ Only cut off the resistance of the output used.

Simplebus TOP video entry phone system with 1 main entrance, 3 secondary entrances and 2 main porter switchboards in PARALLEL configuration.



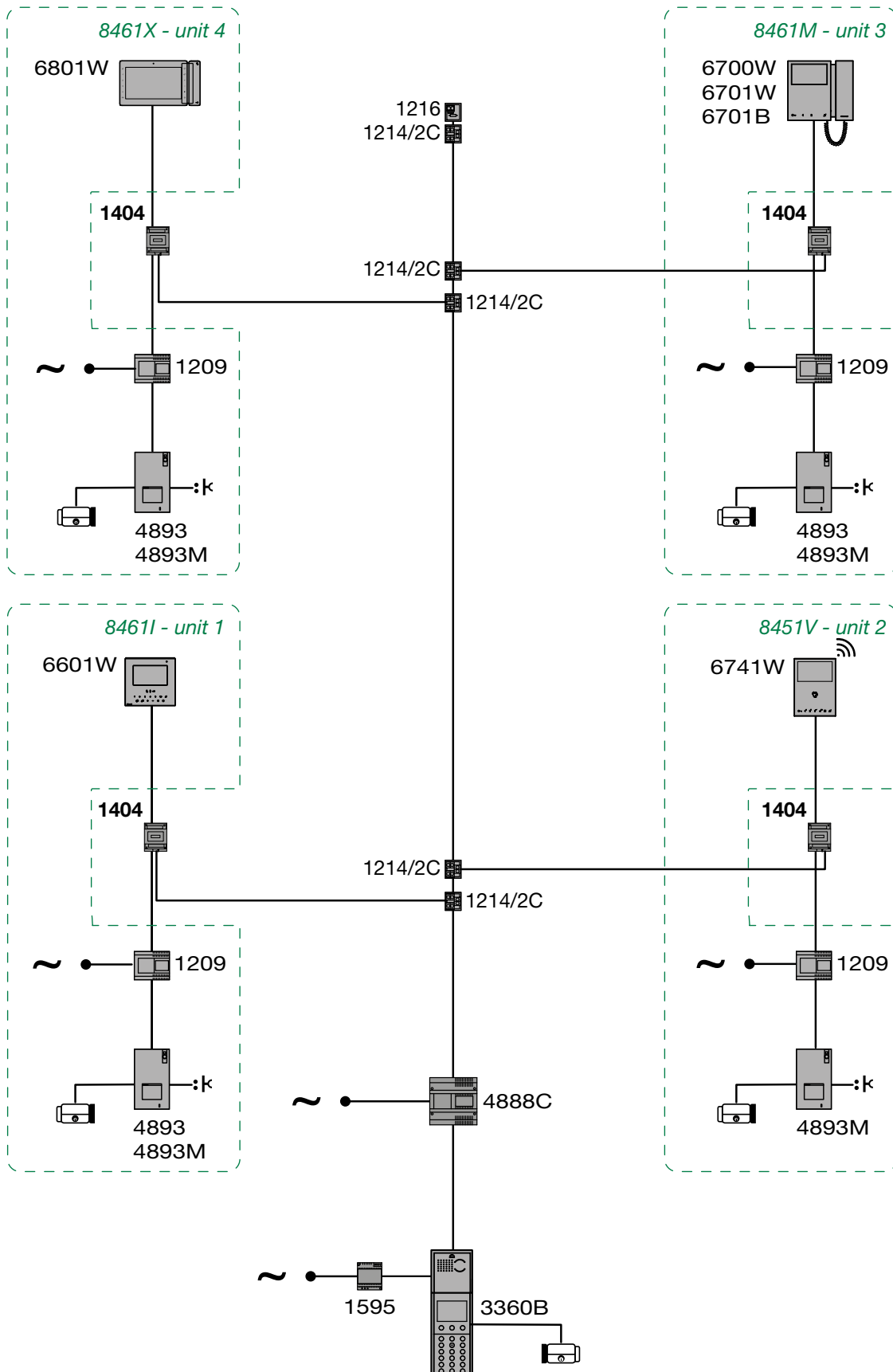


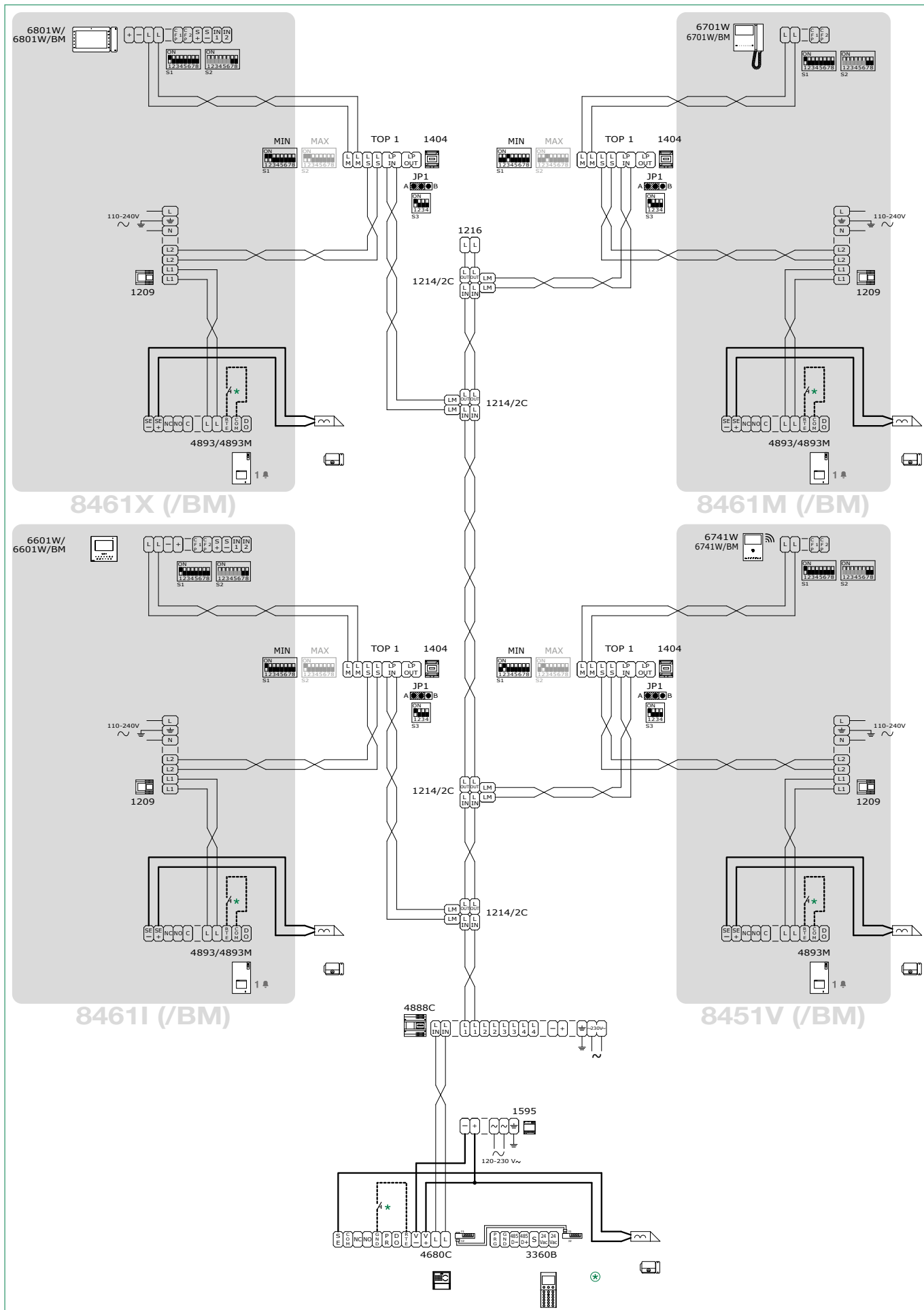
◆ Video door entry system riser (see: **“VIDEO ENTRY SYSTEM RISER”**)

* 20 m MAX. Local lock-release button.

⊛ Only cut off the resistance of the output used.

Switching devices in TOP1 mode, branched KIT 8461/8451 external unit in TOP mode

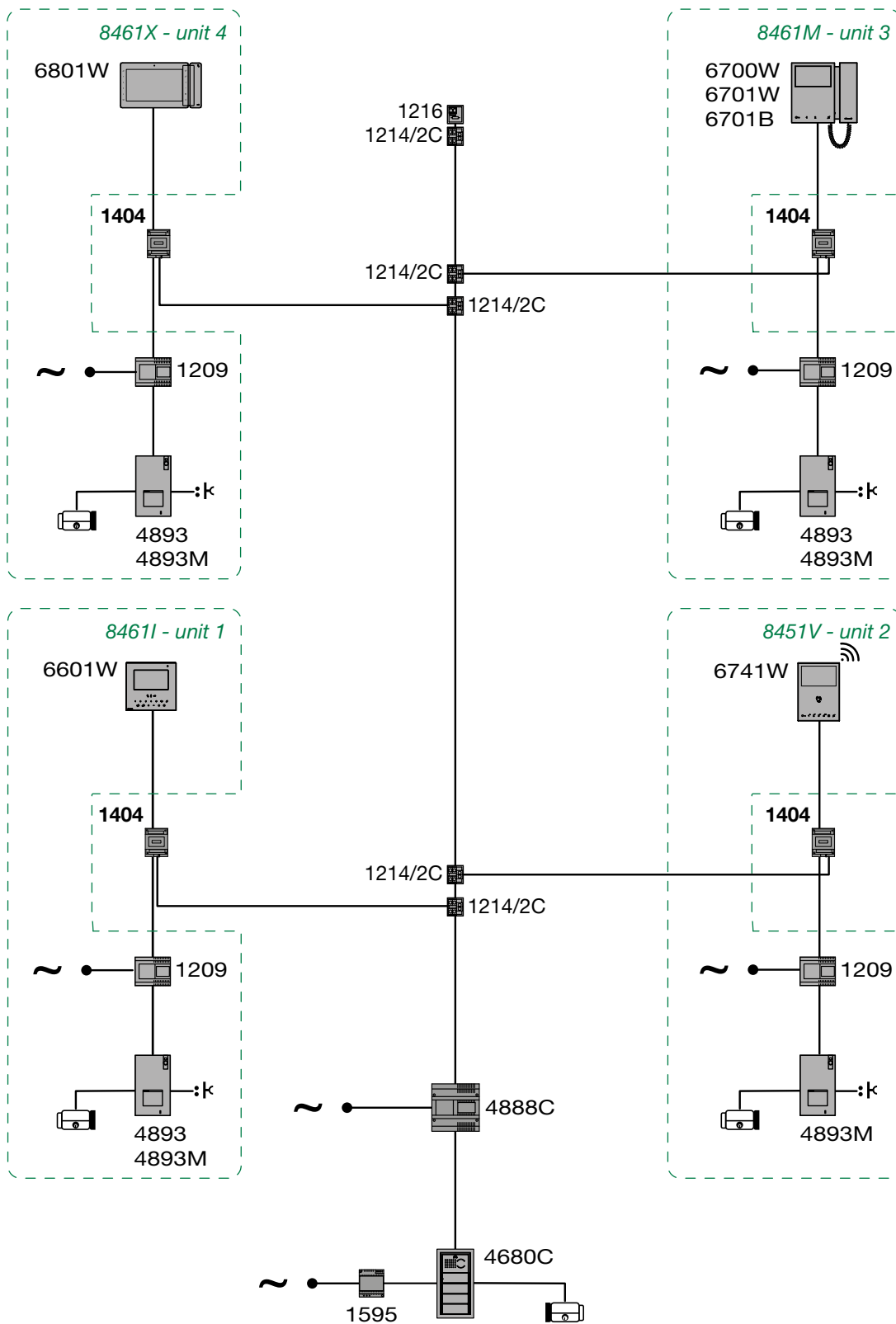


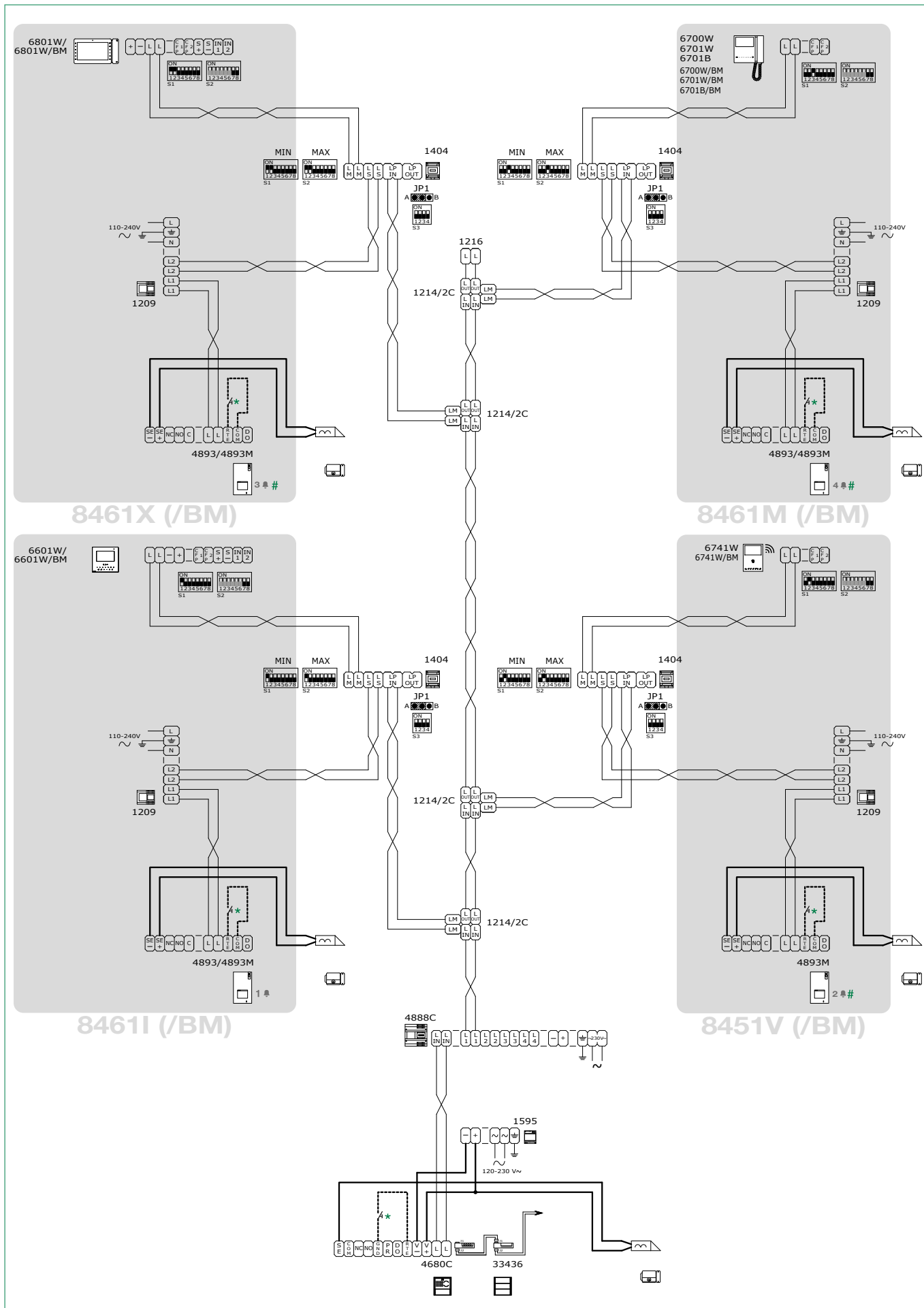


★ 20 m MAX. Local lock-release button.

⊕ Main port in TOP mode.

Switching devices in STANDARD mode, branched KIT 8461/8451

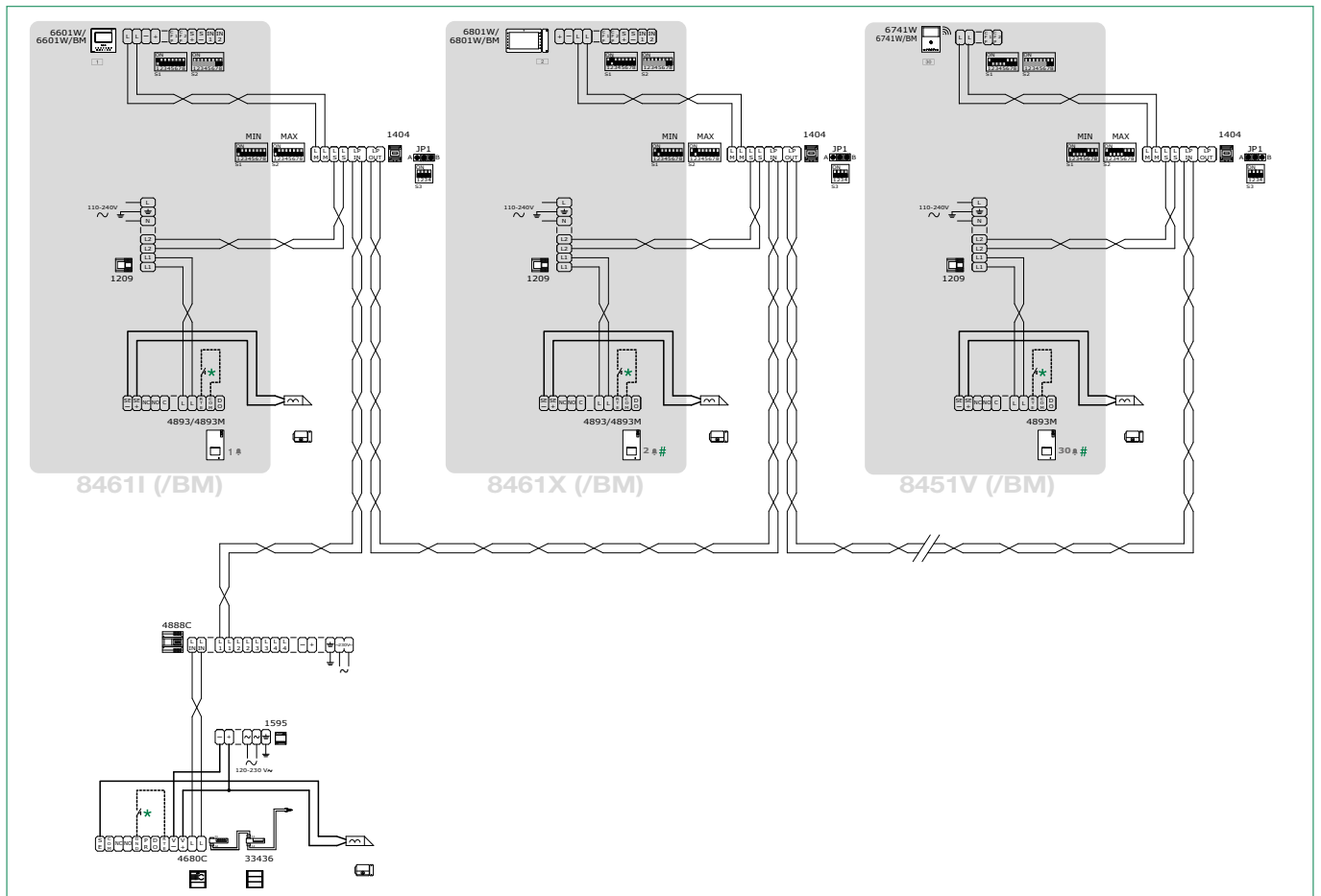
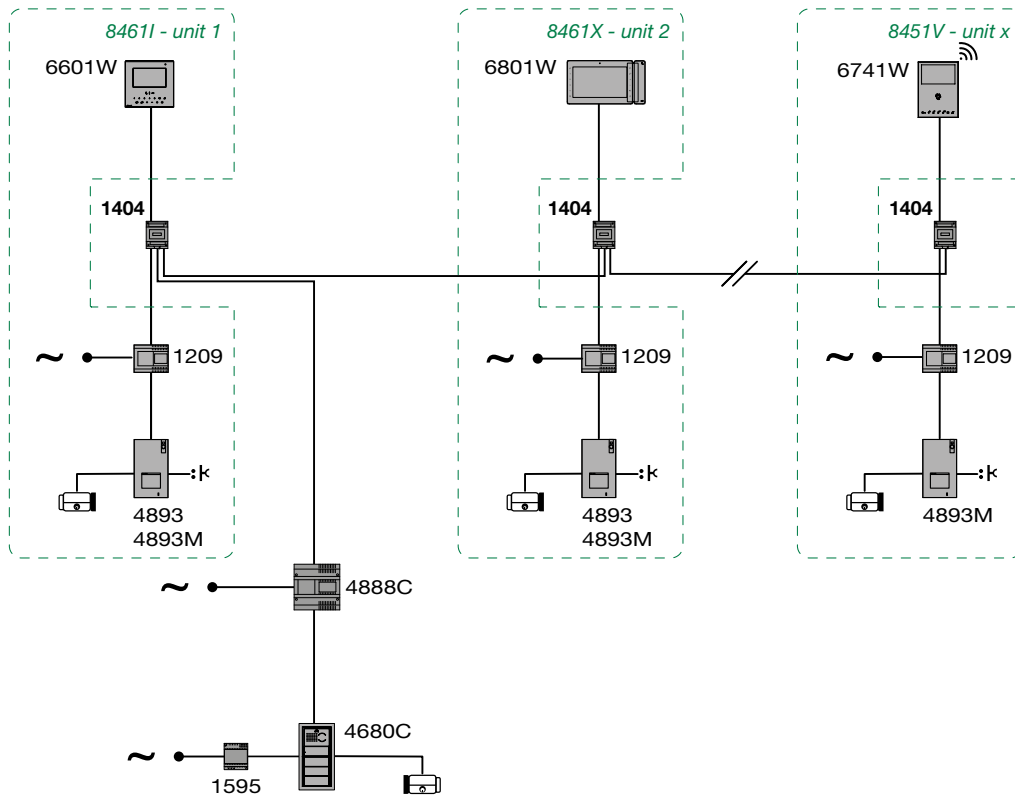




★ 20 m MAX. Local lock-release button.

For call address programming, please refer to the full manual for Art. 4893/4893M

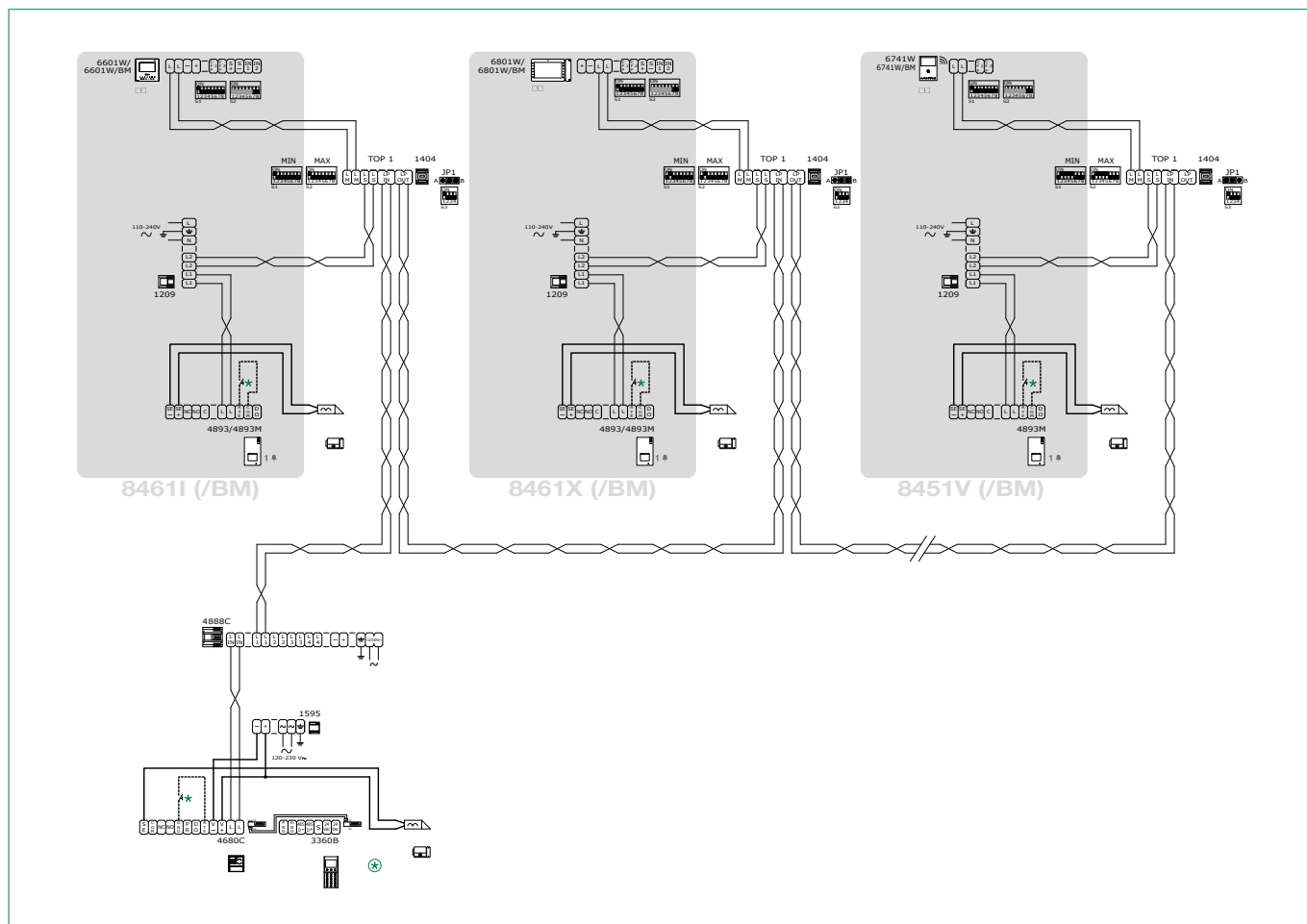
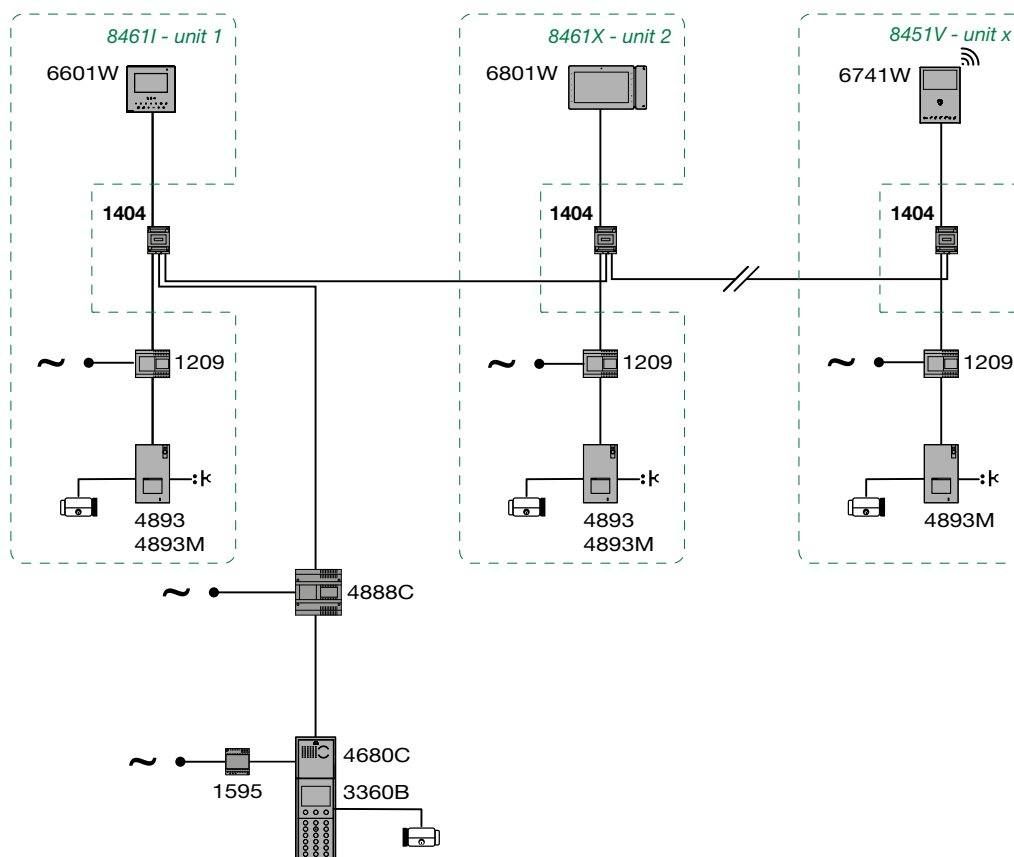
Switching devices in STANDARD mode, KIT 8461/8451 in cascade connection



* 20 m MAX. Local lock-release button.

For call address programming, please refer to the full manual for Art. 4893 /4893M

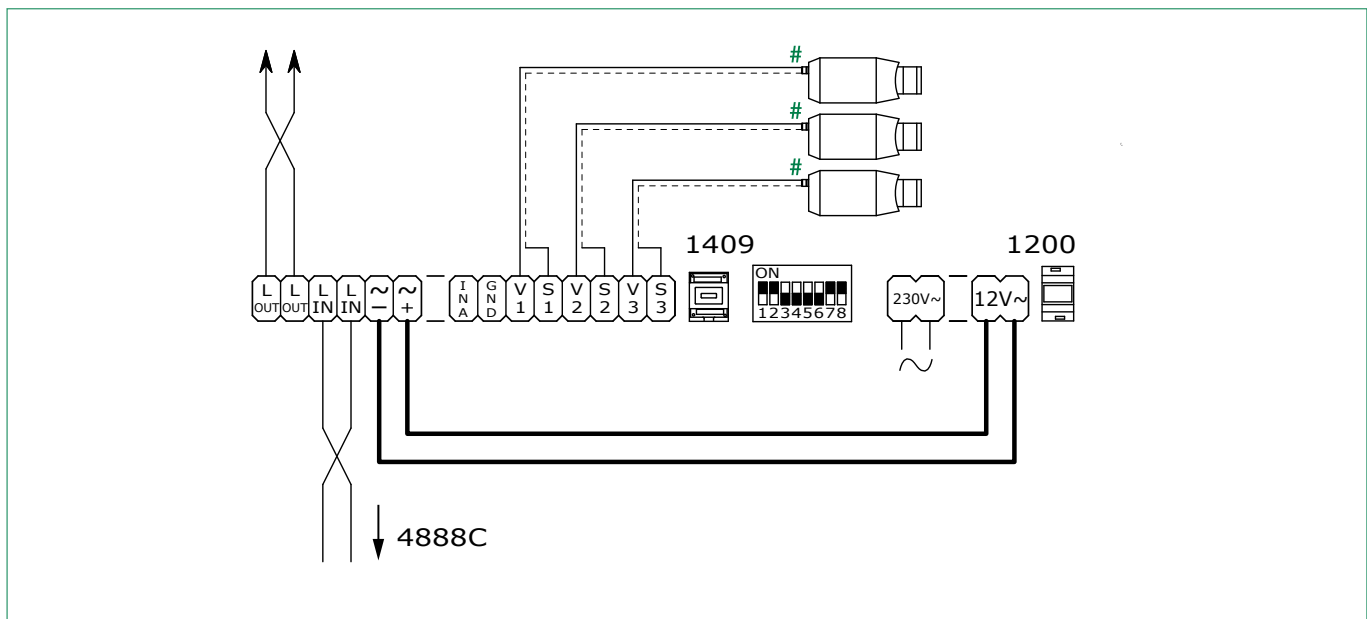
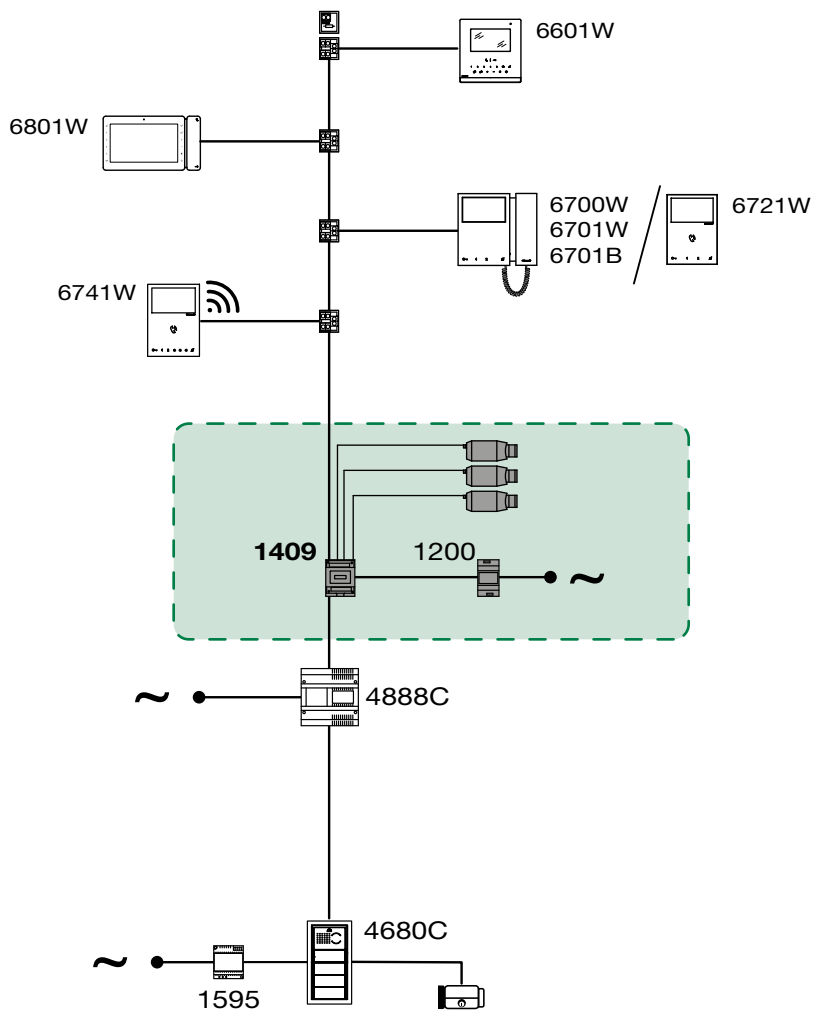
Switching devices in TOP1 mode, KIT 8461/8451 in cascade connection, with external unit in TOP mode



★ 20 m MAX. Local lock-release button.

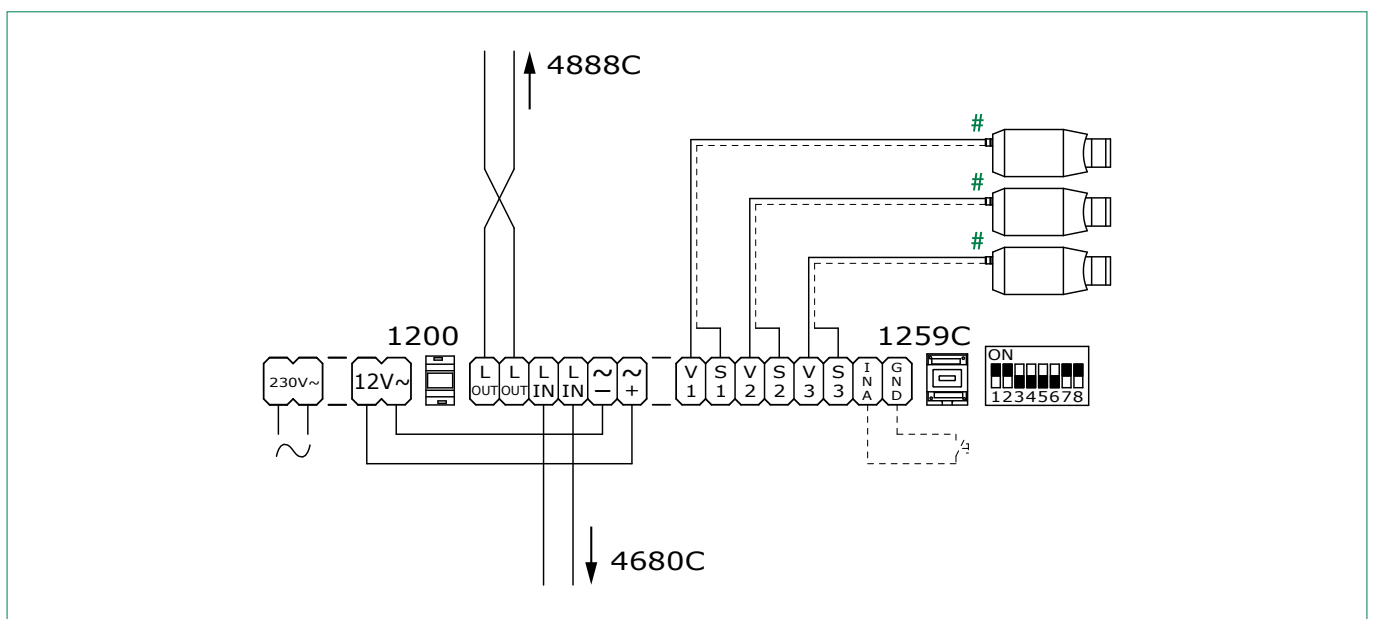
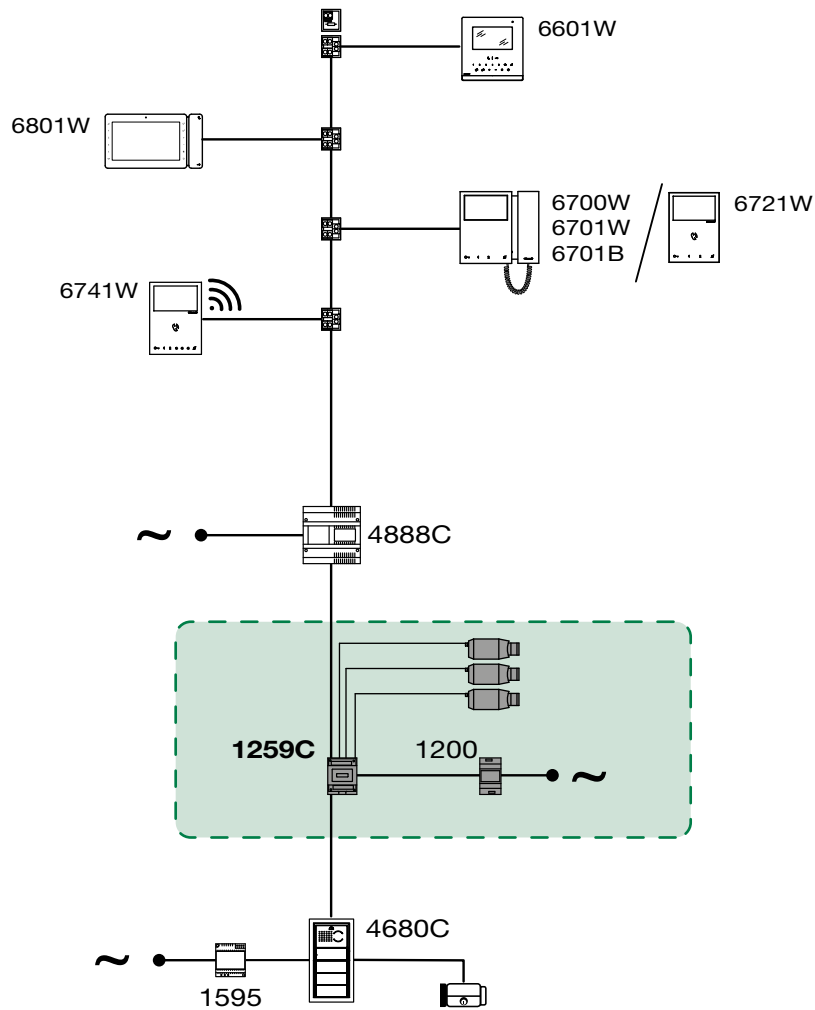
⊛ Main port in TOP mode.

Addition of remote camera module Art. 1409



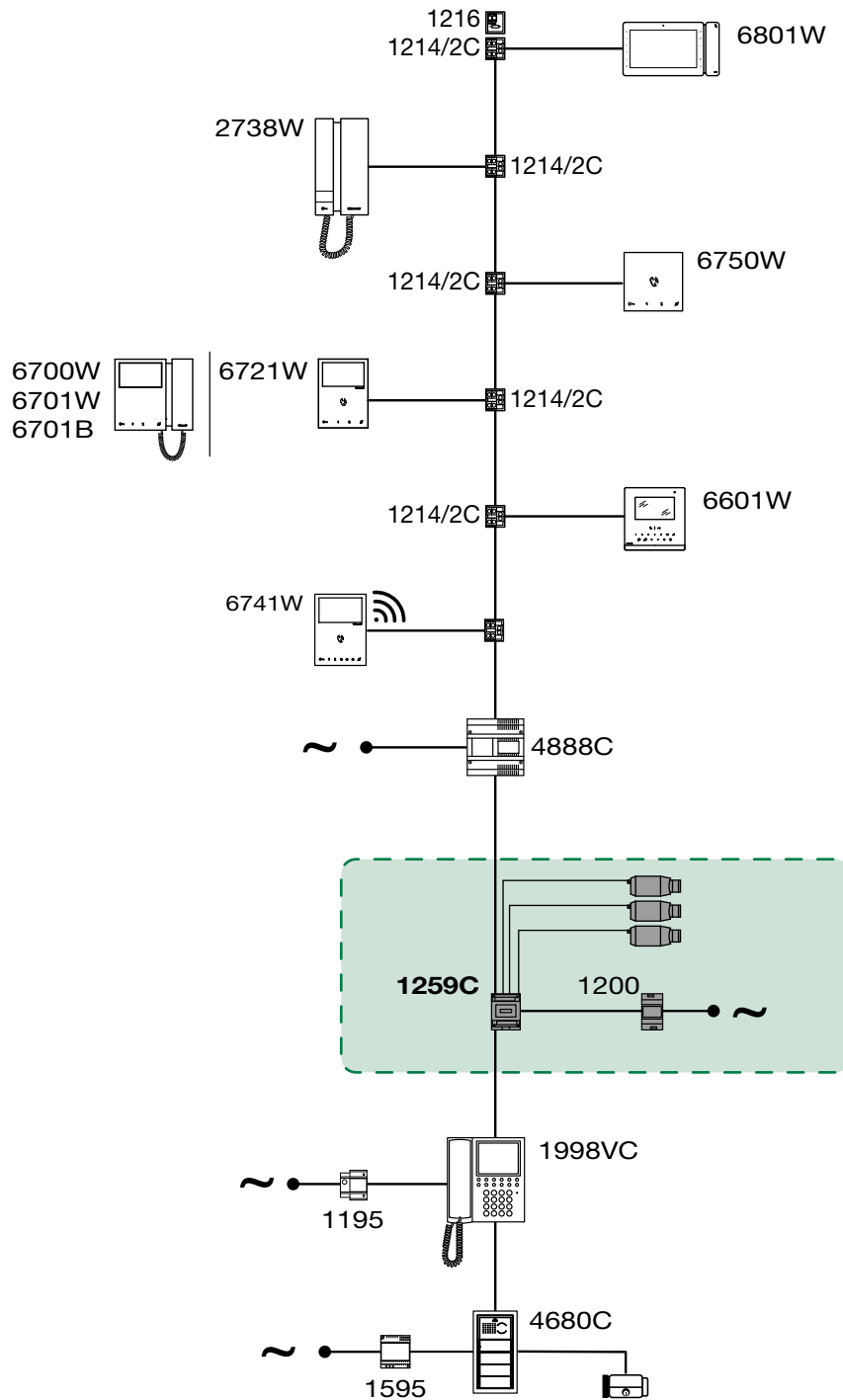
Requires separate power supply.

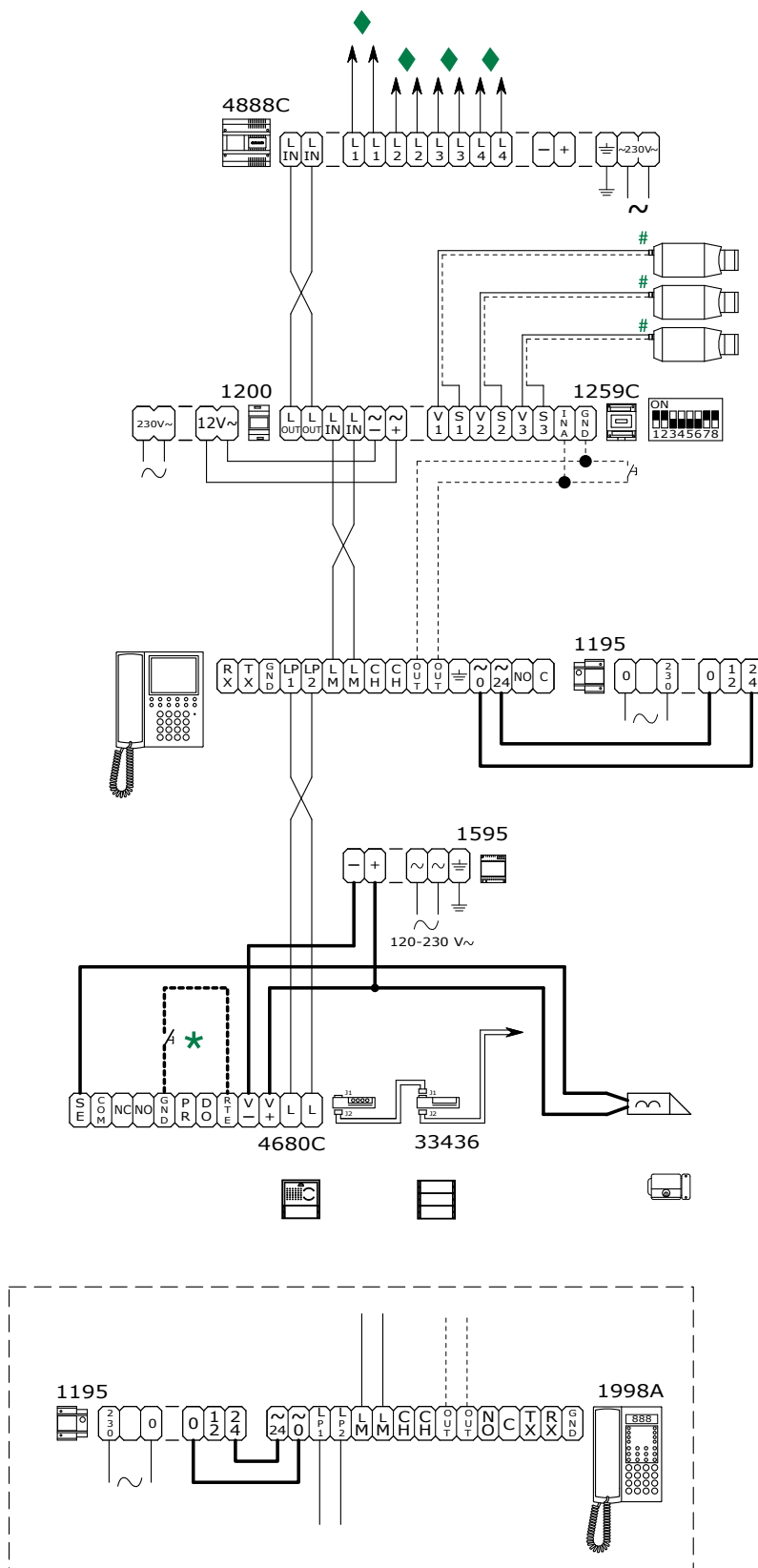
Addition of remote camera module Art. 1259C



Requires separate power supply.

System with remote camera module Art. 1259C in generic actuator mode and porter switchboard





◆ Video door entry system riser (see: **“VIDEO ENTRY SYSTEM RISER”**)

★ **20 m MAX.** Local lock-release button.

Requires separate power supply.

CERTIFIED MANAGEMENT SYSTEMS



www.comelitgroup.com

Via Don Arrigoni, 5 - 24020 Rovetta (BG) - Italy

