

ArchiTech: Standalone or Networked Access



Standalone Specifications

- **ArchiTech Series combine attractive, durable Grade 1 locksets with proven wireless Networkx access control technology** in one aesthetically - pleasing standalone access control and locking package.
- **Ideal for all discriminating applications**, from high-rise residences or offices to universities, anywhere keyless access control would be welcome and convenient
- **Support for a variety of access control credentials** from ID cards and badges, e.g., prox., mag stripe and smart cards, to several keyfob styles.
- **Ultra décor-compatible, there are unlimited combinations of 300+ architectural trims, lever or knob designs trims & finishes**, for an entirely custom look – all durable ANSI/BHMA Grade 1.
- **Flexible for any application and door, wood or metal**, the standalone, self-contained system is wireless and can be surface mounted or recessed within the door
- **Low maintenance**, the durable system is also powered by 4 off-the-shelf AA Batteries – with unsurpassed long-battery life for up to 3 years or 100,000 cycles using advanced Power-Saver circuit (application-dependent).
- **Readily networked for future requirements**



Shown with mortised-in electronics and batteries

Features:

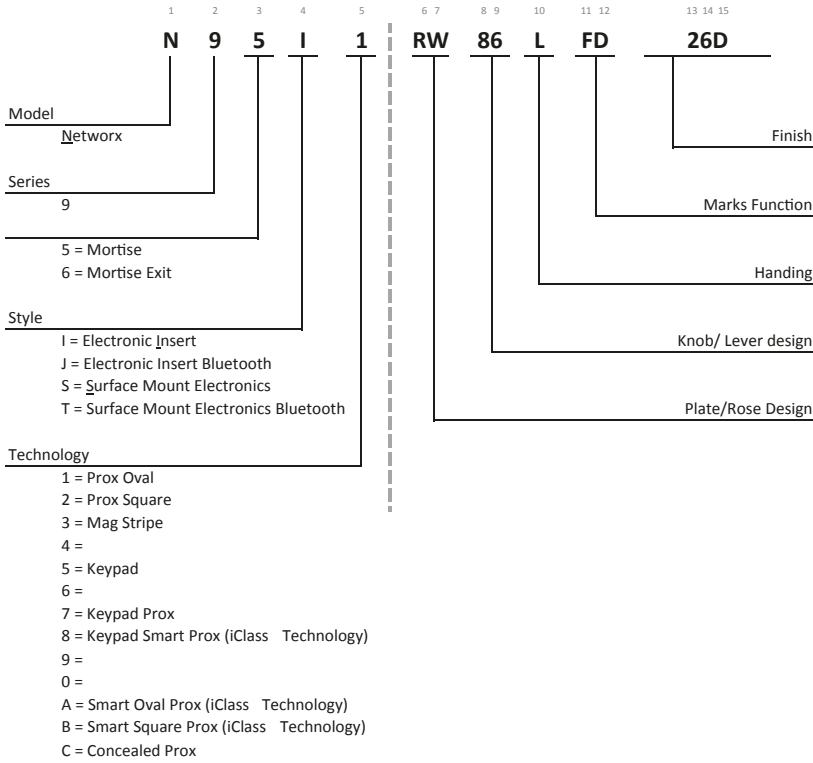
- 5000 Users, 500 Scheduled Events & 40,000 Event Audit Trail
- Surface-Mount or Mortised-in Electronics and Battery Pack
- Lock available in Mortise and Cylindrical versions
- Real Time Clock
- Uses 4 AA Batteries – 3 year battery life, typ. using advanced Power-Saver circuit
- Operated via access card, keyfob or bluetooth enabled iLock® App.
- DL-Windows Software for programming Or in enterprise networkx, in real time, use with Continental Access® CA3000, CA4K®, or Lenel OnGuard® Integrated Access Control & Video Security Platforms
- USB Radio Gateway Method or Via Networkx Gateways (Ethernet, 802.11 or POE)
- Manual Card Enrollment Option for Quick Installation
- Wireless programming range: up to 100 ft.
- ANSI / BHMA Grade 1 Certified, UL Listed 3 Hours
- Auto-Deadbolt option for automatic keyless locking of deadbolt upon exiting, ideal for residential applications
- Includes standard lever rose hardware design
- Compatible with all 300+ optional architectural trim / lever or knob designs
- Stainless steel latch, 2-3/4" backset
- Auto-Reverse lock body tested to 6 million cycles
- Lock Body - Self cleaning long life motor
- Door closure monitor / electronic deadbolt monitor
- Key override standard or high-security
- Optional integrated door position indicator switch

ArchiTech Ordering: Infinite Grade 1 Trim Options

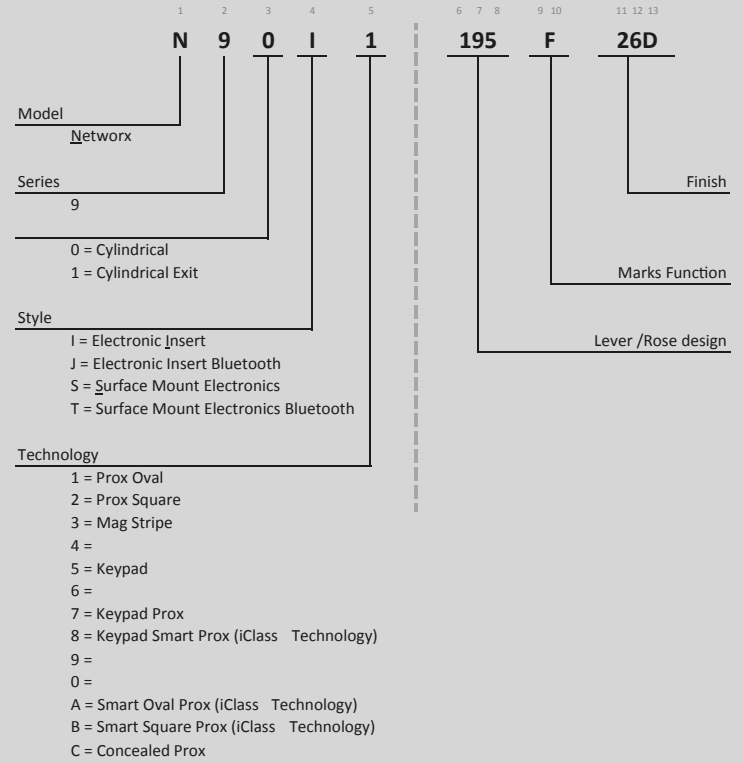


Standard Model Ordering. Infinite Custom Models Also Available, Call for Ordering Assistance

BASE DISTRIBUTION MORTISE MODEL P/N SCHEME



BASE DISTRIBUTION CYLINDRICAL MODEL P/N SCHEME



ArchiTech: Hundreds of Options for ArchiTech to be Customized. Select Standard Mortise & Tubular Lock Trim & Rose Options:

