



CCK-3104 Display

Operations Manual

Serial Time Display



- **Add time of day display to access control and data collection systems**
- **Readable from 100 feet**
- **Indoor use**
- **Standard 12 hour or Military 24 hour formats**
- **12VDC operation**
- **Custom system interfaces available**

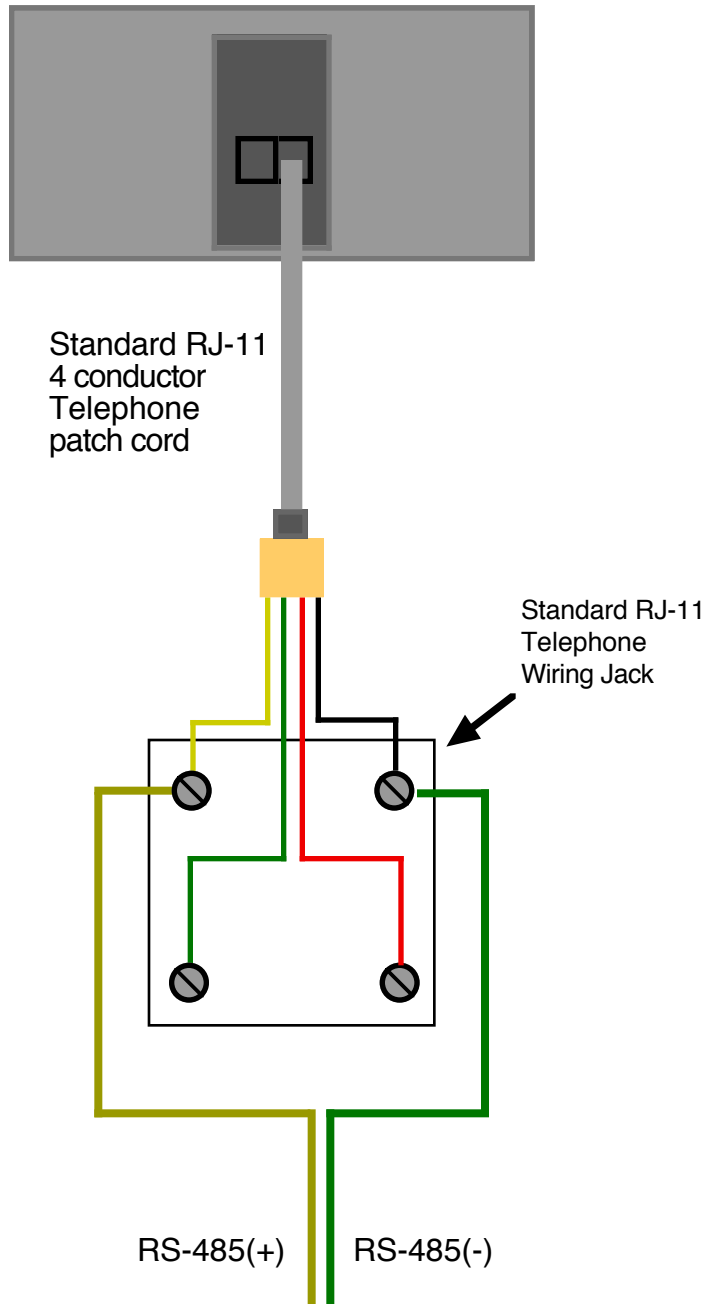


MAN-CCK-3104-v102

Specifications

Clock Dimensions:	13.5" x 7.5" x 2.2" (34.3 cm x 18.0 cm x 5.6 cm) Length x Height x Depth
Weight:	1.7 lbs (0.78 kg) - clock 1.1 lbs (0.50 kg)power adapter 1.1 lbs (0.50 kg) serial driver (if needed)
Numerical Height:	4" (10.2 cm)
Power:	Power: Uses 30 Watt transformer, UL listed, CSA certified, 120 VAC (transformer input voltage range is 100-130 VAC)
Battery backup:	Built in 15 day backup
Serial Interface:	Surge protected, RS-485 - 4000 feet at 9600 baud
Network limitations:	32 drops
Clock Driver	(standard) CCX-1350 (mercury panel) CCX-1360
Operating Temperature: Humidity;	0oC - 49oC (32oF - 120oF) 0% - 95% Non-condensing
Warranty:	1 Year factory defect and workmanship

Reference Wiring Diagram - CVX-1350 to CCK-3104 RS-485 Network connections

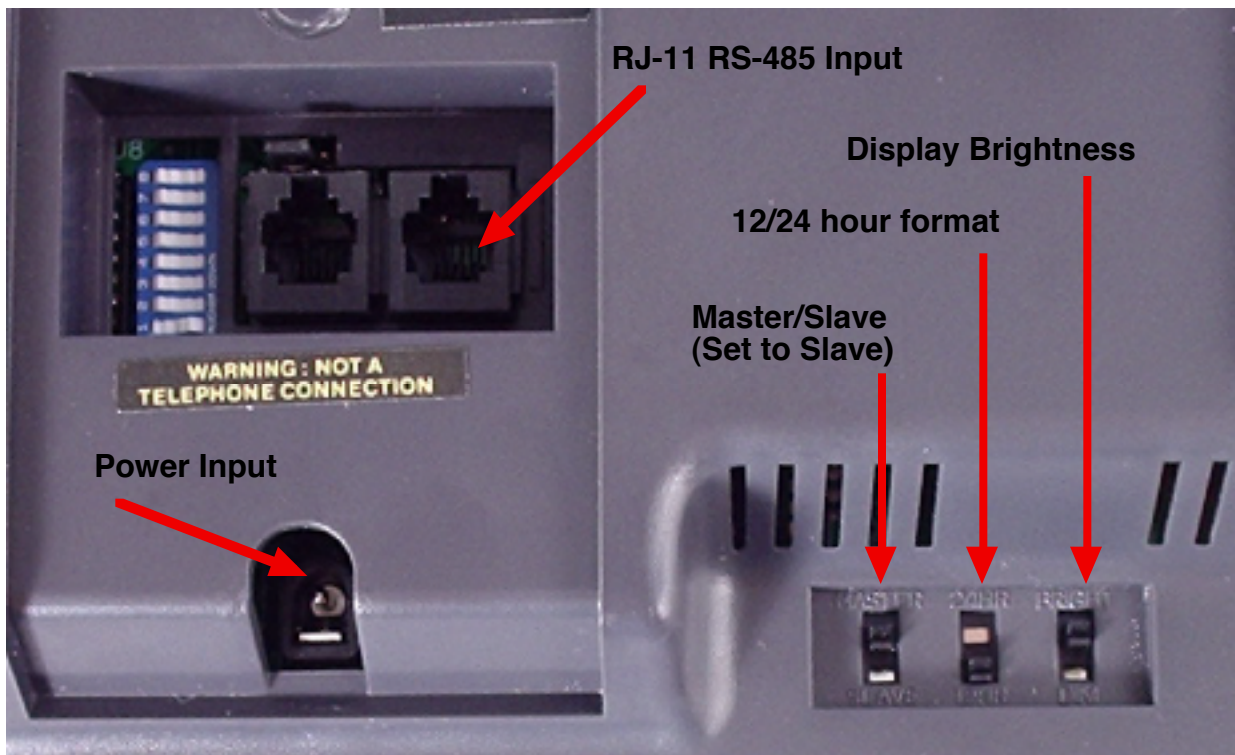


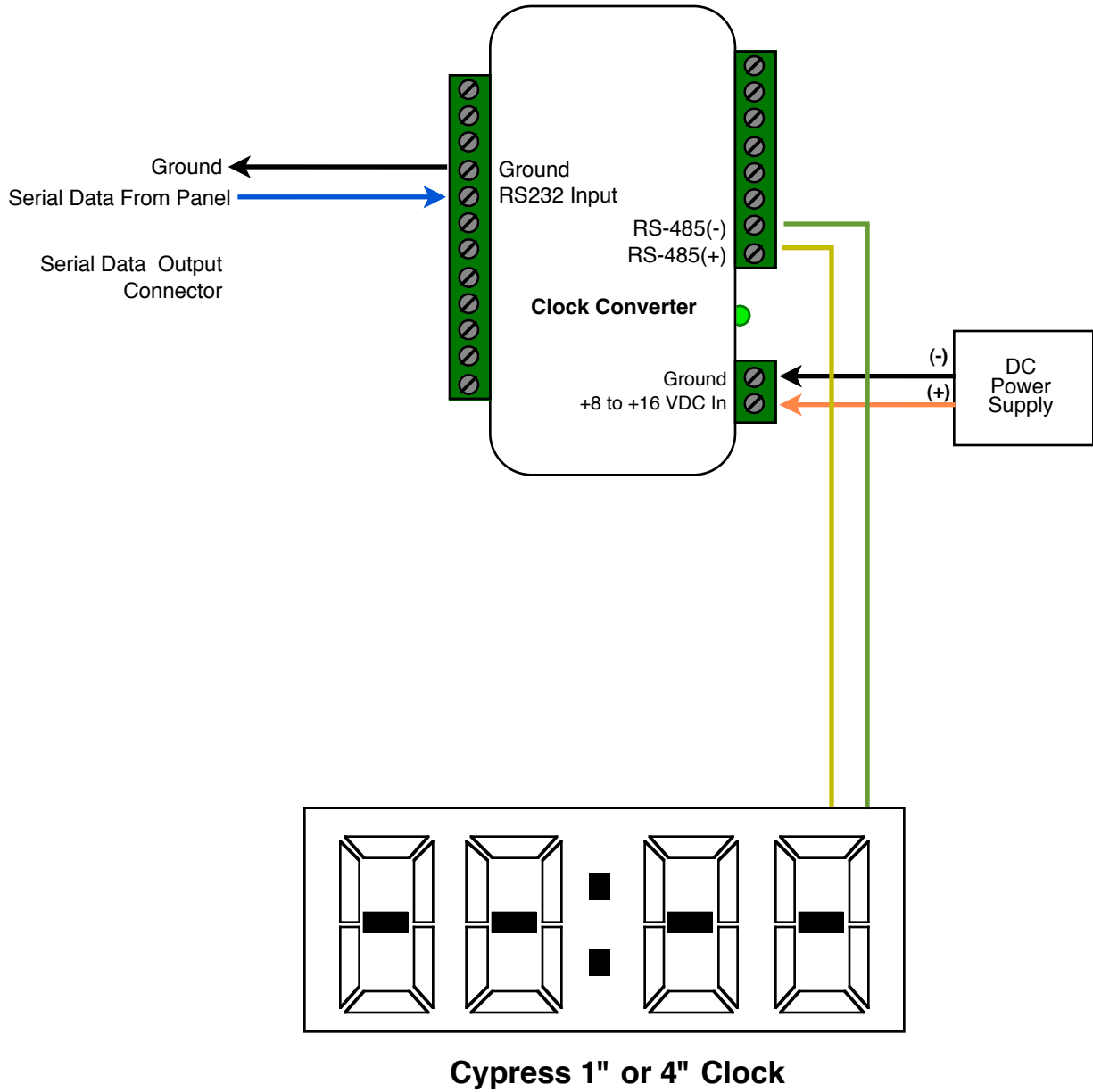
RS-485 Connection to Converter

CCK-3104 Time Zone adjustment settings

Offset Hours	DIP 1	DIP2	DIP3	DIP4	DIP7	Offset Hours	DIP 1	DIP2	DIP3	DIP4	DIP7
+0	OFF	OFF	OFF	OFF	OFF	-0	OFF	OFF	OFF	OFF	ON
+1	ON	OFF	OFF	OFF	OFF	-1	ON	OFF	OFF	OFF	ON
+2	OFF	ON	OFF	OFF	OFF	-2	OFF	ON	OFF	OFF	ON
+3	ON	ON	OFF	OFF	OFF	-3	ON	ON	OFF	OFF	ON
+4	OFF	OFF	ON	OFF	OFF	-4	OFF	OFF	ON	OFF	ON
+5	ON	OFF	ON	OFF	OFF	-5	ON	OFF	ON	OFF	ON
+6	OFF	ON	ON	OFF	OFF	-6	OFF	ON	ON	OFF	ON
+7	ON	ON	ON	OFF	OFF	-7	ON	ON	ON	OFF	ON
+8	OFF	OFF	OFF	ON	OFF	-8	OFF	OFF	OFF	ON	ON
+9	ON	OFF	OFF	ON	OFF	-9	ON	OFF	OFF	ON	ON
+10	OFF	ON	OFF	ON	OFF	-10	OFF	ON	OFF	ON	ON
+11	ON	ON	OFF	ON	OFF	-11	ON	ON	OFF	ON	ON
+12	OFF	OFF	ON	ON	OFF	-12	OFF	OFF	ON	ON	ON
+13	ON	OFF	ON	ON	OFF	-13	ON	OFF	ON	ON	ON
+14	OFF	ON	ON	ON	OFF	-14	OFF	ON	ON	ON	ON
+15	ON	ON	ON	ON	OFF	-15	ON	ON	ON	ON	ON

DIP Switch #5 and #8 should always be OFF





DIP Switch Settings

#	DIP Switch Setting								Application			
									Input		Output	
	1	2	3	4	5	6	7	8	Interface	Format	Interface	Format
0									Test Mode			
1	X								Reserved	Reserved	Reserved	Reserved
2		X							CCK-1235 (RS-232)-9600	Casi Micro 5	RS-485	CCK-1101 CCK-1104
3	X	X							CCK-1235A (RS-232)-9600	New - Casi Micro 5	RS-485	CCK-1101 CCK-1104
4			X						CCK-1238 (RS-232)-1200	Sensormatic ASCII Serial	RS-485	CCK-1101 CCK-1104
5			X				X		CCK-1230 (RS-232)-1200	Sensormatic ASCII Serial	RS-485	CCK-1201 CCK-1204
6		X					X		CCK-1235 (RS-232)-9600	Casi Micro 5	RS-485	CCK-1201 CCK-1204
7	X	X					X		CCK-1235A (RS-232)-9600	New - Casi Micro 5	RS-485	CCK-1201 CCK-1204
8		X	X						CCK-1235 (RS-232)-9600	Casi Micro 5	RS-485 1 Sec. Update	CCK-1101 CCK-1104
9	X	X	X						CCK-1235A (RS-232)-9600	New - Casi Micro 5	RS-485 1 Sec. Update	CCK-1101 CCK-1104
10		X	X				X		CCK-1235 (RS-232)-9600	Casi Micro 5	RS-485 1 Sec. Update	CCK-1201 CCK-1204
11	X	X	X				X		CCK-1235A (RS-232)-9600	New - Casi Micro 5	RS-485 1 Sec. Update	CCK-1201 CCK-1204
12				X			X		CCK-1235 (RS-232)-9600	Casi Micro 5	RS-485	CCK-3104
13	X			X			X		CCK-1235A (RS-232)-9600	Casi Micro 5	RS-485	CCK-3104
14			X				X		CCK-1238 (RS-232)-1200	Sensormatic ASCII Serial	RS-485	CCK-3104
15			X				X		CCK-1230 (RS-232)-1200	Sensormatic ASCII Serial	RS-485	CCK-3104
16												
17												
18												
19												
20												