

Eight-channel HDCVI Recording Kit

1 UNPACKING

Your system includes the following:



Cameras

- 8 x HDCVI Dome Cameras
- 8 x Hardware Packs, with: Mounting Template, Expansion Bolts (3), Self-tapping Screws (3), Hex Wrench, Startup Guide, and Software CD

HDCVI DVR

- 1 x 8-channel HDCVI DVR, with: Pre-installed 2 TB HDD, 12 VDC Power Supply, Ethernet Cable, Mouse, Hard Drive SATA Cable, HD Hardware, Startup Guide, and Software CD



2 CONNECTIONS

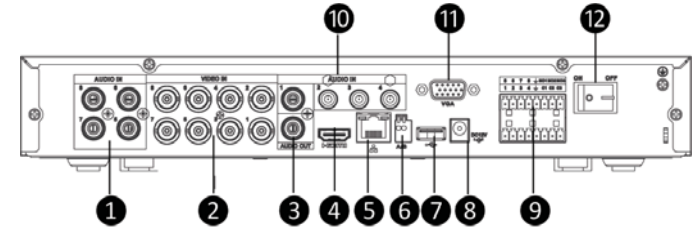
Camera Connections



1	Video Output	HDCVI, CVBS, AHD, TVI
2	Power Input	12 VDC

3 CONNECTIONS

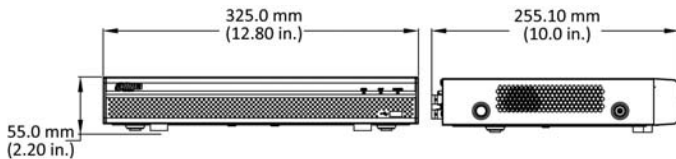
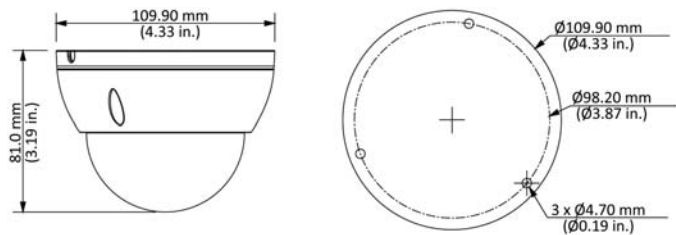
HDCVI DVR Connections



1	Audio IN (x4)	7	USB Port
2	Analog Video IN (x8)	8	12 VDC Power IN
3	Audio OUT	9	Alarm I/O
4	HDMI OUT	10	Audio IN (x4)
5	RJ-45	11	VGA OUT
6	RS485 A/B	12	On/Off Button

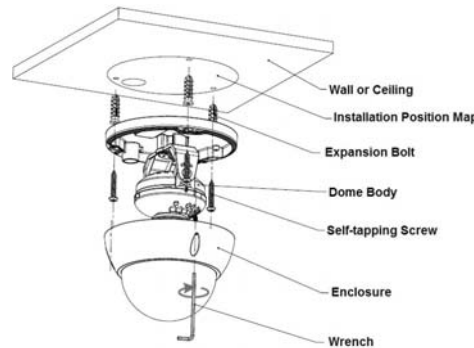
4 DIMENSIONS

Camera and HDCVI DVR



5 INSTALLATION

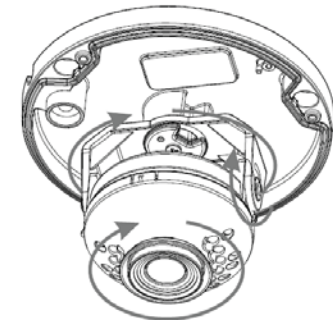
Mount and Make Connections



- Ensure the wall or ceiling can support 3x the weight of the camera.
- Do not connect the camera to the power supply during installation.
- For outdoor installations, ensure the connection between the network cable and the camera jack is housed within a wall or indoors or use the waterproof cable connector.

6 INSTALLATION

Positioning the Camera



- Loosen, but do not remove the set screws on either side of the bracket that holds the camera.
- Tilt the camera to adjust the tilt angle (0° to +65°). Tighten the two locking screws on the bracket to lock the tilt angle.
- Turn the camera module to adjust image pan orientation (0° to +355°).
- Turn the camera base to adjust the rotation of the camera (0° to +355°).

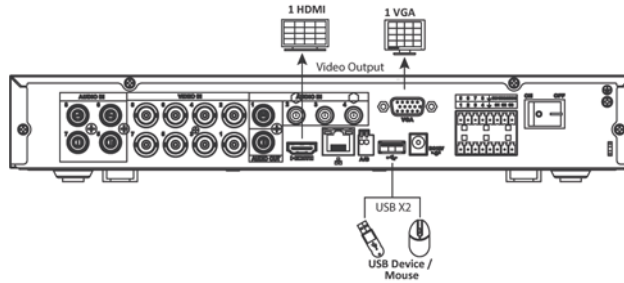
Eight-channel HDCVI Recording Kit

7 INSTALLATION Place the HDCVI DVR



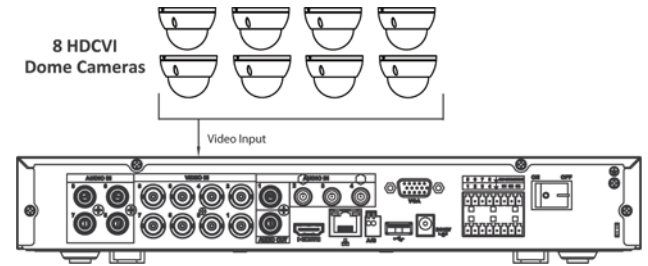
- Ground the unit using the ground connection of the power supply to protect the unit from damage, especially in damp environments.
- Protect the plug and power cord from foot traffic, being pinched, and its exit from the unit.
- Do not place the unit in a wet, dusty, extremely hot or an extremely cold environment; and avoid environments with strong electromagnetic radiation.

8 INSTALLATION Connect Peripherals



- Connect the mouse to the USB port on the rear panel.
- Connect a VGA or HDMI cable to the rear panel and to the display monitor.

9 INSTALLATION Connect Cameras



- Connect the incoming coaxial cable from each HDCVI dome camera to a BNC connector on the rear panel.
- Connect the DVR to the 12 VDC power supply and turn on the device using the On/Off button.

10 OPERATION Log in to the HDCVI DVR



- Set the Username and Password after initial start-up.
- Supply the default password (“admin”) for the Admin user.
- Supply a new password.
- Supply answers for two confirmation questions in case the password has to be reset.
- After Admin Security is set, supply the Username and the new Password.

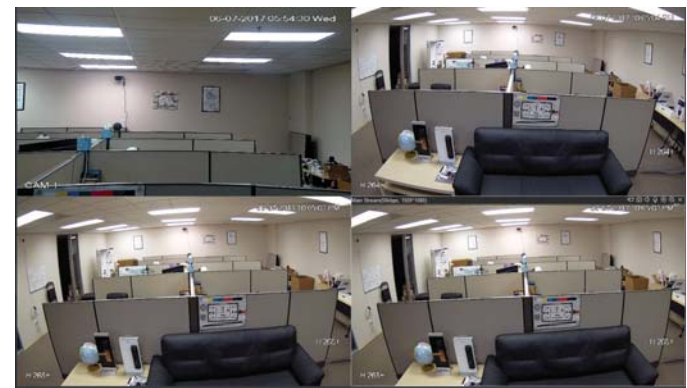
11 OPERATION Set Parameters in Startup Wizard



- Follow the prompts in the Startup Wizard to set the following:

General	Device ID and operation, Date/Time, Holiday Schedule
Encode	Video and audio settings for each channel
Schedule	Recording schedule configuration
Record	Main stream and sub stream settings

12 OPERATION View Live Video



- Click Live in the Main Menu.
- Change the Live screen grid if more camera channels are desired.