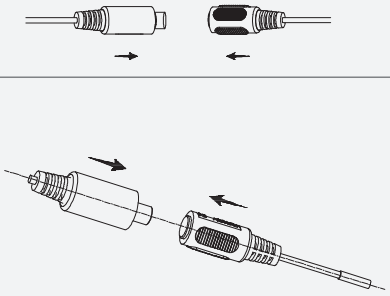
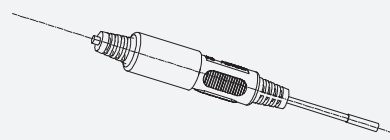


B

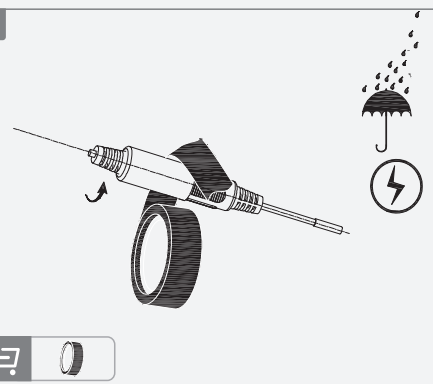
1



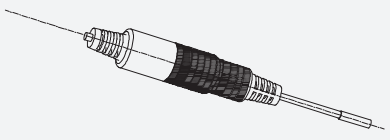
2



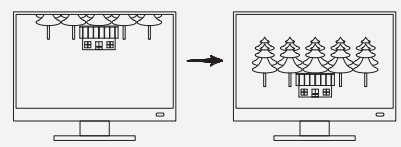
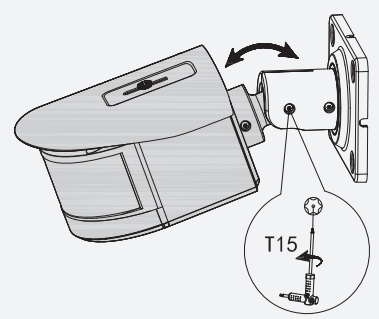
3



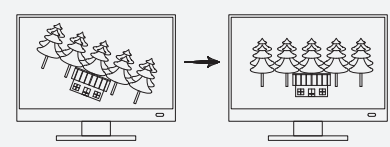
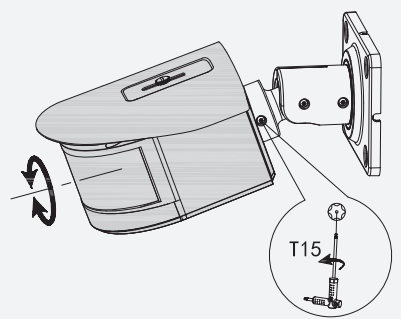
4



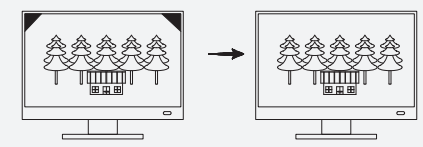
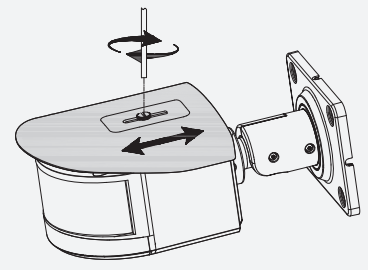
3.1



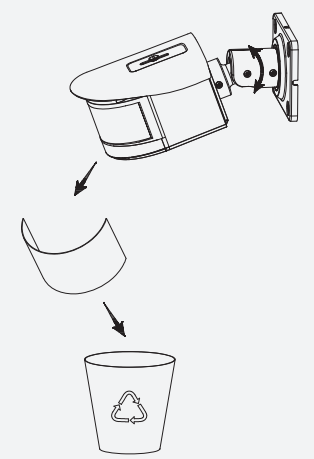
3.2



3.3



4.1



Multi-sensor Panoramic Network Camera

Installation Guide

V1.0.0

