

DH-HAP200

Hi-fidelity Pickup



Features

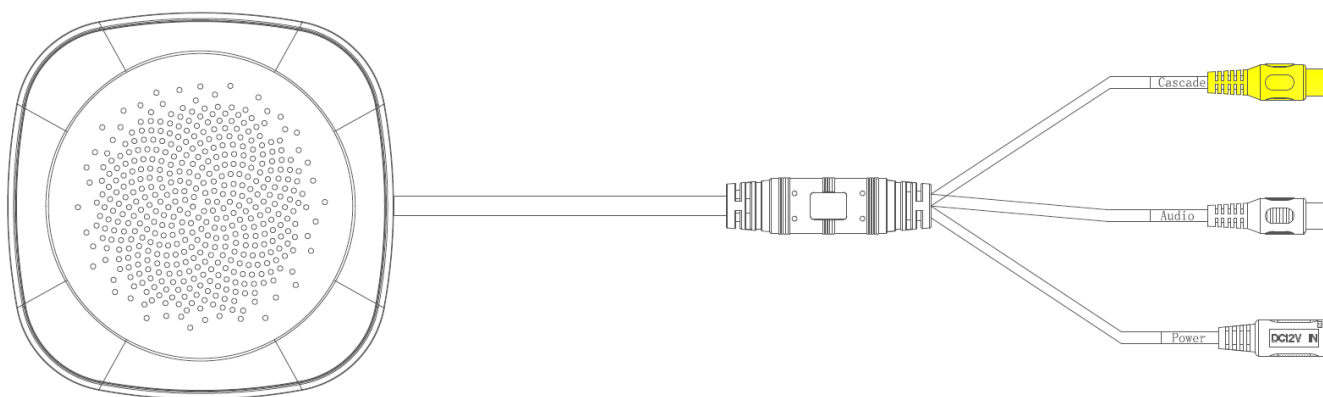
- Plastic material
- Easy to install
- ALC processing circuit
- Basic noise reduction
- Support cascading

Technical Specifications

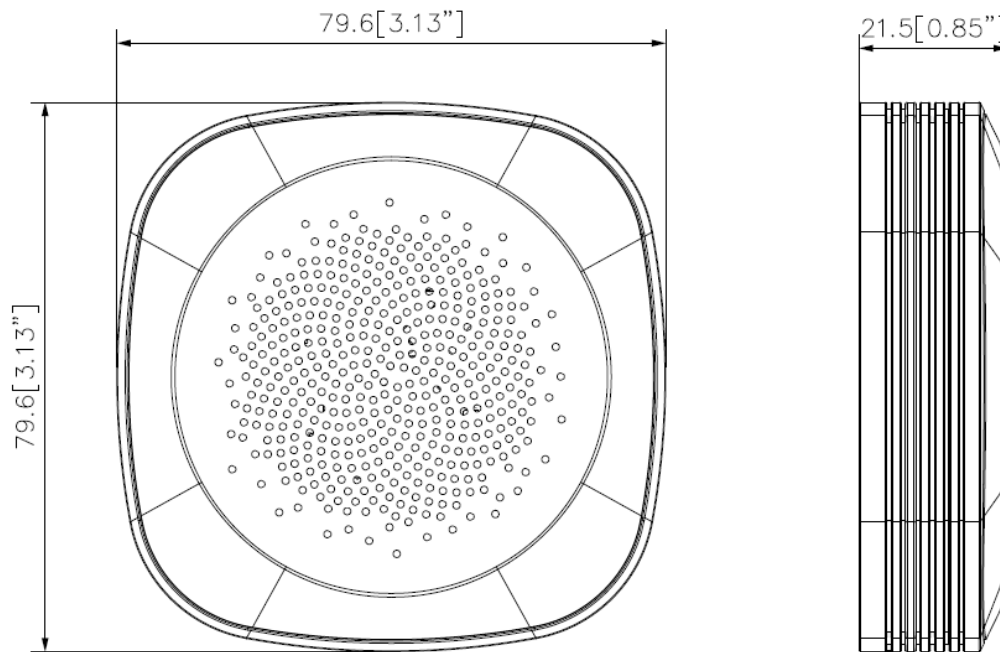
Model	DH-HAP200
General	
Scope	10~100 m ²
Sensitivity	-30dB
Frequency response	20Hz~20kHz
Directional characteristic	Omni-directional
SNR	80dB(1m 40dB sound source SPL) 50dB(10m 45dB sound source SPL) 1kHz at 1Pa
Dynamic range	104dB(1KHz at Max dB SPL)
Max. sustainable sound pressure	120dB SPL(1KHz, THD 1%)
Output impedance	600Ω(non-equilibrium)
Output signal amplitude	2.5Vpp/-25dB
Microphone	Electret condenser microphone
Working voltage	DC 12V(9~18V)
Working current	50mA
Working temperature	-25°C~+70°C(-13°F ~+158°F)
Material	PC+ABS
Color	White+silver
Dimension	79.6mmx79.6mmx21.5mm (3.13"x3.13" x0.85")
Weight	0.06kg(0.13lb)
Certification	CE/FCC

Interface information

- RCA female connector *2
- DC power connector



Dimensions (mm/inch)



Package Information

- Hi-fidelity pickup *1
- ST4x25 screw *3
- Plastic anchor *3
- Mounting sticker*1