

# Water-proof Wall Mount Bracket

For use with applicable fixed dome cameras



- Aluminum Construction
- Designed for Reliability and Aesthetics
- Multiple Wire Routing Ports for a Clean Look
- Safety Tether Included for Secure Installation

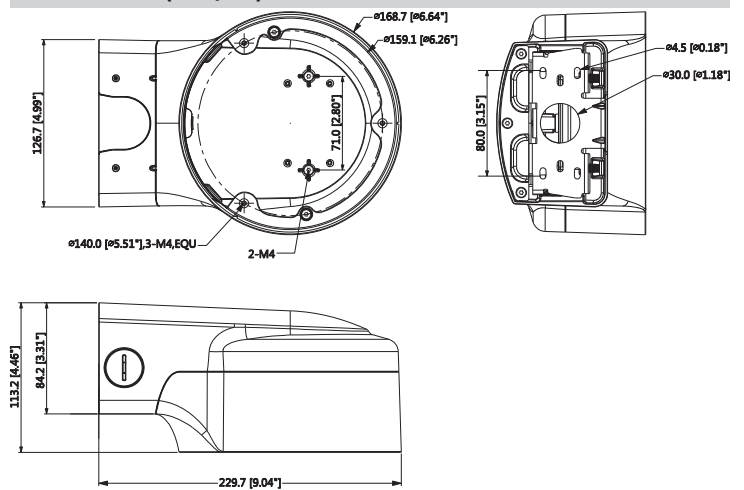
## Technical Specifications

Material	Aluminum
Color	White
Dimensions (W x H x D)	229.70 mm x 168.70 mm x 113.20 mm (9.04 in. x 6.64 in. x 4.46 in.)
Weight	0.93 kg (2.05 lb)
Load Bearing Capacity	3.0 kg (6.61 lb)
Operating Temperature	-40 °C to 60 °C (-40 °F to 140 °F)
Humidity	0% to 90% RH

## Ordering Information

Type	Part Number	Description
Wall Mount	PFB210W	Water-proof Bracket
Hardware Included		4 x ST4 x 25 Wall Anchors 3 x M4 x 18 Screws 1 x Hex Wrench 1 x Safety Tether

## Dimensions (mm/in.)



## Application

