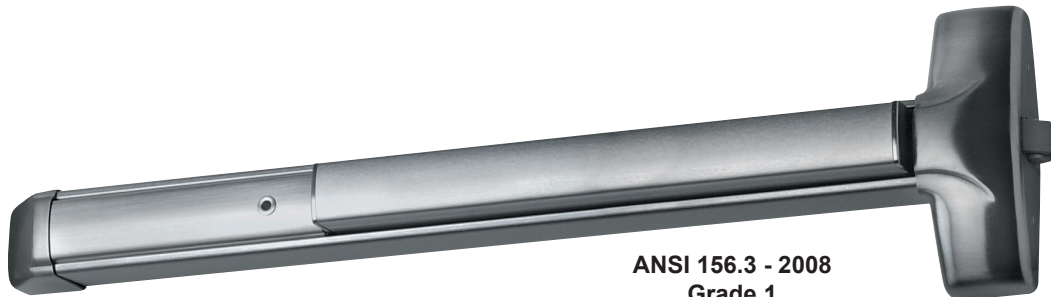




## 10 SERIES

### Rim Exit Device

The 10 Series rim exit device is super-heavy-duty panic and fire exit hardware for use on all types of single and double doors with mullions. The patented mounting plate and strike locator system ensures the easiest and most accurate installation of panic hardware available.



ANSI 156.3 - 2008  
Grade 1  
Type 1

#### Benefits

- Tough and durable design for years of trouble-free service in high-use, high-abuse environments
- Fast and accurate installation
- Minimal door prep saves time and money
- Outside trims are easily changed or re-keyed without removing device from door

#### Features

- Patented mounting plate and strike locator system replaces paper templates
- Tested beyond 1,000,000 cycles - Twice the cycling required for Grade 1 UL testing
- Heavy-duty angled end-cap deflects damage away from device
- Stainless steel deadlocking, Pullman-type latch bolt
- All exposed surfaces are finished over stainless steel with PVD, an environmentally-friendly finishing process
- Non-handed
- Field sizeable
- 1/8 turn hex or cylinder dogging

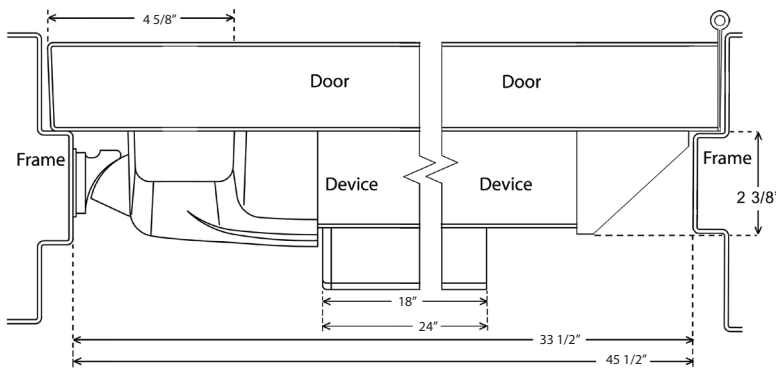
#### Mechanical Options

- F - 3-Hour Fire Rated
- H - Hurricane Rated
- AM - Anti-Microbial Coating
- BP-3 Mounting plate (call factory for retrofit information)
- BP-5 Mounting Plate (call factory for retrofit information)
- SLR - Silencer
- CD - Cylinder Dogging
- HD - Hex Dogging (Std.)
- LD - Less Dogging
- 99 - Surface Strike (Std.)
- 98 - Semi Mortise Strike
- EC1, EC2 - See Advantex 10xW
- 30 - Fits 30" Door Width
- 36 - Fits 36" Door Width (Std.)
- 48 - Fits 48" Door Width

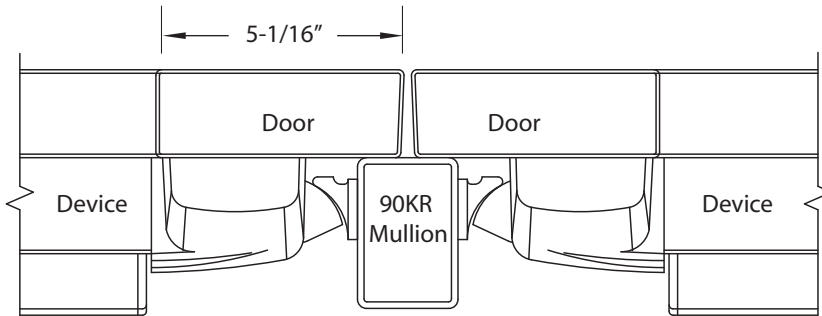
#### Electrical Options

- Exit Alarm (EA)
  - Electric Dogging (ED)
  - Electric Integration (EI)
  - Electric Latch Retraction (ER)
  - Delayed Egress - Self Contained (EE)
  - Delayed Egress with Latch Retraction (EExER)
  - Delayed Egress - Mag Lock (EM)
  - Electric Unlock (EU)
  - Latch Bolt Signaling (LX)
  - Latch Bolt Signaling for High Voltage (LXV)
  - Electric Switching (ES)
  - Request to Exit (EX)
  - Request to Exit for High Voltage (EXV)
  - Request to Exit Weatherized (EXxW)
  - Request to Exit Weatherized for High Voltage (EXVxW)
- Refer to Electrified Options section for more information

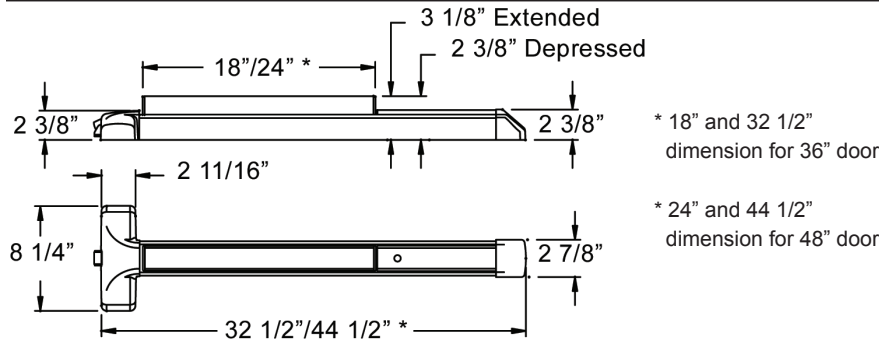
## Single Door



## Double Door with 90KR Mullion



## Dimensions



## Listings and Approvals



UL Listed Panic Hardware



UL10B/UL10C for positive pressure



UL Listed Fire Exit Hardware for 3 hours, maximum 4'x10' single doors and pairs of 4'x8' with F90KR keyed removable mullion



Meets NFPA 80 & 101 for Life Safety



Meets ADA requirements



Miami-Dade County, Florida NOA 15-0415.08

State of Florida Approval FL9052



ANSI/BHMA certified A156.3



California State Fire Marshall 4140-0127:105 and 3725-0127:108

## Accessories

- GB1 - Glass Bead Kit
- SN1 - Sex Nut Kit (2 per package)
- SSK - Security Torx Screw Kit
- Trim Functions (see Outside Trims)
- Electrified Options (see Electrified Options)

## Technical Information

- Door Types - Wood, Hollow Metal, Fiberglass or Aluminum
- Door Thickness - Fits standard 1-3/4" - 2-1/4" doors (for other door thicknesses contact factory)
- Minimum Stile - 4-5/8" with standard 99 strike; 4-1/8" with optional 98 strike
- Fasteners - Machine and Self-Drilling Screws standard

## Finishes

- |              |                          |
|--------------|--------------------------|
| 605 / US3    | Polished Brass           |
| 606 / US4    | Brushed Brass            |
| 611 / US9    | Polished Bronze          |
| 612 / US10   | Brushed Bronze           |
| 613 / US10B  | Oil Rubbed Bronze        |
| 628 / US28   | Aluminum Satin           |
| 629 / US32   | Polished Stainless Steel |
| 630 / US32D  | Brushed Stainless Steel  |
| 693 / SPBLK  | Black, Painted           |
| 695 / SP 313 | Dark Bronze, Painted     |

## Detex Limited Warranty

10 Year Mechanical/3 year Electrical Limited Manufacturer's Warranty

*Where Trust is Built™*  
**DETEX®**  
*Life Safety and Security Door Hardware*

Detex Corporation  
 302 Detex Drive  
 New Braunfels, Texas 78130-3045 USA  
 PH. (830) 629-2900  
 (800) 729-3839  
 FAX (800) 653-3839  
 http://www.detex.com  
 USA Sales:  
 marketing@detex.com  
 International Sales:  
 export@detex.com