

HD Video Surveillance Made Easy.™



Cameras



Recorders



Software

Blackjack[®] NAS

Network Attached Storage



NAS storage solutions for Blackjack[®] server or MEGApix[®] CaaS systems.

DW • DIGITAL
WATCHDOG[®]
Complete Surveillance Solutions

Blackjack[®] NAS

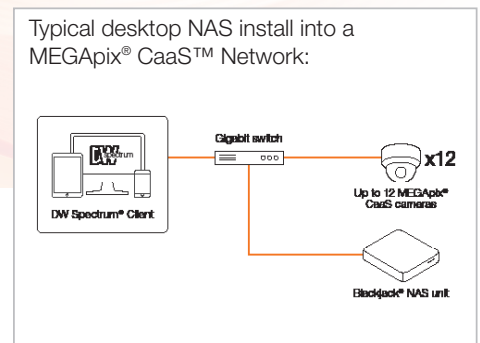
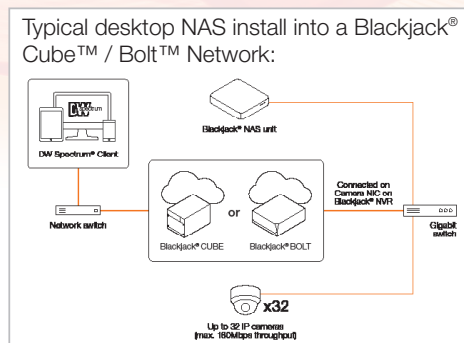
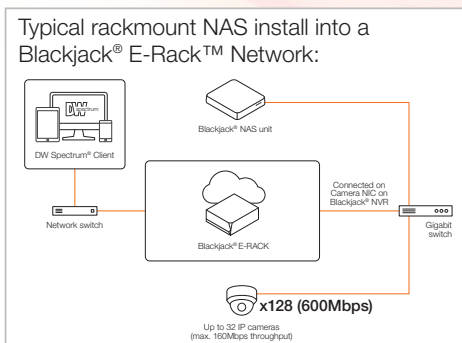
NAS storage solutions for Blackjack[®] server or MEGApix[®] CaaS server systems*

Blackjack[®] NAS[™] are high-reliability network attached storage devices for Blackjack[®] Cube[™] and Bolt[™] Servers or MEGApix[®] CaaS[™] edge cameras. The devices act as recording backup for existing DW Spectrum[®] IPVMS systems. Models offer 4-20TB storage and optional RAID1. The desktop models can be integrated into a Blackjack[®] system with up to 160Mbps throughput, or a MEGApix[®] CaaS[™] system with up to 12 edge camera servers.



Blackjack[®] NAS[™] 8 and 16-bay rack mount devices integrate easily into a Blackjack[®] E-Rack[™] system with a total of up to 600Mbps throughput, the equivalent of up to 128 2.1MP single-sensor IP cameras. The 2U and 3U rack mount models offer up to 160TB storage and RAID, allowing you to record and backup more days of video without the need for additional video recorders.

The Blackjack[®] NAS[™] integrates seamlessly into a DW Spectrum[®] IPVMS system, allowing for an instant search and data management and is backed by Digital Watchdog's unbeatable 5 year limited warranty.



128x
Blackjack[®] System
600Mbps
 Max. Throughput
 Hot-Swappable HDD
 RAID
 Dual Power Supply
 5 YEAR
 Warranty

Product Features:

Blackjack[®] NAS[™] desktop models

- Add a NAS station to a Blackjack[®] Cube[™] and Bolt[™] server up to 32 cameras to quickly expand local storage and backup up to 160Mbps throughput
- Add a NAS station to a MEGApix[®] CaaS[™] network with up to 12 cameras
- Storage options 4-20TB internal storage
- RAID 1 option available (DW-BJNASxTR models)
- Linux[®] embedded OS
- 5 year limited warranty

Blackjack[®] NAS[™] rackmount models

- Add a NAS station to a Blackjack[®] E-Rack server with up to 128 cameras to quickly expand local storage and backup capacity at up to 600Mbps throughput.
- Storage options 40TB, 80TB and 160TB internal storage options
- RAID 5
- Proprietary Linux[®] embedded OS
- Redundant power supply (DW-BJ16NASxTR models)
- Hot swappable drives
- Rail kit included
- 5 year limited warranty

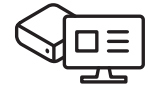
Key Features:



Centralize your file storage, sharing and backup with excellent performance.

Blackjack[®] NAS products offer the ideal supplement for existing systems with optimized network load and continuous archiving. Critical video and audio can be stored for a longer time.

Add and manage recording from DW Spectrum[®] IPVMS client software.



Blackjack[®] NAS storage devices easily integrate into DW Spectrum[®] IPVMS software, allowing for simple addition, removal and recording setup all done from the same user-friendly UX of the DW Spectrum[®] IPVMS client.

Manage NAS Stations



Extend storage for existing DW Spectrum[®] systems, adding more days and more cameras with no additional dedicated server.

Extend Storage

The Blackjack[®] NAS offers lower costs and greater flexibility than adding new servers to an existing system. The Blackjack[®] NAS desktop products can be implemented into a MEGApix[®] CaaS[™] network with up to 12 cameras, or a Blackjack[®] network with up to 160Mbps, the equivalent of 32 2.1MP cameras. The Blackjack[®] NAS rack mount products can be implemented into a Blackjack[®] network with up to 600Mbps, the equivalent of 128 2.1MP cameras.

Expandable storage with RAID 1 and RAID 5 options.



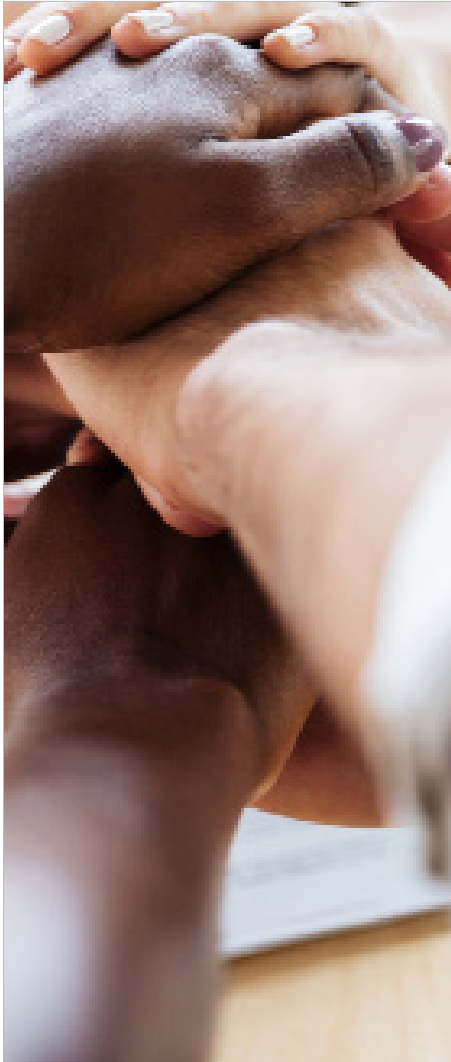
Blackjack[®] NAS offers expandable storage solutions for existing Blackjack[®] or MEGApix[®] CaaS[™] systems. With optional RAID capabilities in a multi-drive NAS, your data is safe even if one drive fails.

Product selection:



PART NUMBERS	DW-BJNASxT	DW-BJNASxTR	DW-BJ8NASxTR	DW-BJ16NASxTR
Operating system	Linux [®] embedded		Proprietary Linux [®] embedded	
Form factor	Desktop		19" rack mount (2U)	19" rack mount (3U)
Maximum storage capacity	20TB (2 x 10TB)	10TB (2 x 10TB, RAID)	70TB (8 x 10TB, RAID)	140TB (16 x 10TB, RAID)
Max. recording channel	12ch with MEGApix [®] CaaS [™] Max 32 2.1MP cameras with Blackjack [®] Bolt [™] and Blackjack [®] Cube [™]		Max 128 2.1MP cameras with Blackjack [®] E-Rack [™]	
Max. recording bandwidth	Max. 160Mbps throughput		Max. 600Mbps throughput	
LCD	N/A		RAID status, HDD status, network status (IP info), model info (model name and serial number), firmware info	RAID status, HDD status, network status (IP info), model info (model name and serial number), firmware info
Power consumption	DC 12V, 36W, 3A		Single SMPS 250W 100 ~ 240 VAC; 50/60 Hz, 4.0~1.5A at 100/240VAC	Dual SMPS 520W redundant, hot swappable 100 ~ 240 VAC; 50/60 Hz, 5.8~4A at 100/240VAC
Dimensions (WxDxH)	10.2" x 11.02" x 2.1" (258 x 280 x 53mm)		17.4" x 3.5" x 18.0" (442 x 88 x 458 mm)	17.4" x 5.2" x 23.4" (442 x 133 x 595 mm)
Warranty	5 year limited			

Support and Resources to Ensure Our Success.



Exceptional Pricing and Service for Our Best Customers.

The Digital Watchdog® Partner Integrator Program is dedicated to those who sell the complete line of DW® video surveillance solutions.

What's in it for me?

With your annual purchase commitment, you receive:

- Partner Pricing Program
- Project Registration Program
- Training and Certification
- Demo Equipment
- Product Roadmap Meetings
- Co-Marketing Collateral (MDF)
- Extended Warranty
- Enhanced Tech Support Experience

See Program details for qualifications and inclusions at:
portal.digital-watchdog.com.

Contact Digital Watchdog



California Office
16220 Bloomfield Avenue
Cerritos, California USA 90703
Hours: 8:00am – 5:00pm PST.



Florida Office
5436 West Crenshaw Street
Tampa, Florida USA 33634
Hours: 8:30am – 5:30pm EST.

Phone (Toll-Free) 1.866.446.3595
 Fax 1.813.888.9262
 Customer Service (U.S) 1.866.446.3595
 Customer Service (International) 1.813.888.9555
 Customer Service (French)..... 1.514.360.1309
 Sales Email Sales@dwcc.tv
 Tech Support Email DW-Tech@dwcc.tv