



DW-BJCUBE

**DW spectrum™**  
IPVMS 2.3



## Summary

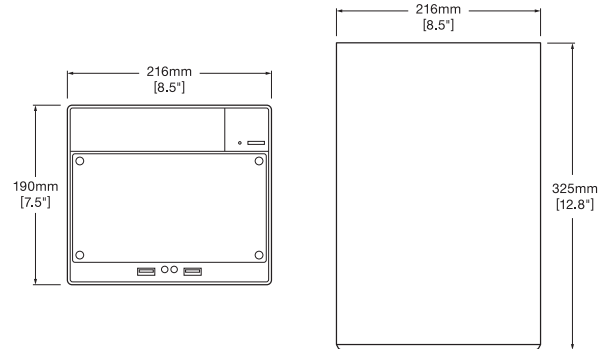
The Window-Based Blackjack CUBE™ is a powerful Network Video Recorder Powered by DW Spectrum™ IPVMS. The NVR can record and manage up to 64 2.1mp 1080P Cameras at 30fps, with 360 Mbps throughput. The hardware supports DVI-D/DVI-I HD output for local monitoring, Intel® i5® Processor, Dual Network Card and Graphic System Health Monitor with scheduled auto reboot for hardware performance. The Blackjack™ NVR supports cross platform connectivity for Windows® and Mac® client software, allowing you to monitor and connect to your system from anywhere. The NVR is powered by DW Spectrum™ IPVMS, offering you great features such as Automatic Camera Detection, Fully Customizable Layouts, Easy Drag and Drop Camera Management and Recording, E-Mapping and Advanced Motion Masking and Sensitivity Settings. The Blackjack™ NVR is ONVIF Profile S conformant and is available with 3–18TB HDD for true Enterprise Scalability and come with an unbeatable 5 Year Limited Warranty.

## Features

- Supports All ONVIF Conformant IP Cameras and the VMAX™ DVR Series (Hybrid IP & Analog)
- Storage Options 3–9TB Internal Storage
- Record up to 64 IP Cameras with Total Throughput of 360Mbps
- Local Monitoring Outputs Ports
- Dual Network Ports
- USB & SD Card Interface
- OS Programming Information
- Hosting DW Spectrum™ for Setup, Configuration, Monitoring and Recording
- One-time Recording License Charge, Fully Transferable Between Cameras and Encoders
- No Annual Maintenance Fees
- Simple Enterprise Scalability
- Auto Device Discovery
- Dual Stream Recording

Dimensions (unit : mm [inch])

**5 YEAR LIMITED WARRANTY**



## Specifications

**ONVIF**

|   |                        |   |
|---|------------------------|---|
| Operating System  |                        | Windows® 7 64 Bit   |
| System  | IP Cameras             | Max 64 IP Cameras*  |
|   | Communication Protocol | ONVIF®  |
|   | Max Throughput         | 360 Mbps  |
|   | Recording Speed        | 1080p: 1920fps  |
|   | Screen Mode            | Unlimited Layouts   |
| Max. HDD Bay  |                        | 3 x SATA HDD  |
| Video-In  |                        | IP Megapixel Cameras  |
| Video-Out   | Monitor                | DVI-I, DVI-D, HDMI  |
|   | Resolution             | HD 1080p  |
| Recording Resolution  |                        | Dual Stream   |
| Recording Modes   |                        | Continuous, Motion, Motion + Low Res Always Recording<br>Pre and Post Alarm Recording, Quick Backup |
| Playback & Search   | Speed                  | x1, x2, x4, x8, x16   |
|   | Function               | Intelli-Search Time Bar, Smart Motion Search, Calendar Search, Thumbnail Search, Panoramic Search   |
| CPU   |                        | Intel® i5® Processor  |
| Memory  |                        | 8GB   |
| LAN   |                        | 2x Gigabit Ethernet (RJ45)  |
| Remote Software   |                        | DW Spectrum™ IPVMS Suite  |
| Backup Device   |                        | Local Backup by USB, File Upload to NAS   |
| Other Function  | Firmware Upgrade       | USB, CMS  |
|   | Back Up                | USB, CMS  |
|   | Health Check           | Server and Camera Health Check with Camera Diagnosis Tool   |
| Power   |                        | 100VAC: 250W, 2.5 Amps  |
| Operating Temperature and Humidity (Recommended for installation environment) |                        | 10°C – 35°C (50°F – 95°F)   |
| Dimensions  |                        | 325mm L x 216mm W x 190mm H (12.8" L x 8.5" W x 7.5" H)   |
| Certification   |                        | CE & FCC, RoHS  |

\*NOTE: Maximum supported IP Cameras must be equal to max throughput information. Specifications subject to change without notice.