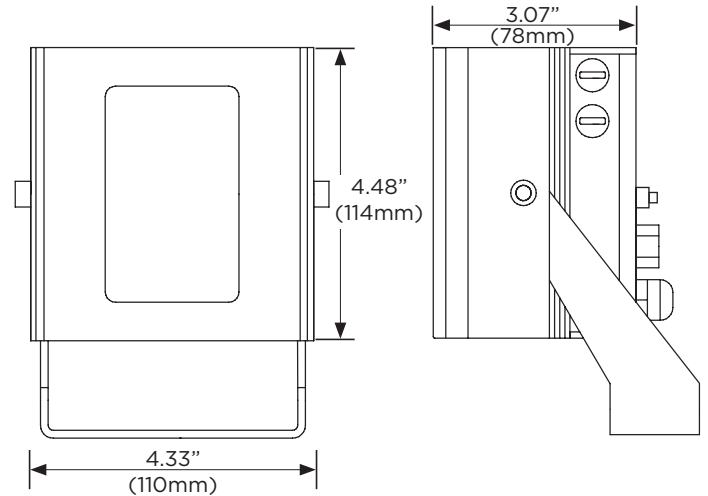




### Dimensions

unit: Inch (mm)



### Summary

The DW-ILIRIP850 is an IP-enabled Infra-Red (IR) LED outdoor illuminator. The illuminator incorporates the latest surface mount Dual-Core™ LEDs, combined with enhanced optical output and outstanding reliability to provide users with smart lighting solutions for a wide range of applications. The DW-ILIRIP850 lighting includes an interchangeable lens pack to deliver a variety of angles out of the box providing users the flexibility to create different elliptical beam profiles.

### Features

- Infra-red LED illuminator
- Interchangeable lens pack to deliver a variety of angles out of the box
- Create different elliptical beam profiles
- Coverage distance up to 614' (187m). See table on page 2.
- Configure lights to switch on when motion is detected
- Activate white-light to deter intruders
- Adjustable photocell and illumination levels
- 850nm wavelength
- Web interface built-in
- High-power Dual-Core™ LEDs with advanced, current limited, integral control circuitry
- IP66 environmental-rated dust-tight and water-resistant
- IK 09-rated impact-resistant

### Specifications

CONSTRUCTION	Robust high-quality aluminum extrusion
PHOTOCELL	Adjustable 20 - 70 lux
ILLUMINATION	Adjustable 10% - 100%
OPERATING TEMPERATURE	-58°F to 122°F (-50°C to 50°C)
MOUNT	Powder coated stainless steel wall mount
INPUT	PoE+ (IEEE802.3at)
CONSUMPTION	25W
IP RATING	IP66 environmental-rated dust-tight and water-resistant in accordance with EN60529:1992
ELECTRONICS	High efficiency surface mount high power Dual-Core™ LEDs with advanced, current limited, integral control circuitry.
RECOMMENDED PSU	Any IEEE 802.3at injector (not included)
REMOTE ACCESS	Web browser user interface. No software or installation needed.
WARRANTY	2 year warranty

### Accessories (optional)



DW-ILWM1  
Mounting bracket for a single (1) illuminator



DW-ILWM3  
Mounting bracket for three (3) illuminators



DW-ILWM2  
Mounting bracket for two (2) illuminators



DW-ILPM1  
Pole mount bracket for a single (1) illuminator

(See second page for coverage details)

Product Code	Wavelength	Angle	Distance		FOV	
DW-ILIRIP850	850nm	10° - Circular	187m	614'	33m	107'
		20° - Elliptical	128m	418'	45m	148'
		30° - Elliptical	94m	307'	50m	164'
		60° - Elliptical	60m	195'	69m	225'
		80° - Elliptical	43m	139'	71m	234'
		95° - Elliptical	30m	98'	65m	213'