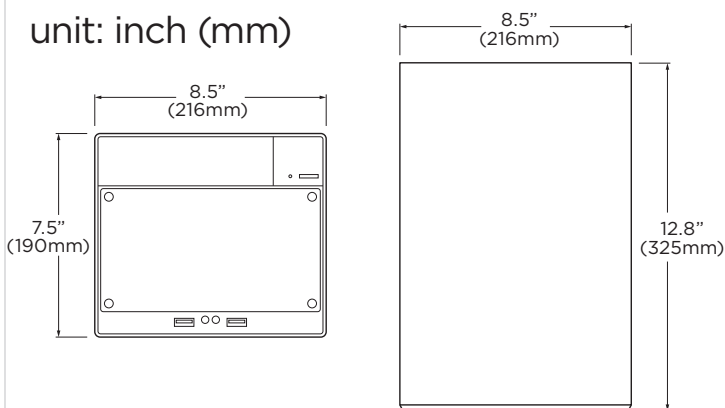




Dimensions

unit: inch (mm)



- 3-18TB Storage
- Record up to 64 IP Cameras
- HD Output
- Two NIC Cards
- IPVMS
- 5 YEAR Limited Warranty

Summary

The Blackjack[®] Cube[™] server can record and manage single-sensor IP cameras of any resolution, with a maximum of 360Mbps throughput. The hardware includes DVI-D/DVI-I outputs, Windows[®] 10 IoT OS, and dual network card. The server is ONVIF conformant and is available with 3-18TB HDD and 5 year limited warranty.

Features

- Supports all ONVIF conformant IP cameras
- Record and manage single- and multi-sensor IP cameras of any resolution up to maximum 360Mbps throughput
- Storage options 3-18TB internal storage
- DVI-D or true HD video output
- Dual network ports
- Windows[®] 10 IoT OS
- Hosting DW Spectrum[®] IPVMS for setup, configuration, monitoring and recording
- One-time recording license charge, fully transferable between cameras and encoders
- One (1) DW Spectrum[®] IPVMS 4-channel licenses included (DW-SPECTRUMLS004)
- No annual maintenance fees
- Simple enterprise scalability
- Auto device discovery
- Dual stream recording
- 5 year limited warranty



Available models

- DW-BJCUBE3T - 3TB storage
- DW-BJCUBE9T - 9TB storage
- DW-BJCUBE4T - 4TB storage
- DW-BJCUBE12T - 12TB storage
- DW-BJCUBE6T - 6TB storage
- DW-BJCUBE18T - 18TB storage

Specifications

Included IP licenses	4	
Form factor	Desktop	
Operating system	Windows [®] 10 IoT	
CPU	Intel [®] i5 [®] processor	
Memory	16GB	
NIC	2x gigabit ethernet (RJ45)	
System	Max video storage rate (Mbps)	360 Mbps
	Maximum hard drives	3 x SATA HDD
Storage	Maximum storage	18TB
	Outputs	DVI-D or true HD output
Video-out	Resolution	HD 1080p
	Preloaded VMS software	DW Spectrum [®] IPVMS
Unlimited remote clients	Cross platform - Windows [®] , Linux [®] and Mac [®]	
Mobile apps	iOS [®] and Andriod [®]	
Keyboard and mouse	Included	
Power	300W**	
Voltage	AC input: 100-240Vac 6-3A 60-50Hz	
	DC output: +12V116A +12V216A +5V 15A +3.3V 12A +5Vsb 2A -12V 0.3A	
Operating temperature and humidity	41°F-104°F (5°C-40°C) / 20-90% RH	
Dimension (WxDxH) (inches)	8.5" x 12.8" x 7.5" (215.9 x 325.1 x 190.5 mm)	
Warranty	5 year limited	
* Available at time of initial order only / ** UPS recommended		

Designed and Commissioned in the U.S.A.

