



2.1 Megapixel
 STAR-LIGHT™
 AHD Signal
 2.8-12mm Varifocal Lens
 IP66 Rated
5 YEAR Warranty

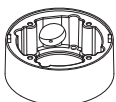
Summary

STAR-LIGHT AHD™ Cameras with IR use existing coaxial cables to transmit crystal-clear 1080p images in any lighting conditions and increase system ROI. HD Analog provides an easy system upgrade to high definition video.

Features

- Analog High Definition (HD Analog) HD over Coax Technology
- STAR-LIGHT™ Super Low Light Technology
- 1/3" CMOS Sensor
- 2.1MP, 1080p Resolution at 30fps
- Wide Dynamic Range (WDR)
- 2.8~12mm Varifocal P-Iris Lens
- OSD Control Via Coaxial (UTC)
- Smart IR™ with Intelligent Camera Sync. 100ft Range
- Smart DNR™ 3D Digital Noise Reduction
- Highlight Masking Exposure (HME)
- True Day/Night with Mechanical IR Cut Filter
- De-Fog™ Extreme Weather Image Compensation
- Auto Sensing 24VAC/12VDC with Line Lock
- Secondary Video-BNC Output
- Easy Icon Driven OSD Menu with Built-in Joystick
- Programmable Privacy Zones
- Auto Gain Control (AGC)
- Backlight Compensation (BLC)
- Dynamic Range Compressor (DRC) Reveals Low Light Detail
- Auto White Balance (AWB)
- RS-485 Built-in
- IP66 Certified (Weather Resistant)
- 5 Year Warranty

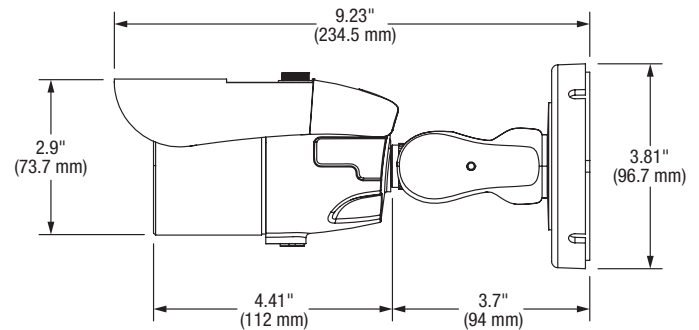
Accessories (Optional)



DWC-BLJUNC
Junction Box for Bullet Cameras

Dimensions

Unit: Inch (mm)



Specifications

IMAGE	
Image Sensor	1/3" CMOS
Active Pixels	1944 (H) x 1092 (V)
Scanning System	Progressive Scan
Frequency	60Hz / 50Hz
Signal Technology	2.1 Megapixel AHD
Synchronization	Internal
Resolution	1920x1080 (1080p)
Minimum Scene Illumination	F1.4 (30IRE): 0.35Lux [Color]
	F1.4 (30IRE): 0 Lux [B&W]
S/N Ratio	55dB
Video Output	AHD 1080p30fps / 720p60fps / 720p30fps
Alarm Output	1 Alarm Output
LENS	
Focal Length	2.8 ~ 12mm
Lens Type	Vari-Focal P-Iris
IR Distance	100ft
OPERATIONAL	
Shutter Speed	1/30(25) – 1/30,000
Backlight	Off / On
STAR-LIGHT (Sense-up)	Off, x2 – x32
Wide Dynamic Range (WDR)	Off / On
Digital Noise Reduction	Off, Low, Middle, High
White Balance	Auto / Auto-Ex / Preset / Manual
Day and Night	Day / Night / Auto
Mirror / Flip	Yes
Auto Gain Control	Max 60dB
Motion Detection	Yes
Privacy Zones	16 Privacy Zones
Sharpness	0 ~ 10
Gamma	0.45 ~ 0.75
RS485 / UTP Built-in	PELCO D / PELCO C
Digital Zoom	x1.0 ~ x16.0
ENVIRONMENTAL	
Operating Temperature	-4°F ~ 122°F (-20°C ~ 50°C)
Operating Humidity	Less than 90% (Non-Condensing)
IP Rating	IP66 (Weather Resistant)
Other Certifications	FCC, CE, ROHS
ELECTRICAL	
Power Requirements	DC12V / AC24V Dual Voltage
Power Consumption	DC12V: 3.17W, 264mA, LED On: 4.36W, 363mA
	AC24V: 3.12W, 130mA, LED On: 4.4W, 183mA
MECHANICAL	
Material	Aluminum
Dimensions	9.23 x 3.23 inch (234.5 x 82.2 mm)
Weight	1.65 lbs (748.4 gr)