



2.1 Megapixel STAR-LIGHT™ AHD Signal 6-50mm Varifocal Lens IP66 Rated **5YEAR** Warranty

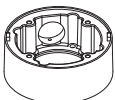
Summary

STAR-LIGHT AHD™ Cameras with IR use existing coaxial cables to transmit crystal-clear 1080p images in any lighting conditions and increase system ROI. The varifocal lens can bring distant views up close. HD Analog provides an easy system upgrade to high definition video.

Features

- Analog High Definition (HD Analog) HD over Coax Technology
- STAR-LIGHT™ Super Low Light Technology
- 1/3" CMOS Sensor
- 2.1MP, 1080p Resolution at 30fps
- Wide Dynamic Range (WDR)
- 6~50mm Varifocal P-Iris Lens
- OSD Control Via Coaxial (UTC)
- Smart IR™ with Intelligent Camera Sync. 150ft Range
- Smart DNR™ 3D Digital Noise Reduction
- Highlight Masking Exposure (HME)
- True Day/Night with Mechanical IR Cut Filter
- De-Fog™ Extreme Weather Image Compensation
- Auto Sensing 24VAC/12VDC with Line Lock
- Secondary Video-BNC Output
- Easy Icon Driven OSD Menu with Built-in Joystick
- Programmable Privacy Zones
- Auto Gain Control (AGC)
- Backlight Compensation (BLC)
- Dynamic Range Compressor (DRC) Reveals Low Light Detail
- Auto White Balance (AWB)
- RS-485 Built-in
- IP66 Certified (Weather Resistant)
- 5 Year Warranty

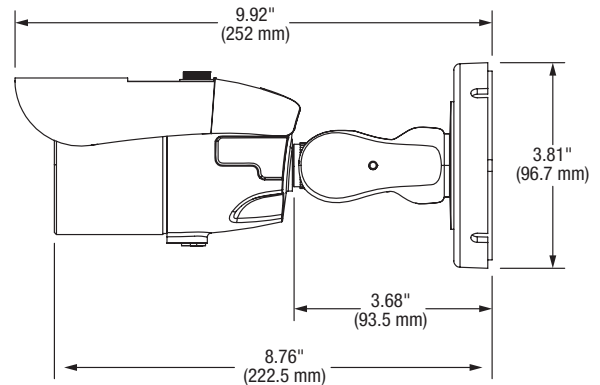
Accessories (Optional)



DWC-BLJUNC
Junction Box for Bullet Cameras

Dimensions

Unit: Inch (mm)



Specifications

IMAGE	
Image Sensor	1/3" CMOS
Active Pixels	1944 (H) x 1092 (V)
Scanning System	Progressive scan
Frequency	60Hz/50Hz
Signal Technology	2.1 Megapixel AHD
Synchronization	Internal
Resolution	1920x1080 (1080p)
Minimum Scene Illumination	F1.4 (30IRE): 0.35Lux [Color]
	F1.4 (30IRE): 0 Lux [B&W]
S/N Ratio	55dB
Video Output	AHD 1080p30fps/720p60fps/720p30fps
Alarm Output	1 Alarm Output
LENS	
Focal Length	6 ~ 50mm
Lens Type	Vari-Focal P-Iris
IR Distance	150ft
OPERATIONAL	
Shutter Speed	1/30(25) – 1/30,000
Backlight	Off/ On
STAR-LIGHT (Sense-up)	OFF, x2 -x32
Wide Dynamic Range (WDR)	Off/ On
Digital Noise Reduction	Off, Low, Middle, High
White Balance	Auto / Auto-Ex / Preset / Manual
Day and Night	Day / Night / Auto
Mirror / Flip	Yes
Auto Gain Control	Max 60dB
Motion Detection	Yes
Privacy Zones	4 Privacy Zones
Sharpness	0 ~ 10
Gamma	0.45 ~ 0.75
RS485 / UTP Built-in	PELCO D / PELCO C
Digital Zoom	x1.0 ~ x16.0
ENVIRONMENTAL	
Operating Temperature	-4°F ~ 122°F (-20°C ~ 50°C)
Operating Humidity	Less than 90% (Non-Condensing)
IP Rating	IP66 (Weather Resistant)
Other Certifications	FCC, CE, ROHS
ELECTRICAL	
Power Requirements	DC12V / AC24V Dual Voltage
	DC12V: 3.17W, 264mA, LED On: 4.95W, 412mA
Power Consumption	AC24V: 3.12W, 130mA, LED On: 4.87W, 202mA
MECHANICAL	
Material	Aluminum
Dimensions	9.92 x 3.81 inch (252 x 96.7 mm)
Weight	2.05 lbs (829.9 gr)