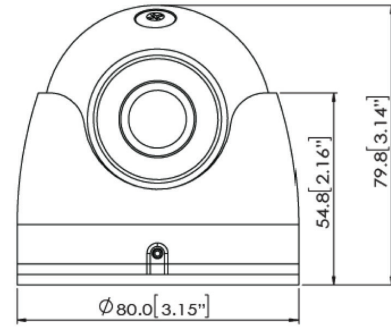




DWC-BL2651TIR

Dimensions (unit : mm)

5 YEAR
WARRANTY



Summary

The new STAR-LIGHT™ Megapixel Analog Cameras provide groundbreaking technology to deliver the highest analog resolution offered in the market. These Cameras offer powerful features such as STAR-LIGHT™ low light technology, WDR, True Day/Night Mechanical Cut Filter and Smart IR™, Smart DNR™ 3D DNR, Quick Zoom™ technology, HME, De-Fog™ Enhancement for Extreme Weather Conditions, and support for both 16:9 and 4:3 view angles. All cameras are equipped with a 1/3" 1.3MP CMOS sensor, allowing the cameras to display 800TVL in color and 820TVL in B/W mode.

Features

- 1/3" Sony® 1.3MP CMOS, 820TVL [B/W], 800TVL [Color]
- QuickZoom™ Full Frame 2x Digital Zoom with no Loss in Resolution
- STAR-LIGHT™ Super Low Light Technology
- Wide Dynamic Range (WDR)
- 3.6mm Fixed Lens
- Smart IR™ with Intelligent Camera Sync. 50ft Range
- Smart DNR™ 3D Digital Noise Reduction (DNR)
- Highlight Masking Exposure (HME)
- De-Fog™ (Extreme Weather Image Compensation)
- Secondary Video-BNC Output
- True Day/Night with Mechanical IR Cut Filter
- Programmable Privacy Zones
- Auto Gain Control (AGC)
- Backlight Compensation (BLC)
- Dynamic Range Compressor (DRC) Reveals Low Light Detail
- Auto White Balance (AWB)
- IP66 Certified (Weather Resistant)

Specifications

IMAGE	
Image Sensor	1/3" Sony® 1.3 Megapixel CMOS Sensor
Active Pixels	1280 (H) x 1024 (V)
Scanning System	2 : 1 Interlace
Frequency	15.734KHz (H), 59.95Hz (V)
Synchronization	Internal
Horizontal Resolution	820 TV Lines [B/W], 800 TV Lines [Color]
Minimum Scene Illumination	0.14 Lux (F1.2, 30IRE) at Color 0.03 Lux (F1.2, 30IRE) at TDN (B/W)
Video Output	CVBS: 1.0Vp-p / 75 Ω
S/N Ratio	55dB (AGC Off)
LENS	
Focal Length	3.6mm
Lens Type	Fixed Lens
IR Distance	50 feet
OPERATIONAL	
Shutter Speed	50 (60) – 60,000s
Backlight	OFF / HME / BLC / WDR
STAR-LIGHT (Sense-Up)	OFF / x2 ~ x64
3D DNR	Off, Low, Middle, High
White Balance	ATW / AWB / PUSH / MANUAL
Day and Night	Auto, Day, Night
Mirror and Flip	On, Off
Auto Gain Control	0 – 20
Intelligent Motion Detection	Digital QuickZoom™
Motion Detection	4 Motion Regions
Privacy Zones	16 Programmable Privacy Masks
Sharpness	0 – 10
Gamma	0.45 – 0.65
De-Fog™	OFF / ON
ENVIRONMENTAL	
Operating Temperature	-20°C ~ 60°C (-4° ~ 140°F)
Operating Humidity	Less than 90% (Non-Condensing)
IP Rating	IP66 (Weather Resistant)
Other Certifications	FCC, CE, ROHS
ELECTRICAL	
Power Requirements	DC 12V
Power Consumption	LED OFF: 1.6W, 132mA LED ON: 3.36W, 255mA
MECHANICAL	
Material	Aluminum
Dimensions	Ø 80 x 79.8 mm (Ø 3.15 x 3.14 in)
Weight	0.83 lbs

*Specifications subject to change without notice.