



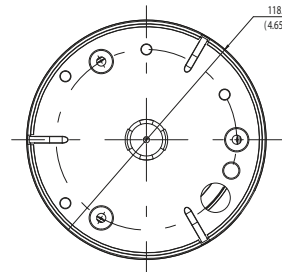
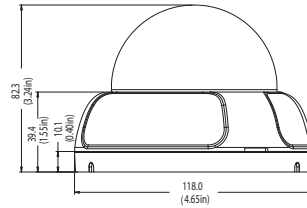
Affordability At Its Finest

Value Line Camera D362D

ideal for a wide range of video surveillance applications



Dimensions (Unit : mm)



Summary

The High Resolution Indoor Dome Camera D362D is the finest indoor dome camera with an affordable price. With its innovative features and sleek attractive design, the camera is ideal for a wide range of video surveillance applications. This electronic day/night camera offers a 2.8-11mm varifocal lens and powerful features like Dynamic Range Compressor, Highlight Masking Exposure, and Back Light Compensation. All the camera's functions can be easily programmed with its built-in joystick and on-screen display.

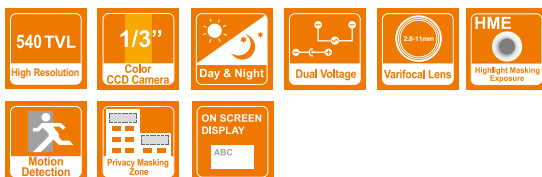
Features

- 1/3" CCD
- High Resolution 540 TV Lines
- 2.8~11mm Varifocal Auto Iris Lens
- Electronic Day and Night
- DRC (Dynamic Range Compressor)
- HME (Highlight Masking Exposure)
- SLC (Side Light Compensation)
- AGC (Auto Gain Control)
- BLC (Back Light Compensation)
- AWB (Auto White Balance)
- Mirror
- Programmable Privacy Zone (4) & Motion Detection
- Easy Icon Driven OSD Menu with Built-in Joystick
- Secondary Video-BNC Output
- Auto-Sensing 24VAC/12VDC with Line Lock
- Video Test Output Included

Specifications

Model		DWC-D362D
Camera TYPE		Day/Night Indoor Dome Camera
Image	Device	1/3" CCD
	Pixels – Total	811 (H) X 508 (V)
	Pixels – Effective	768 (H) X 494 (V)
Min. Scene Illumination	Color	F1.2, 30IRE: 0.1 Lux
	B/W	F1.2, 30IRE: 0.001 Lux
Features	Shutter Speed	1/60s ~ 1/100,000s
	DRC (Dynamic Range Compressor)	OFF / ON
	HME (Highlight Masking Exposure)	OFF / ON
	BLC (Backlight Compensation)	OFF / ON
	SLC (Side Light Compensation)	OFF / ON
	Privacy Zone	4 Programmable Zones
Lens	Focal Length	2.8-11mm
Resolution	Horizontal	540 TV Lines [Color] 580 TV Lines [B/W]
Sync System		Internal/External
S/N Ratio		50dB
Gamma		0.45
Environmental Conditions	Operating Temperature	-10°C ~ 50°C (14°F ~ 122°F)
	Operating Humidity	Under 90%
	Storage Temperature	-20°C ~ 70°C (-4°F ~ 158°F)
Power	Requirement	12VDC (10V-16V) 24VAC (20V-28V)
	Consumption	12VDC: 1.8W, 150mA 24VAC: 1.8W, 75mA
Physical Specification	Dimensions	118.0 X 82.3 mm (4.65 X 3.24 in)
	Weight	0.49lbs

(*) Specification is subject to change without prior notice.





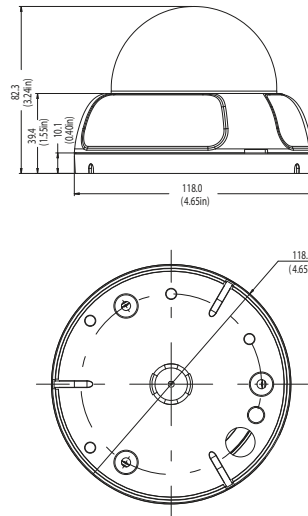
Affordability At Its Finest

Value Line Camera D362DIR

ideal for a wide range of video surveillance applications



Dimensions (Unit : mm)

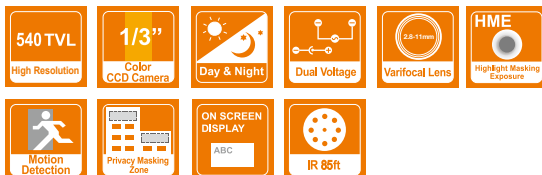


Summary

The High Resolution Indoor Dome Camera D362DIR is the finest indoor dome camera with an affordable price. With its innovative features and sleek attractive design, the camera is ideal for a wide range of video surveillance applications. This electronic day/night camera offers a 2.8-11mm varifocal lens and 85ft Range IR with powerful features like Dynamic Range Compressor, Highlight Masking Exposure, and Back Light Compensation. All the camera's functions can be easily programmed with its built-in joystick and on-screen display

Features

- 1/3" CCD
- High Resolution 540 TV Lines
- 2.8~11mm Varifocal Auto Iris Lens
- 85ft Range IR with Intelligent Camera Sync
- Electronic Day and Night
- DRC (Dynamic Range Compressor)
- HME (Highlight Masking Exposure)
- SLC (Side Light Compensation)
- AGC (Auto Gain Control)
- BLC (Back Light Compensation)
- AWB (Auto White Balance)
- Mirror
- Programmable Privacy Zone (4) & Motion Detection
- Easy Icon Driven OSD Menu with Built-in Joystick
- Secondary Video-BNC Output
- Auto-Sensing 24VAC/12VDC with Line Lock
- Video Test Output Included



Specifications

Model		DWC-D362DIR
Camera TYPE		Day/Night Indoor Dome Camera
Image	Device	1/3" CCD
	Pixels – Total	811 (H) X 508 (V)
	Pixels – Effective	768 (H) X 494 (V)
Min. Scene Illumination	IR-LED ON	0.0 Lux
	Shutter Speed	1/60s ~ 1/100,000s
Features	DRC (Dynamic Range Compressor)	OFF / ON
	HME (Highlight Masking Exposure)	OFF / ON
	BLC (Backlight Compensation)	OFF / ON
	SLC (Side Light Compensation)	OFF / ON
	Privacy Zone	4 Programmable Zones
Lens	Focal Length	2.8-11mm
	IR Length	85ft Range IR
Resolution	Horizontal	540 TV Lines [Color] 580 TV Lines [B/W]
	Sync System	Internal/External
S/N Ratio		50dB
Gamma		0.45
Environmental Conditions	Operating Temperature	-10°C ~ 50°C (14°F ~ 122°F)
	Operating Humidity	Under 90%
	Storage Temperature	-20°C ~ 70°C (-4°F ~ 158°F)
Power	Requirement	12VDC (10V-16V) 24VAC (20V-28V)
	Consumption	12VDC: 1.8W, 150mA / 4.2W, 350mA (LED ON) 24VAC: 1.8W, 75mA / 3.9W, 162.5mA (LED ON)
Physical Specification	Dimensions	118.0 X 82.3 mm (4.65 X 3.24 in)
	Weight	0.54lbs

(*) Specification is subject to change without prior notice.