



DWC-MB62DiVT



Default Login Information: admin | admin

WHAT'S IN THE BOX

Torque wrench		1	Quick setup guide		1
Screws and plastic anchors-4pcs		1 Set	Moisture absorber and absorber guide		1
Mounting template		1	Sunshield cover and adjusting screws		1
cap and gasket		1			

**NOTE:** Download all your support materials and tools in one place

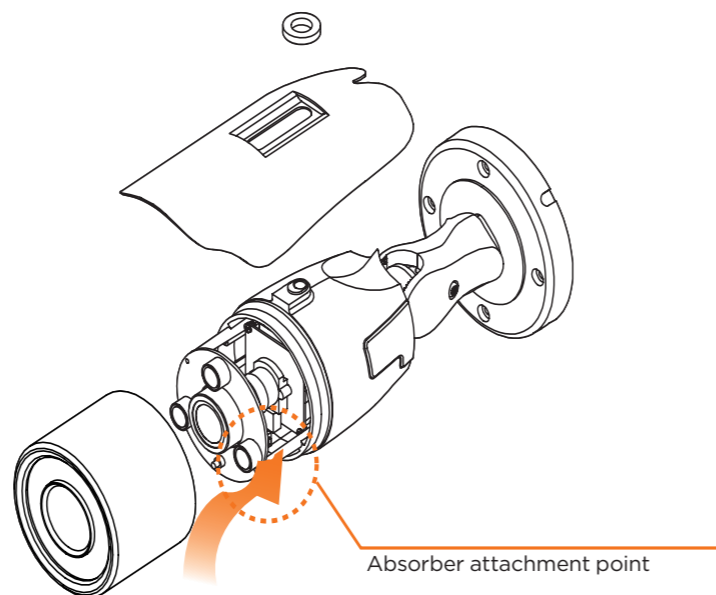
- Go to: <http://www.digital-watchdog.com/resources>
- Search your product by entering the part number in the 'Search by Product' search bar. Results for applicable part numbers will populate automatically based on the part number you enter.
- Click 'Search'. All supported materials, including manuals and quick start guide (QSGs) will appear in the results.



**Attention:** This document is intended to serve as a quick reference for initial set-up. It is recommended that the user read the entire instruction manual for complete and proper installation and usage.

STEP 1 - PREPARING TO MOUNT THE CAMERA

- The mounting surface must withstand five times the camera weight.
- Do not let the cables get caught in improper places or the electric line cover can be damaged. This may cause a short or fire.
- Install the moisture packet in the base of the camera's lens.
  - Remove the moisture absorber from the packaging.
  - Cut the card and folder along the dotted line.
  - Place the moisture absorber behind the camera's lens module. See drawing for more information.



**✂** Please cut the card type absorber along a dotted line, overlap and attach them according to the direction of the arrow.

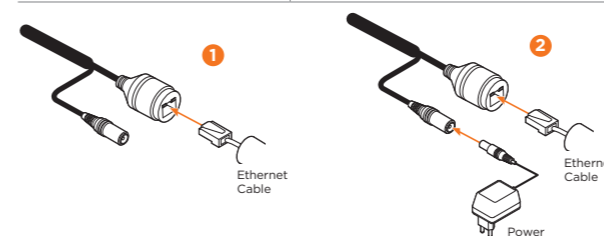
- Using the mounting template sheet or the camera itself, mark and drill the necessary holes in the wall or ceiling.

STEP 2 - CABLING THE CAMERA TO EXTERNAL DEVICES

Pass the wires through the mount bracket and make all necessary connections.

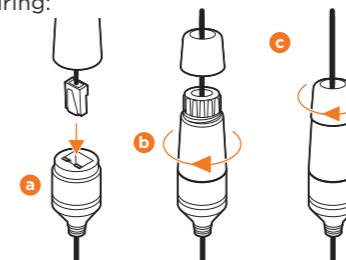
- NETWORK CONNECTIONS** - If you are using a PoE Switch, connect the camera using an Ethernet cable for both data and power.
- NETWORK CONNECTIONS** - If you are using a non-PoE switch, connect the camera to the switch using an Ethernet cable for data transmission and use a power adapter to power the camera.

Power requirements	Power consumption
DC 12V, PoE (IEEE 802.3af Class 3). (Adapter not included)	DC12V: max 5.2W PoE: max 7.0W



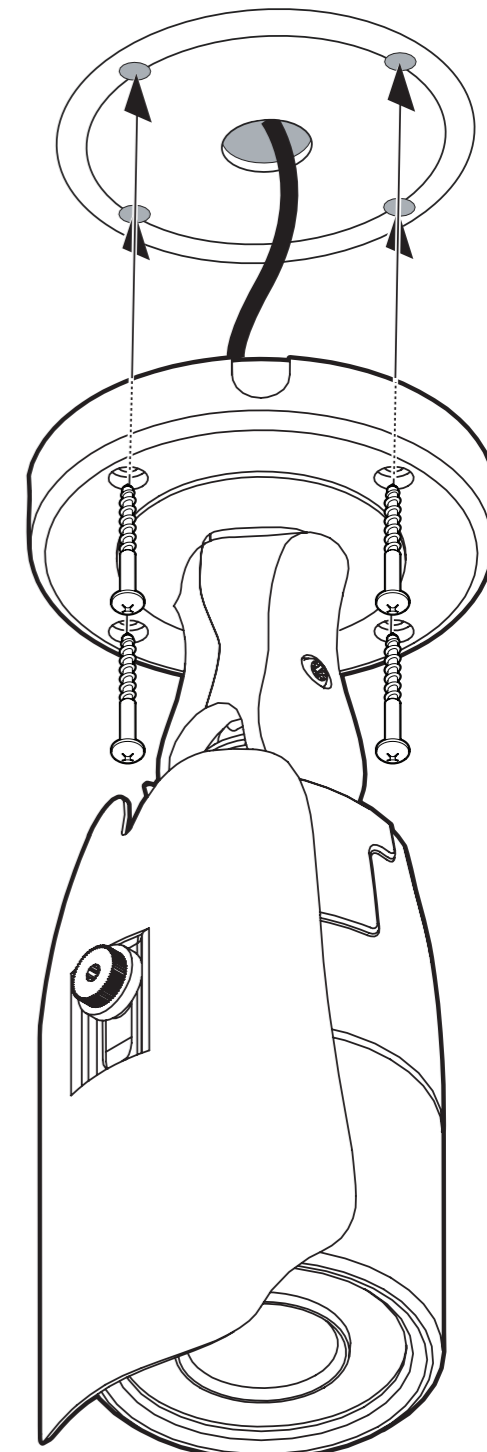
STEP 3 - INSTALLING THE CAMERA

- Attach the main body to the mount bracket by tightening the lock screw.
- For soft installation surfaces, use the included metal mount plate. Fix the mount plate on the mounting surface using the included screws. Then, press the bottom case onto the mount plate. The three bezels on the case will align and snap lock onto the plate.
- To use the camera's water proof wiring:
  - Install the LAN cable into **a**.
  - b** will be assembled to **a** with a 1/4 turn.
  - Thread **c** tightly to **b**.



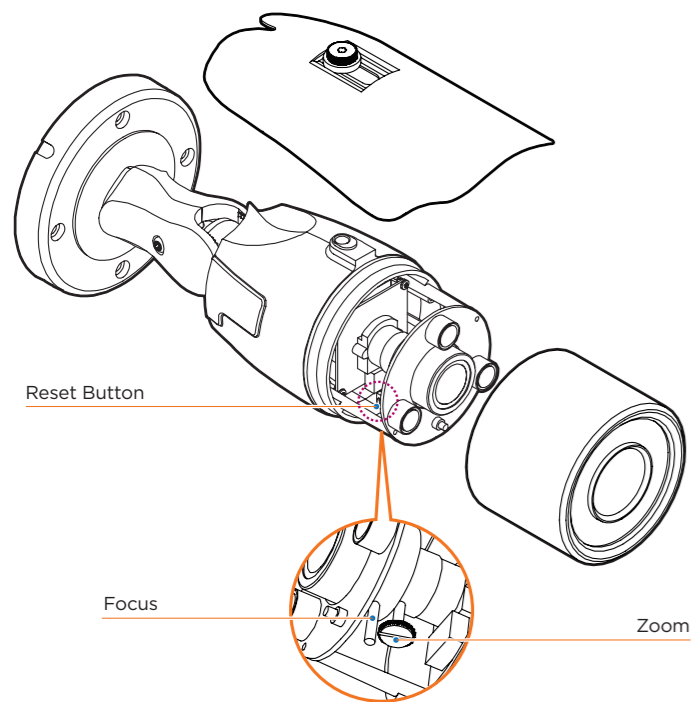
**NOTE:** To ensure moisture seal, make sure the o-ring is in place between **a** and **b**. In extreme environments use of an outdoor rated sealer is recommended.

**NOTE:** When using the waterproof cap, crimp the RJ45 connector after passing the cable through the waterproof cap.



### STEP 3 - INSTALLING THE CAMERA (CONT.)

- Adjust the camera's pan, tilt and position to achieve the desired view. The cameras' max angles are:  
Pan: 0° - 360°  
Tilt: 0° - 90°  
Rotation: 0° - 360°
- To adjust the camera's focus and zoom:
  - Remove the sunshield and front case from the camera by rotating it counter-clockwise.
  - Unlock the zoom or focus screws by rotating them counter-clockwise.
  - Adjust the zoom and focus screws at the base of the camera module to achieve a clear image.
  - Tighten the screws and close the front case by rotating it clockwise.
- Once the installation is complete, remove the protective film from the camera's dome cover.
- Assemble the dome cover over the camera body and detach the protecting film from the dome bubble.



**Resetting the camera:** To reset the camera, use the tip of a paper clip or a pencil and press the reset button. Pressing the button for five (5) seconds will initiate a camera-wide reset of all the settings, including network settings.

### STEP 6 - DW IP FINDER™

Use the DW IP Finder™ software to scan the network and detect all MEGApix® cameras, set the camera's network settings or access the camera's web client.

Thumbnail view

Select network to scan

Filter results

Scan network

Show/hide thumbnail view

Refresh thumbnail view

Bulk IP assignment

Bulk password assignment

Firmware upgrade

DHCP status

Firmware version

Camera's uptime

Open IP configuration settings

Ping camera

Port information

Gateway address

Netmask address

Camera's MAC address

Part number

Camera's IP address

Camera's name

Name	IP Address	Model	MAC Address	Netmask	Gateway	Port	DHCP	Version	Ping Test	IP Conf.	Uptime
DWC-MP-Z30X	192.168.50.34	DWC-MP-Z30X	00:07:0A:19:10:1A	255.255.255.0	192.168.150.1	80	Disabled	1.9.94-X2_release	Ping	Click	
DWC-MV-4WA	192.168.50.40	DWC-MV-4WA	00:0D:F1:21:53:8F	255.255.255.0	192.168.150.1	80	Disabled	A2.01.02_20180619	Ping	Click	28day 14hrs 2mins
DWC-PZ-1M69T	192.168.50.41	DWC-PZ-1M69T	00:0D:F1:21:29:21	255.255.255.0	192.168.150.1	80	Disabled	A5.01.03_20180403	Ping	Click	39day 15hrs 54mins
DWC-PV-16W4	192.168.50.42	DWC-PV-16W4	00:0D:F1:21:5C:AD	255.255.255.0	192.168.150.1	80	Disabled	C2.01.01_20180309	Ping	Click	56day 16hrs 4mins
DWC-PF-41TR	192.168.50.61	DWC-PF-41TR	00:0A:61:1A:00:14	255.255.255.0	192.168.150.1	80	Disabled		Ping	Click	--
DWC-PV-16W4	192.168.150.62	DWC-PV-16W4	00:0A:61:1A:26:E7	255.255.255.0	192.168.150.1	80	Disabled		Ping	Click	--
DWC-MF-4WA	192.168.150.63	DWC-MF-4WA	00:0D:F1:20:FB:60	255.255.255.0	192.168.150.1	80	Disabled	A2.01.02_20180619	Ping	Click	28day 14hrs 0mins

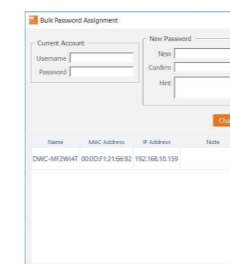
#### Network Setup

- To install the DW IP Finder™, go to: <http://www.digital-watchdog.com>
- Enter "DW IP Finder" on the search box at the top of the page.
- Go to the "Software" tab on the DW IP Finder™ page to download the installation file.
- Follow the installation to install the DW IP Finder™. Open the DW IP Finder™ and click 'Scan Devices'. It will scan the selected network for all supported devices and list the results in the table. During the scan, the DW® logo will turn gray.

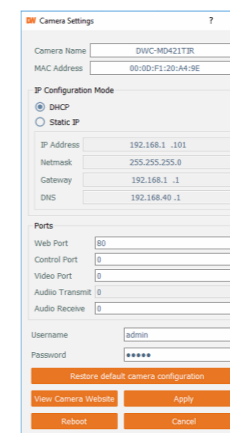
- Select DHCP to allow the camera to receive its IP address automatically from the DHCP server.
- Select "Static" to manually enter the camera's IP address, (Sub) Netmask, Gateway and DNS information.  
\* The camera's IP must be set to Static if connecting to Spectrum® IPVMS
- Contact your network administrator for more information.
- Default TCP/IP information: DHCP

- When connecting to the camera for the first time, a password must be set. To set up a password for your new camera:
  - Check the box next to your new camera from the IP Finder's search results. You can select multiple cameras.
  - Click "Bulk Password Assign" on the left.

- In the pop-up window, enter admin/admin in the current username and password fields. Enter a new username and password to the right.
- Press "change" to apply all changes.

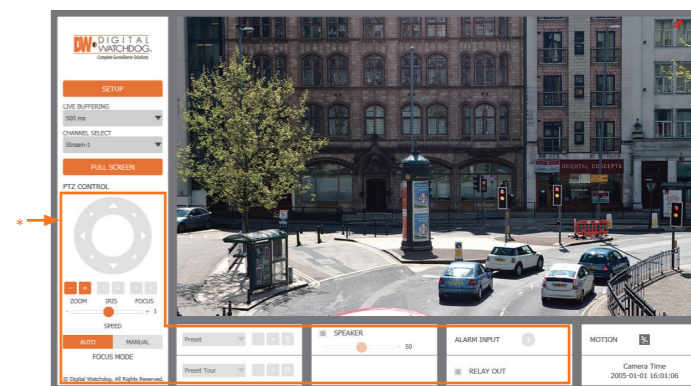


- Select a camera from the list by double-clicking on the camera's image or clicking on the 'Click' button under the IP Conf. column. The pop-up window will show the camera's current network settings, allowing admin users to adjust the settings as needed.
- To access the camera's web page, go to the IP Config page and click on 'View Camera Website'.
- To save the changes made to the camera's setting, input username and password of the camera and click Apply.



\*Port forwarding\* has to be set in your network's router for external access to the camera.

### STEP 5 - WEB VIEWER

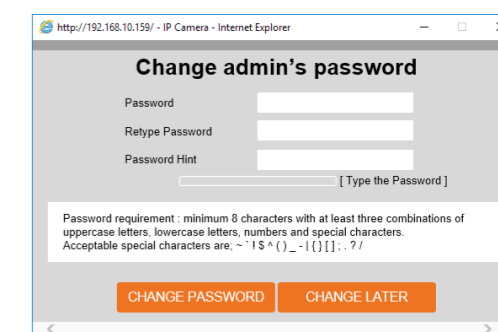


The GUI display may differ by camera models.

Once the camera's network settings have been setup properly, you can access the camera's web viewer using the DW IP Finder™.

To open the camera's web viewer:

- Find the camera using the DW IP Finder™.
- Double-click on the camera's view in the results table.
- Press the 'View Camera Website'. The camera's web viewer will open up in your default web browser.
- Enter the camera's username and password you setup in the DW IP Finder™. If you did not setup a new username and password via the DW IP Finder™, you will not be able to view video from the camera. A message will direct you to setup a new password for the camera in order to view video.



- When accessing the camera for the first time, install the VLC player for web files in order to view video from the camera.

**NOTE:** Some menu options may not be available based on the camera model. See the full manual for more information.

**NOTE:** Please see the full product manual for web viewer setup, functions and camera settings options.