

Micro Dome Camera

DWC-MC352

DWC-MC352-29

DWC-MC352DIR



ABOUT MANUAL

Before installing and using the camera, please read this manual carefully.
Be sure to keep it handy for future reference.

PRECAUTIONS

- Do not open or modify.
- Do not open the case except during maintenance and installation, for it may be dangerous and can cause damages.
- Do not put objects into the unit.
- Keep metal objects and flammable substances from entering the camera. It can cause fire, short-circuits, or other damages.
- Be careful when handling the unit.
- To prevent damages, do not drop the camera or subject it to shock or vibration.
- Do not install near electric or magnetic fields.
- Protect from humidity and dust.
- Protect from high temperature.
- Be careful when installing near the ceiling of kitchen or a boiler room, as the temperature may rise to high levels.
- Cleaning:
To remove dirt from the case, moisten a soft cloth with a soft detergent solution and wipe.
- Mounting Surface:
The material of the mounting surface must be strong enough to support the camera.

FCC COMPLIANCE

This equipment has been tested and found to comply with the limits for a Class B digital device, pursuant to part 15 of the FCC rules. These limits are designed to provide reasonable protection against harmful interference, when the equipment is operated in a residential environment. This equipment generates, uses, and radiates radio frequency energy; and if it is not installed and used in accordance with the instruction manual, it may cause harmful interference to radio communications.

WARNING: Changes or modifications are not expressly approved by the manufacturer.

TABLE OF CONTENTS

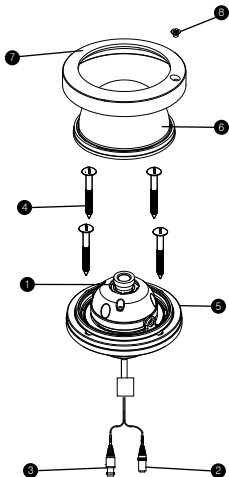
| | | |
|-----------------------------------|---------------------------------------|-------|
| Introduction ----- | Features ----- | 4 |
| | Parts and Descriptions ----- | 5 |
| | Dimensions ----- | 6 |
| Installation ----- | Inside the Box ----- | 7 |
| | Mount Installation Instructions ----- | 8-9 |
| | Connecting to Monitors ----- | 10 |
| | Adjusting the Camera's Position ----- | 11 |
| Troubleshooting ----- | | 12 |
| Warranty Information ----- | | 13-14 |
| Specifications ----- | | 15 |

FEATURES*

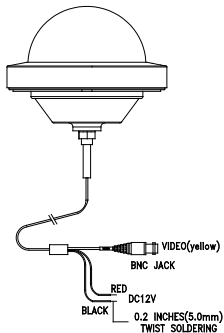
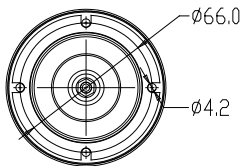
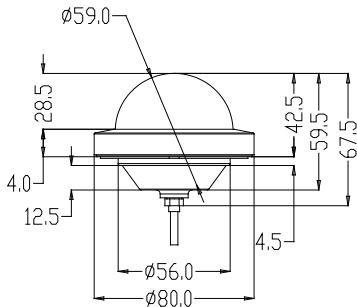
- 1/3" SHARP CCD
- 600 TV Lines (Color), 620 TV Lines (B/W)
- 3.6mm Fixed Iris Lens [MC352, MC1352DIR]
- 2.9mm Fixed Iris Lens [MC1532-29]
- 20ft IR Distance with Intelligent IR [MC1532DIR]
- Low Power Consumption (Max 0.7W)
- Enhanced Sensitivity 0.4 Lux F1.2
- 3D Gimbal for Easy Control
- Wide Operating Voltage (8VDC~18VDC)
- IP66 Certified
- 5 Year Warranty

PARTS & DESCRIPTION*

- ① Lens
- ② Power Input Connector
12VDC Voltage
- ③ Primary Video BNC Output Connector
- ④ Mounting Screws
- ⑤ Camera Module
- ⑥ Bubble Dome
- ⑦ Upper Case
- ⑧ Security Screw



DIMENSIONS IN MILLIMETERS (IN)*



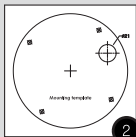
INSIDE THE BOX*

Included with Micor Indoor Dome Camera

- 1 User Manual
- 2 Mounting Template
- 3 4 Machine Screw and 4 Dry Wall Anchors
- 4 Miniature L-Key for Security Screw
- 5 L-Key



1



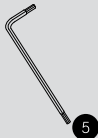
2



3

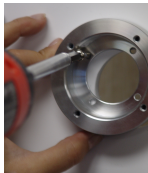
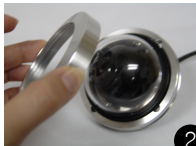
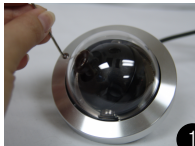


4



5

INSTALLATION*

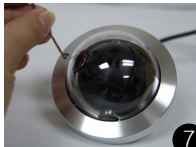
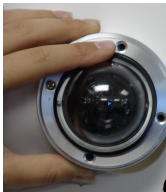


1. Remove the Security Screw from the Upper Case using the small L-Key.
2. Unscrew the upper case from the camera module by rotating it counter clock-wise.
3. Use the camera's mounting template or your camera to mark the holes as required. Drill into the drywall and insert the drywall mounts into the holes.
4. Pull wires through and make connections. (See page 10 for more information).
Mount the camera to the wall using the included machine screws.

INSTALLATION*

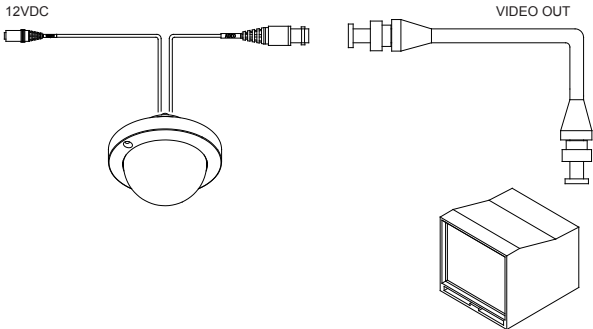


5. Adjust the camera's view (See page 11- CAMERA SETTINGS).
6. place the bubble dome on the camera.
Screw the cover dome back by rotating it clock-wise.
7. Tighten the Security screw back in place to firmly secure the cover dome to the camera module.



CONNECTIONS*

Use the diagram below to connect the camera to a Monitor or CRT Monitor properly.

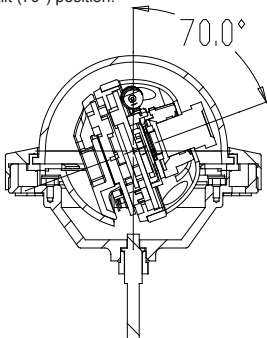


CAUTION :

Check for polarity when using a DC 12V.

LENS ADJUSTMENTS*

Adjust the camera's pan (360°) and tilt (70°) position.



TROUBLESHOOTING

Before sending your camera for repair, check the following or contact our technical specialist.

FOR NO VIDEO

Check the coaxial cable and make sure it is connected securely.

Check the lens' iris adjustment at the camera's OSD menu.

Check the power supply and make sure the camera has the proper voltage and current.

FOR OUT-OF-FOCUS VIDEO

Check the clear dome cover and the lens for dirt or fingerprints. Use a soft cloth and gently clean. Check the lens' manual focal and zoom adjustment. The use of a field test monitor is recommended.

WARRANTY INFORMATION*

Digital Watchdog (referred to as “the Warrantor”) warrants Camera Series against defects in materials or workmanship as follows.

LABOR : For the initial five (5) years and one (1) year on LED from the date of original purchase, if the camera is determined to be defective, the Warrantor will repair or replace the unit, with new or refurbished product at its option, at no charge.

PARTS : In addition, the Warrantor will supply replacement parts for the initial five (5) years and one (1) year on LED.

To obtain warranty or out of warranty service, please contact a Technical Support Representative at **1-866-446-3595** Monday through Friday from 8:30AM to 8:00PM Eastern.

A purchase receipt or other proof of the original purchase date is required before warranty service is rendered. This warranty only covers failures due to defects in materials and workmanship which arise during normal use. This warranty does not cover damage that occurs in shipment or failures caused by products not supplied by the Warrantor or failures which result from accident, misuse, abuse, neglect, mishandling, misapplication, alteration, modification, faulty installation, set-up adjustments, improper antenna, inadequate signal pickup, maladjustment of consumer controls, improper operation, power line surge, improper voltage supply, lightning damage, rental use of the product or service by anyone other than an authorized repair facility or damage that is attributable to acts of God.



LIMITS AND EXCLUSIONS*

There are no express warranties except as listed above. The Warrantor will not be liable for incidental or consequential damages (including without limitation and damage to recording media) resulting from the use of these products, or arising out of any breach of the warranty. All express and implied warranties, including the warranties of merchantability and fitness for particular purpose, are limited to the applicable warranty period set forth above.

Some states do not allow the exclusion or limitation of incidental or consequential damages, or limitations on how long an implied warranty lasts, so the above exclusions or limitations may not apply to you. This warranty gives you specific legal rights, and you may also have other rights that vary from state to state.

If the problem is not handled to your satisfaction, then write to the Address listed on the back page.

Service calls which do not involve defective materials or workmanship as determined by the Warrantor in its sole discretion are not covered. Costs of such service calls are the responsibility of the purchaser.

SPECIFICATIONS*

| VIDEO | |
|-----------------------|--------------------------------------------------------------------------------|
| Image Sensor | 1/3" SHARP CCD |
| Total Pixels | 811 (H) x 508 (V), 411K Pixels |
| Effective Pixels | 800 (H) x 492 (V) |
| Lens | 3.6mm Fixed Iris Lens [MC1352DIR/ MC1352] 2.9mm Fixed Iris Lens [MC1352-29] |
| Frequency | 15.734KHz (H), 59.95Hz (V) |
| Video Output | VBS 1.0Vp-P (75 Load) |
| Horizontal Resolution | 620 TV Lines [B&W], 600 TV Lines [Color] |
| Minimum Illumination | F1.2 (30IRE): 0.14 Lux [Color] F1.2 (30IRE): 0.03 Lux [B&W] |
| S/N Ratio | 45dB |
| IR Distance | 20ft with Intelligent IR Filter [MC1352DIR] |
| ENVIRONMENTAL | |
| Operating Temperature | -10°C ~ 55°C (14°F ~ 131°F) |
| Operating Humidity | Less than 90% (Non-Condensing) |
| Storage Temperature | -20°C ~ 70°C (-4°F ~ 158°F) |
| ELECTRICAL | |
| Power Requirement | 12VDC |
| Power Consumption | Max 2.0 Watt |
| MECHANICAL | |
| Housing Material | Aluminum |
| Dimensions | 80 X 28mm (3.15x 2.31 in) |
| Weight | 0.4 lbs |

*Specification is subject to change without prior notice.



5436 W Crenshaw St. Tampa, FL 33634
Tel : 866-446-3595 / 813-888-9555
Fax : 813-888-9262
www.Digital-Watchdog.com
technicalsupport@dwcc.tv
Technical Support Hours : Monday-Friday
8:30am to 8:00pm EST